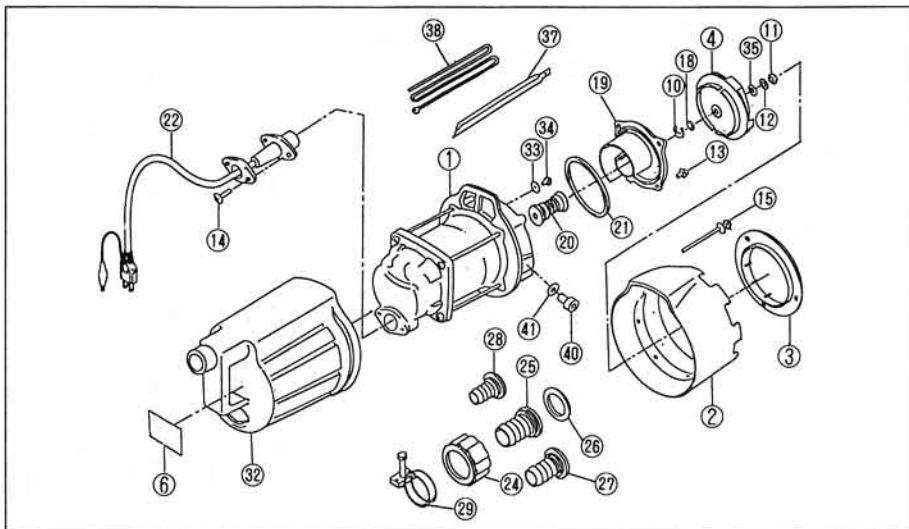


## PARTS LIST



No.	Parts Name	QTY	Material Specifications
1	FT-25 Motor Assy	1	
2	FT-25 Casing	1	
3	FT-25 Strainer	1	
4	Impeller	1	
5	FT-25 Casing Packing	1	CR+NBR Tetron Film
6	FT-25 Name Label	1	
7	Liquid Paraffin	1	130ml
8	SM-25 Ball	1	
9	Impeller Adjusting Washer	1	
10	Stop ring	1	
11	Hexagon Nut	1	M6 SUS
12	Tooth Washer A	1	#6 SUS
13	+Screw	4	M5×12 SUS
14	+Screw	2	M5×18 SUS
15	Tapping Screw	3	#5×82×29S-2 SUS
16	Tapping Screw	6	#5×22 SUS
17	Tapping Screw	3	SUS
18	SM-20 Impeller Collar	1	SUS
19	FT-25 Mechanical Box	1	ADC6
20	FT-25 Double Mechanical Seal	1	ED560-008
21	FT-25 Mechanical Packing	1	NBR

No.	Parts Name	QTY	Material Specifications
22	Power Cord	1	6m
23	FT Caution Label	1	T-0.05+LC
24	SM-25 Coupling	1	ABS(Black)
25	SM-25 Hose Nipple	1	ABS(Black)
26	SM-25 Coupling Packing	1	CR
27	SM-25 25×15 Hose Nipple	1	ABS(Black)
28	SM-25 25×20 Hose Nipple	1	ABS(Black)
29	Hose Band	1	#32
30	Hose Band	1	#26
31	Hose Band	1	#22
32	FT-25 Out Cover	1	ABS
33	SM Seal Ring	1	NBR
34	SM+Screw	1	M6×8 SUS
35	Washer	1	#6 SUS
36	SG-1 Earthing Stick	1	TCUP
37	SG-1 Earthing Wire	1	0.75×3m
38	+Screw	1	M4×10 BS
39	Hexagon Nut	1	M4 BS
40	PS-40 Socket Bolt	1	SUS M10×12
41	Seal Washer	1	#10



**HIGH PERFORMANCE SUBMERSIBLE PUMP, OPERATION MANUAL**

# PONDY FULLTIME

## FT-MODEL

Thank you for purchasing our KOSHIN submersible pump.  
Upon receipt, please check the following.

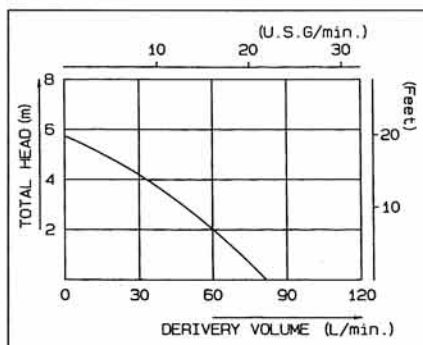
- Model is exactly what you have ordered.
- There is no damage made during transportation.
- Accessories are all supplied.

Please contact dealer if need further assistance.

**KOSHIN LTD.**

Please read manual before operation.

## PERFORMANCE CURVE



## SPECIFICARION

Model	FT-52522
Connection Dia.	25m/m(1")
Total Head	5.5m(18ft)
Delivey Volume	80L/min (21USG/min)
Frequency	50Hz
Rated Current	1.25A
Voltage	220V
Motor Out Put	100W
Motor Revolution	2800rpm(50Hz)
Motor Rating	Continuous
Motor Model	Condenser Induction Motor
Power Cord	4m
Standard Accessories	Coupling 1 Coupling Packing 1 Hose Nipple (25 x 15) 1 Hose Nipple (25 x 20) 1 Hose Nipple (25 x 25) 1 Hose band φ22 1 Hose band φ26 1 Hose band φ32 1



**KOSHIN LTD.**

12, Kami-Hachinotsubo, Kotari, Nagaokakyo city, Kyoto, Japan

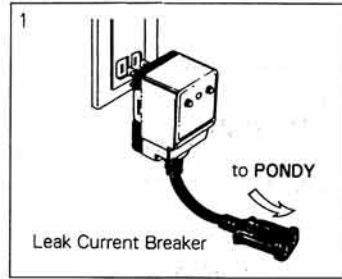
Tel 075-954-6111

Fax 075-955-1927

## Caution

### 1. Leak current breaker

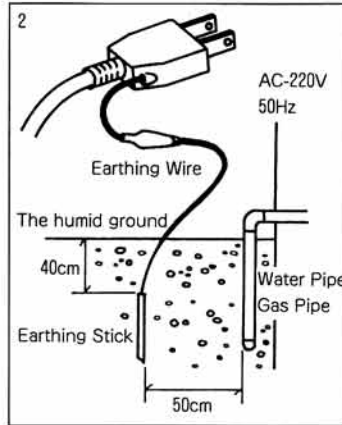
To ensure safety, especially for home application, use **PONDY** with leak current breaker. Leak current breaker is available as an option and is sold separately.



### 2. Power source

a. Ensure pump supplied is in appropriate voltage to your country's power source. FT-52522 for 220V.

b. For safety, cabtyre cord is provided with an earthing grip. Ensure the grip is earthed.



### 3. Application

a. The pump is designed for clean water application. However should it be used for other situations, do NOT place pump at the bottom of tank / pond. This will prevent excessive mud or sand from entering into the pump. Muddy or sandy water will affect performance of the pump.

b. Do not use pump for oil, sea water, strong alkaline or acidic solutions or any type of agricultural chemicals.



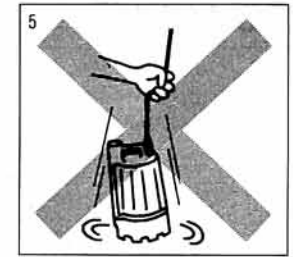
### 4. Running dry

Prevent dry pumping at all times. Always place pump at the deepest end of the tank / pond.



### 5. Handling of the pump

Never handle the pump by its cable. Use the handle provided. Should the pump be installed in deep position, attach a rope to the handle.

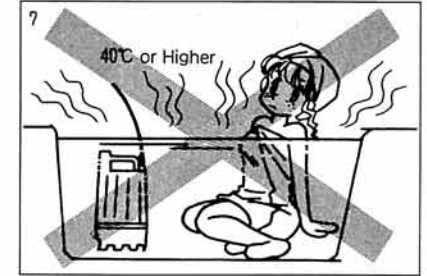


### 6. Power cord

Select an appropriate cord size for cabtyre cord extension. The joint should not be submerged in the water.

### 7. Bathe usage

No one should be in the water while the pump is in operation. Temperature of water should not exceed 40°C.



## Care for your pump

1. In cold regions where frosting occurs, do not leave water inside the pump if not in operation. Remove pump from tank/pond and drain out the water.
2. Before storage, always thoroughly clean and dry the internal part of the pump.

## Solutions for possible operational failures

Problems	Causes	Solutions
Non-operation	Power may not be turned on.	Turn on the power.
	No connection or poor contact of cabtyre cable.	Repair is needed.
	Too low a voltage.	Correct the voltage.
	Impeller may be blocked.	Remove obstruction from impeller.
Failure during operation.	Impeller may be blocked.	Remove obstruction from impeller.
	Inadequate voltage	Correct the voltage.
Poor performance	Low voltage.	Correct the voltage.
	Hose may be bent or clogged.	Straighten up the hose or clean up the inside of the hose.
	Impeller may be worn off.	New impeller required.
	Too much residue inside the pump casing.	Open casing and clean up.
Stop operation due to leak current breaker.	The cabtyre may have a flaw.	Repair is needed.
	The cable joint is wet.	Dry the joint.