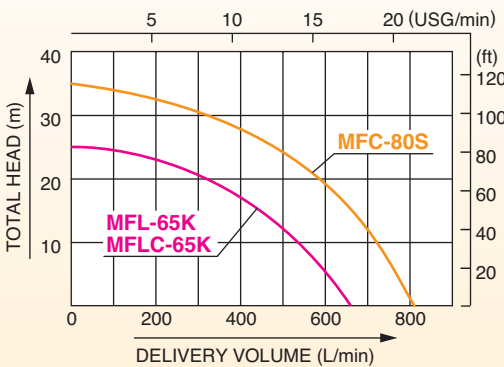
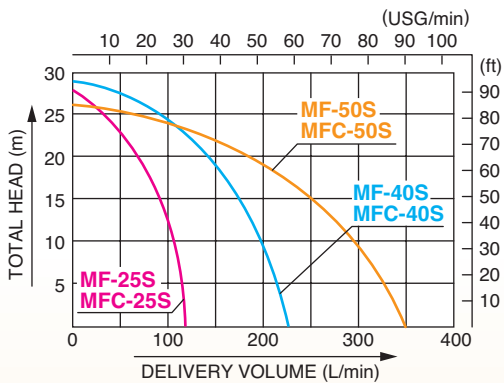


"REVOLVEX PUMPS" Flexible Rubber Impeller for Seawater



- Complete structure is manufactured from gunmetal, no rusting.
- START/STOP is easily controlled by pressing one switch. (MFC type)
- MFC type is fitted with electromagnetic clutch.
- Easy to replace rubber impeller.
- Self-priming.

Performance Curve



MF-25S



MFC-40S

For Seaweed Model Pumping Up Seaweed at Once, And Transferring it without Damage



- Adopted special impeller to avoid damage by seaweed.
- Special sleeve to transfer seaweed smoothly.

Applications

- Transfer seaweed from small boat to mother ship
- Built in for the machinery for seaweed
- Discharge of bilge water, emergency water discharge
- Washing a deck or hold



MFC-80S

Specifications

(*Products by order)

Model	MF-25S	MF-40S	MF-50S	MFC-80S*	MFLC-65K*	MFL-65K*
Connection Dia	25 mm (1")	40 mm (1½")	50 mm (2")	80 mm (3")	65 mm (2½")	
Connection Thread	Inner Pipe Thread					
Material	Bronze Castings (Gunmetal)					
Total Head	28 m (92 ft)	29 m (95 ft)	26 m (85 ft)	35 m (114 ft)	24 m (78 ft)	
Delivery Volume	115 L/min (30 USG/min)	215 L/min (56 USG/min)	350 L/min (92 USG/min)	820 L/min (216 USG/min)	650 L/min (171 USG/min)	
Output	1.5 kw (2.0 PS) / 1750 rpm		3.7 kw (5.0 PS) / 1750 rpm	7.5 kW (10.2 PS) / 1,750 rpm	5.5 kW (7.5 PS) / 1,750 rpm	
Number of Blades	9			13	6	
Driving Method	Belt Drive					
Revolution Direction	Anti-clockwise (Watching from Driving Shaft)					
Revolution	500 – 2300 rpm					
Shaft Dia	20 mm (¾")		25 mm (1")	Electromagnetic Clutch		25 mm (1")
Standard Accessory	Parallel Key					
Gross Weight	4.8 kg (10 lbs)	6 kg (13 lbs)	11.6 kg (25 lbs)	37 kg (81 lbs)	25 kg (55 lbs)	20 kg (44 lbs)
Dimensions LxWxH (mm)	240 x 142 x 183	260 x 158 x 191	342 x 162 x 214	420 x 230 x 265	450 x 224 x 270	450 x 224 x 270
Packing Unit	1					

Electromagnetic Clutch Specifications

*In case power is supplied by general purpose engine, choose MFC series (with clutch). (Need power source for clutch.)

*12V Clutch is available as option

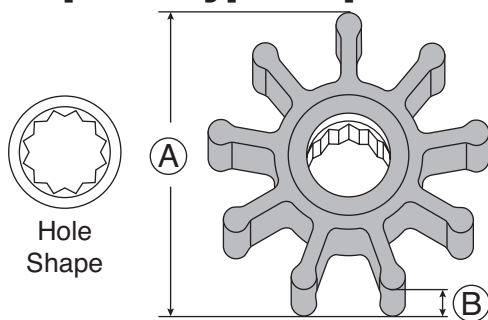
Model	MFC-25S	MFC-40S	MFC-50S
Pump	MF-25S	MF-40S	MF-50S
Voltage (Clutch)	DC 24 V		
Capacity (Clutch)	43 W		36 W
Pulley	φ 136.5 (B-1)		φ 130 (B-2)
Net Weight (Clutch)	7.6 kg	9.5 kg (21 lbs)	18.3 kg
Dimensions LxWxH (mm)	262 x 150 x 190	275 x 168 x 183	374 x 202 x 229
Packing Unit	1		

Model	MFC-80S MFLC-65K
Voltage	DC 24 V
Capacity	36 W
Pulley	φ 130

MF Series Impeller List

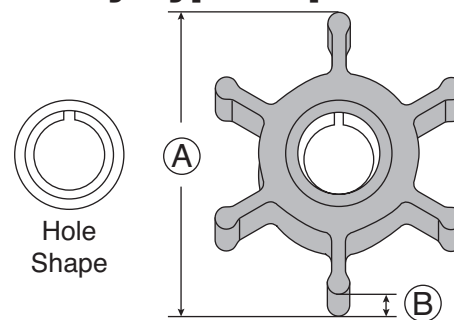
For "REVOLVEX PUMPS" & "RUBBER MASTER"

Spline Type Impeller



MF-25SRL (For MF-25S) (For Seawater)

Key Type Impeller



MFL-65KR (For MFL-65K, MFLC-65K) (For Seawater)

Model	MF-25S MFC-25S	MF-40S MFC-40S	MF-50S MFC-50S MFC-50SX	MFC-65K	MFL-65K MFLC-65K	MFC-80S	MF-40MS	MF-2524	MF-4024X
Application	Seawater							Oil	Seawater
Impeller Model	MF-25SRL	MF-40SRL	MF-50SRL	MF-65KR	MFL-65KR	MF-80SR	MF-40SRL	MF-2524KR	MF-2524KN
Ⓐ Outside Dia	80 mm	94 mm		128.5 mm		143 mm	94 mm	65 mm	90 mm
Ⓑ Thickness	54 mm	63 mm	95 mm	102 mm		105.4 mm	63 mm	41 mm	46 mm
Number of Blades	9			11	6	13	9	8	
Shape of Shaft	Spline			Key		Spline		Key	
Material	Chloroprene Rubber (Neoprene)							Nitrile Butyl Rubber	Chloroprene Rubber (Neoprene)

Long Durability "REVOLVEX PUMP with MOTOR" & "RUBBER MASTER"

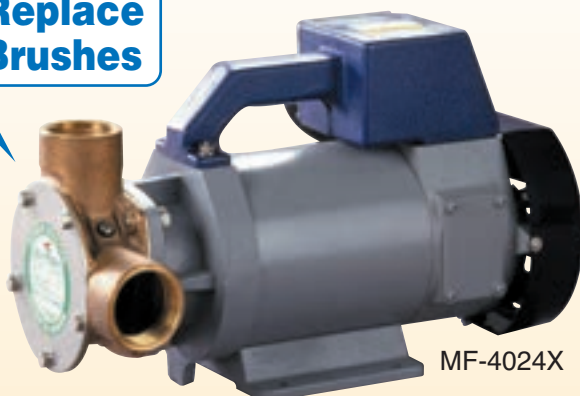
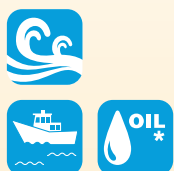
- Compact design and can be removed on the deck easily.
- Small and compact, but, large delivery volume for this class of pumps.
- They can be used continuously with motor fan.
- Dry prime pump, no need to prime with water, immediate suction.

**Easy to Remove
in The Ship**



MF-40MS

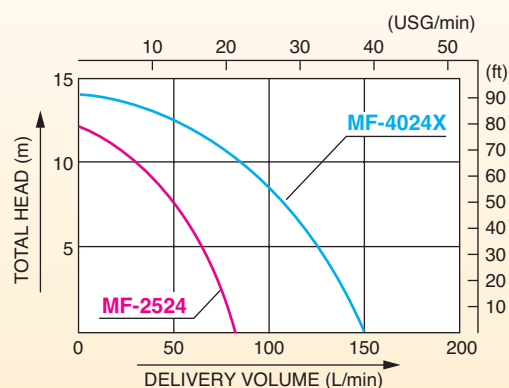
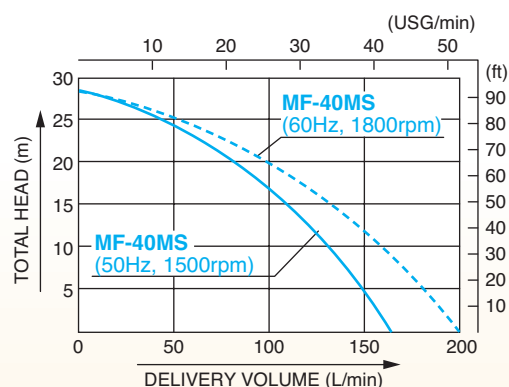
**Easy to Replace
Carbon Brushes**



MF-4024X

* To transfer fuel, please use special impeller for oil. (Impeller type : MF-2524KN)
Please refer to page 47.

Performance Curve



Specifications

Model		MF-40MS	MF-2524	MF-4024X
PUMP	Connection Dia	40 mm (1½")	25 mm (1")	40 mm (1½")
	Connection Thread	Inner Pipe Thread		
	Material	Bronze Castings (Gunmetal)		
	Total Head	29 m (95 ft)	9 m (29.5 ft)	14 m (45.9 ft)
	Max. Suction Lift	5 m (16 ft)	3.5 m (11 ft)	
MOTOR	Delivery Volume	60 Hz : 200 L/min (52 USG/min) 50 Hz : 170 L/min (44 USG/min)	80 L/min (21 USG/min)	150 L/min (39 USG/min)
	Voltage	Three Phase 200 V		DC 24V
	Current	6.8 A / 50 Hz, 6.0 A / 60 Hz		12 – 15 A
	Output	1.5 kW		250 W
	Power Cord	10 m (1.25 mm ²)	5 m (2 mm ²)	5 m (3.5 mm ²)
	Standard Accessories	1 Strainer, 1 Hose Band (φ48)	1 Strainer, 2 Connecting Nipples (φ25), 3 Hose Bands (φ32)	1 Strainer, 1 Hose Band (φ48)
	Gross Weight	24 kg (53 lbs)	8.3 kg (18.2 lbs)	22 kg (48 lbs)
	Dimensions L×W×H (mm)	488 × 244 × 344	315 × 213 × 238	420 × 220 × 280
	Packing Unit	1		