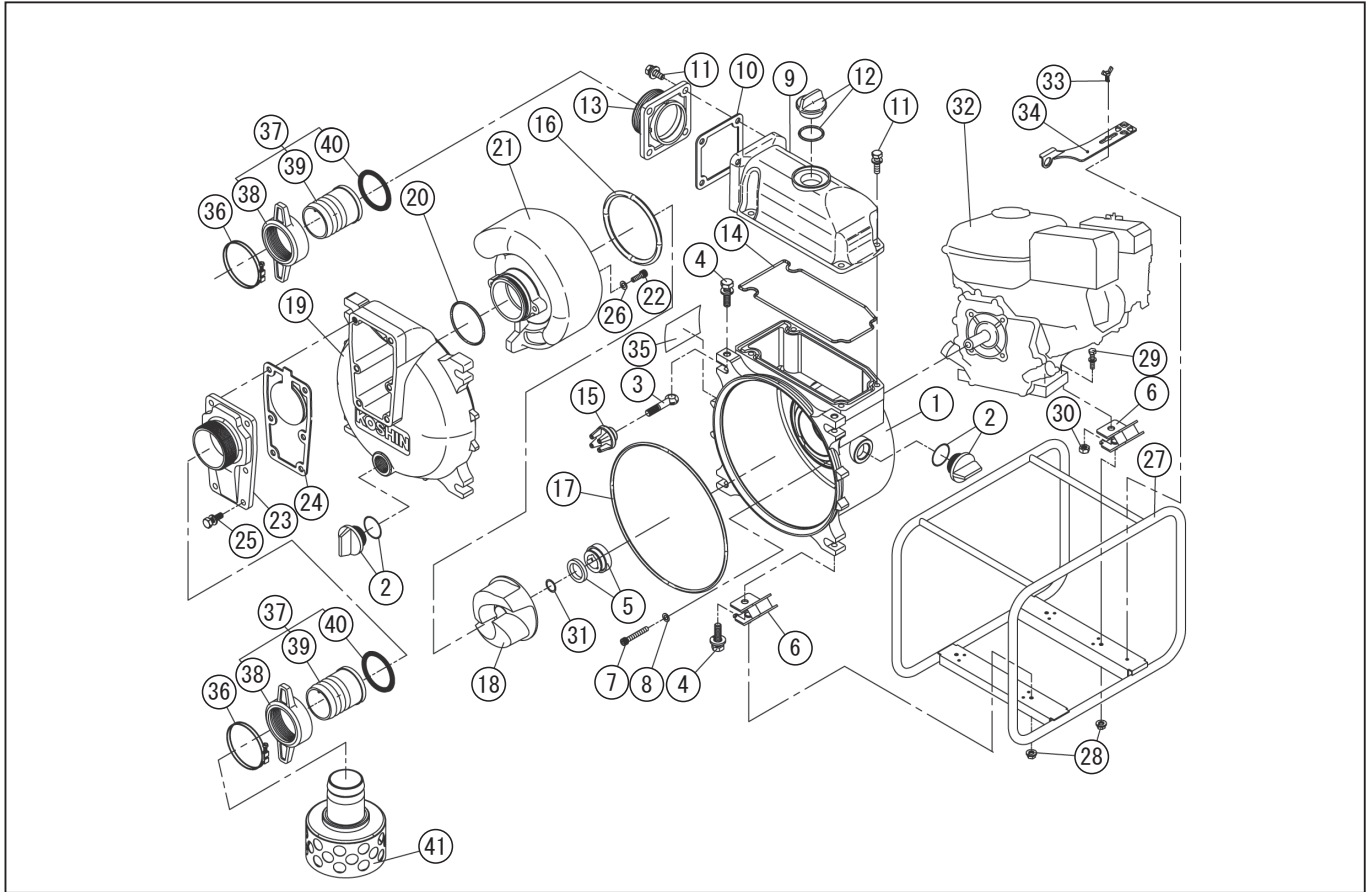


DWG No.012880302 MODEL : KTR-80X FORM : KTR-80X-BAE-0(EX27)

No.	PARTS CODE	PARTS NAME	QTY	MATERIAL/SIZE	REMARKS
1	0115546	PUMP HOUSING	1	ADC	
2	0118079	25A PLUG SET	2		
3	0115580	COVER BOLT	4	S35C	
4	743119083	HEXAGON BOLT	4	M12X45 SWRM	
5	0115678	MECHANICAL SEAL	1	EH791-25 SICXSIC	
6	0116172	CUSHION RUBBER	4	CR70°	
7	0116516	SOCKET BOLT	4	M8X55 SCM	
8	0116493	WASHER	4	φ 8	
9	0115547	DELIVERY HOUSING	1	ADC	
10	0110584	DELIVERY FLANGE PACKING	1	CR70°	
11	743119063	HEXAGON BOLT	8	M10X30 SWRM	
12	0118450	32A PLUG SET	1		
13	0115838	DELIVERY FLANGE	1	ADC	
14	0115548	HEAD PACKING	1	NBR70°	
15	0115590	KNOB	4		
16	0115578	CASING PACKING	1	NBR	
17	0115579	FRONT COVER PACKING	1	NBR	
18	0115558	IMPELLER	1	HRFC	
19	0115545	FRONT COVER	1	ADC	
20	0115676	O-RING	1	NBR	
21	0115559	VOLUTE CASING	1	FCD	
22	734505066	HEXAGON SOCKET BOLT	2	M8X25 SUS	
23	0111573	SUCTION FLANGE	1	ADC	
24	0115692	CHECK VALVE PACKING	1	NBR	
25	743119061	HEXAGON BOLT	6	M10X25 SWRM	
26	854255008	SEAL WASHER	2	φ 8	
27	0117817	BASE SET	1		
28	842319001	SPRING NUT	4	M8 SWRM	
29	743119067	HEXAGON BOLT	2	M10X40 SWRM	
30	827419010	HEXAGON NUT	2	M10 SWRM	



DWG No.012880302 MODEL : KTR-80X FORM : KTR-80X-BAE-0(EX27)

No.	PARTS CODE	PARTS NAME	QTY	MATERIAL/SIZE	REMARKS
31	0110081	IMPELLER ADJUSTING WASHER	3	T0.3	
32	0116764	ENGINE	1	ROBIN EX270D	
33	741305153	WING BOLT	1	FM8X15 SUS	
34	0115767	TOOL	1	SPC	
35	0116767	NAME PLATE	1		
36	940407090	HOSE BAND	3	3"	
37	0117028	COUPLING SET	2	ABS	
38	0114375	COUPLING	2	ABS	
39	0110301	HOSE NIPPLE	2	ABS	
40	0114378	COUPLING PACKING	2	NBR	
41	0110978	STRAINER	1	SPC	
	0116765	PACKING CASE	1		
	0116995	OPERATION MANUAL(E)	1		

◆ Bare engine can not be supplied