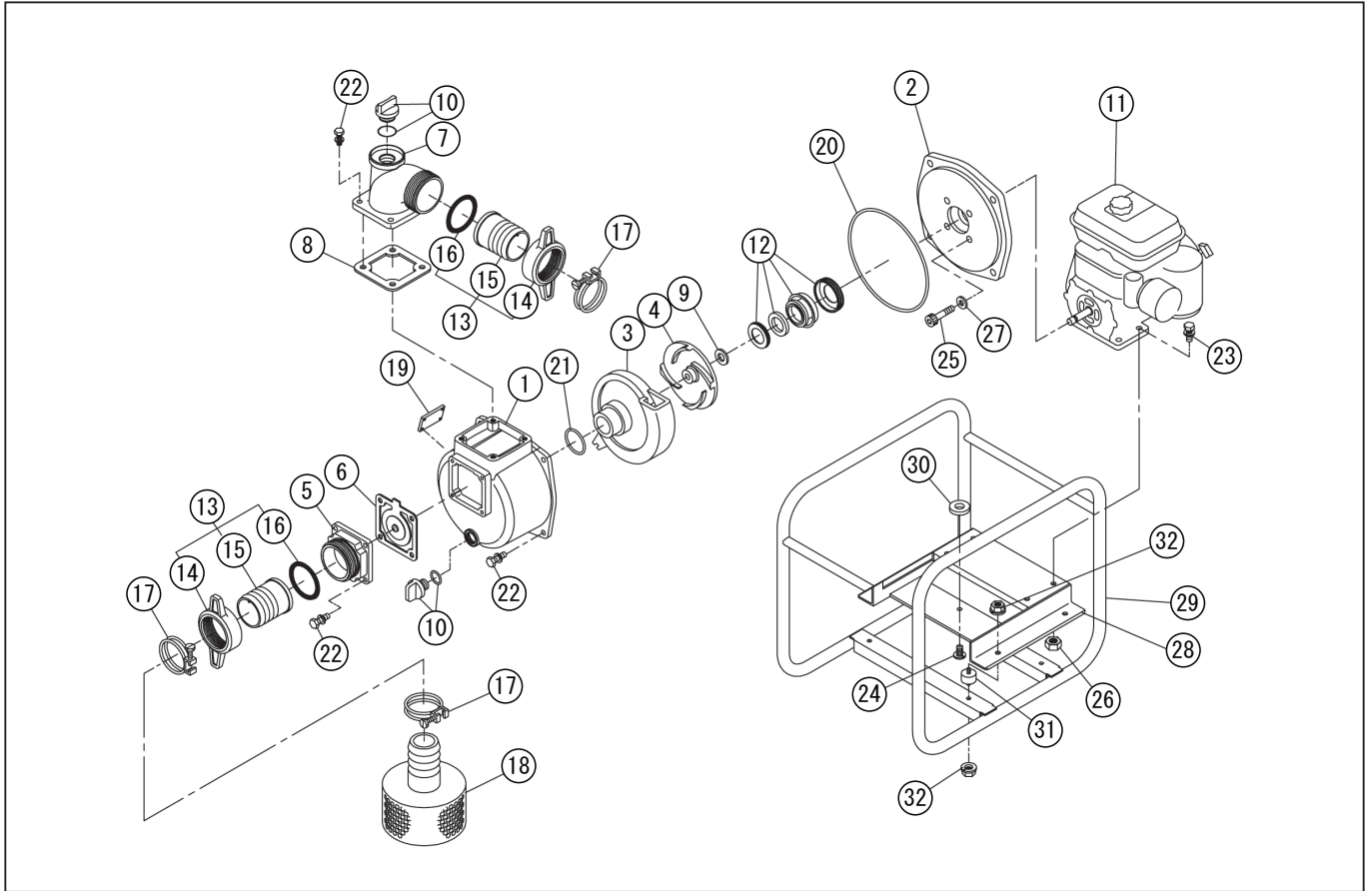


DWG No.012855707 MODEL : SE-100XD FORM : SE-100X-BAB-0 (DY27-2)

No.	PARTS CODE	PARTS NAME	QTY	MATERIAL/SIZE	REMARKS
1	0115691	PUMP CASING	1	ADC	
2	0115763	FLANGE BRACKET	1	ADC	
3	0110717	VOLUTE CASING	1	FC20	
4	0115664	IMPELLER	1	FC20	
5	0116188	SUCTION FLANGE	1		
6	0117363	CHECK VALVE	1		
7	0116187	DELIVERY FLANGE	1	ADC	
8	0110750	DELIVERY FLANGE PACKING	1	CR	
9	0110081	IMPELLER ADJUSTING WASHER	3	T0.3	
10	0118079	25A PLUG SET	2		
11	0114053	ENGINE	1	ROBIN DY272DD1010	
12	0115764	MECHANICAL SEAL	1	EH791-025	
13	0117639	COUPLING SET	2		
14	0116189	COUPLING	2	ADC	
15	0110471	HOSE NIPPLE	2	ADC	
16	0111478	COUPLING PACKING	2	NBR	
17	940019120	HOSE BAND	3	φ 120	
18	0111217	STRAINER SET	1	SPC	
19	0115808	NAME PLATE	1	T=0.05	
20	890455080	O-RING	1	1516-80 NBR	
21	889855090	O-RING	1	P90 NBR	
22	743119080	HEXAGON BOLT	12	M12X35 SWRM	
23	743119067	HEXAGON BOLT	4	M10X40 SWRM	
24	743119043	HEXAGON BOLT	1	M8X16 SWRM	
25	734532078	HEXAGON SOCKET BOLT	4	M8X70 SCM CS	
26	827419010	HEXAGON NUT	4	M10 SWRM	
27	854255008	SEAL WASHER	4	φ 8	
28	0117531	ENGINE BASE SET	1		
29	0118459	BASE SET	1		
30	0115923	RUBBER MOUNT	1	26×12×5	

◆ Bare engine can not be supplied



DWG No.012855707 MODEL : SE-100XD FORM : SE-100X-BAB-0 (DY27-2)

No.	PARTS CODE	PARTS NAME	QTY	MATERIAL/SIZE	REMARKS
31	0111963	CUSHION RUBBER	4	MED-40	
32	842319010	SPRING NUT	8	M10 SWRM	
	0115809	PACKING CASE	1		

◆ Bare engine can not be supplied