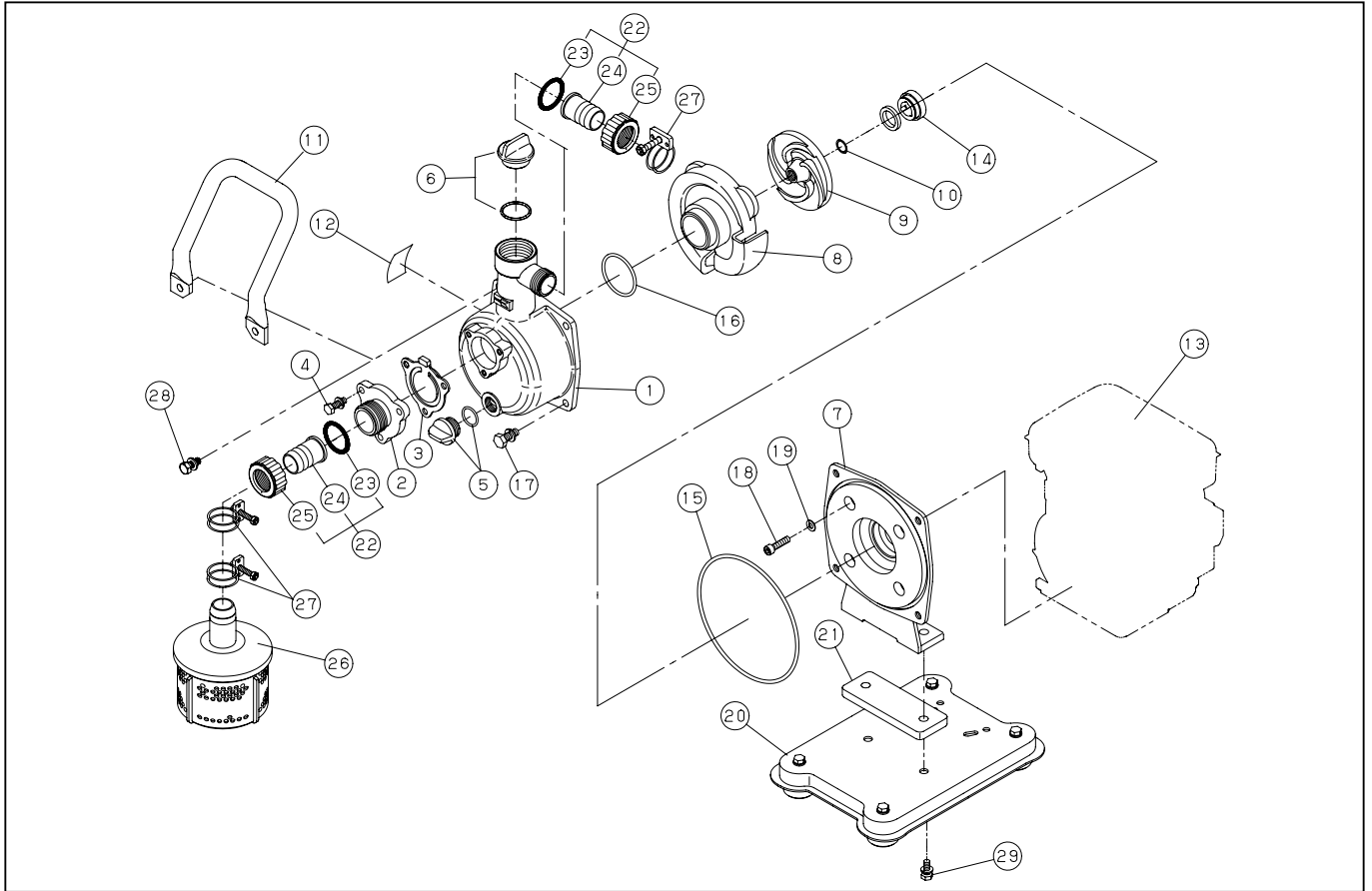


SE-25FH

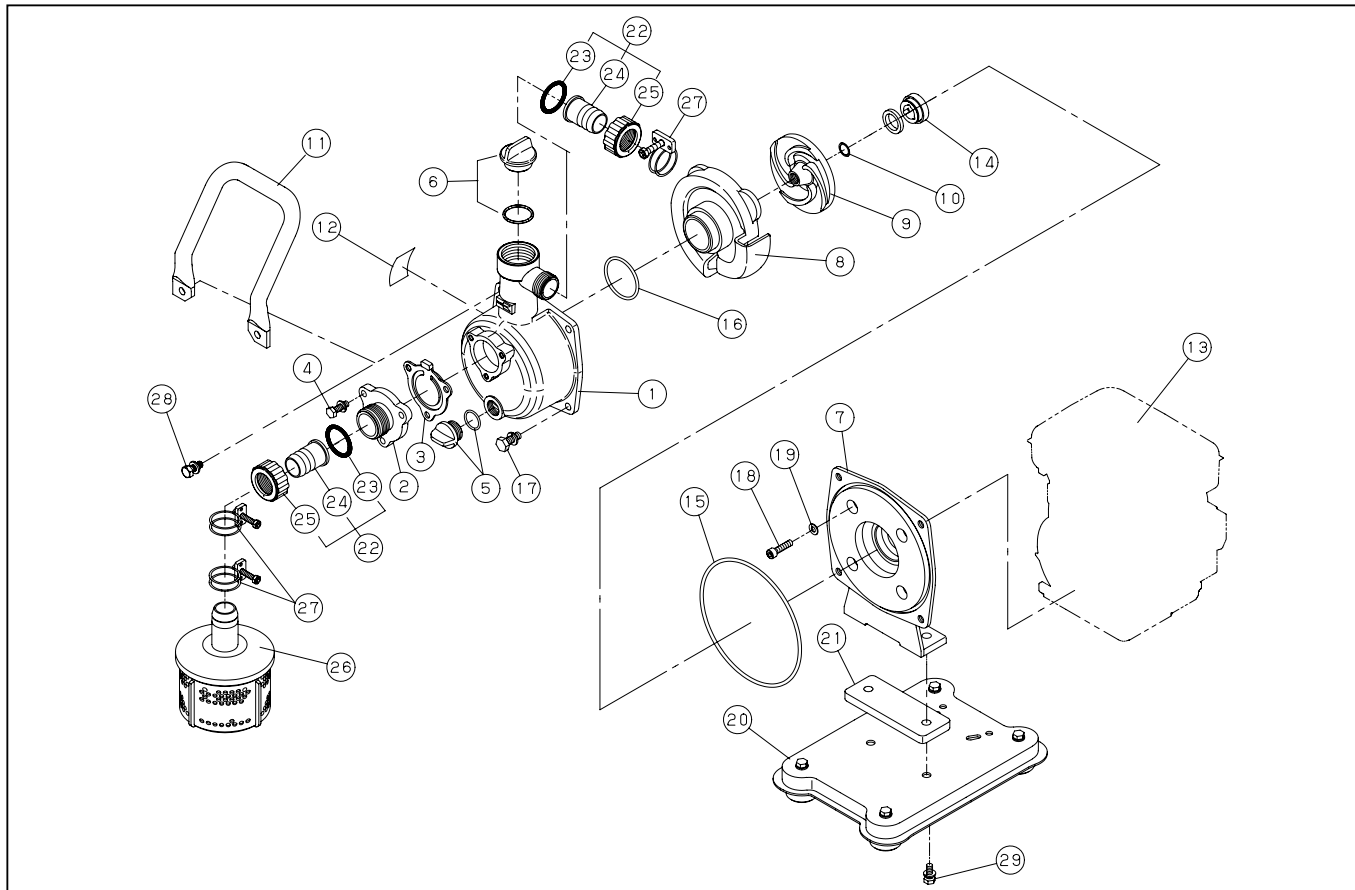


DWG No.012887501 MODEL:SE-25FH (EH035) FORM:SE-25FH-BAA-0

No.	PARTS CODE	PARTS NAME	QTY	MATERIAL	SIZE	REMARKS
1	011332903	PUMP CASING	1	ADC		
2	011332501	SUCTION FLANGE	1	ADC		
3	011332601	CHECK VALVE	1	NBR		
4	743119032	HEXAGON BOLT	3	SWRM	M6X20	
5	014801001	15A PLUG SET	1			
6	011845001	32A PLUG SET	1			
7	011025612	FLANGE BRACKET	1	ADC		
8	011025511	VOLUTE CASING	1	ADC		
9	012008101	IMPELLER	1	ADC		
10	011011401	IMPELLER ADJUSTING WASHER	3	BSP		
11	011427705	HANDLE	1	STKM		
12	012012501	NAME PLATE	1			
13	012012601	ENGINE	1	ROBIN		
14	011068503	MECHANICAL SEAL	1	BEH 790	φ 16	
15	890255031	O-RING	1	NBR	1517-31	
16	889855042	O-RING	1	NBR	P42	
17	743119045	HEXAGON BOLT	2	SWRM	M8X20	
18	734532057	HEXAGON BOLT	4	SCM	M6X40	
19	854255006	SEAL WASHER	4		φ 6	
20	011712602	BASE SET	1			
21	011648701	SPACER	1	SPC	T4.5	
22	034812401	COUPLING SET	2			
23	034006501	COUPLING PACKING	2	CR		
24	034078201	HOSE NIPPLE	2	ABS		
25	034078101	COUPLING	2	ABS		
26	011819301	STRAINER SET	1			
27	940019032	HOSE BAND	3		φ 32	
28	743119046	HEXAGON BOLT	2	SWRM	M8X22	
29	743119047	HEXAGON BOLT	2	SWRM	M8X25	
	012012701	PACKING CASE	1			

◆ Bare engine can not be supplied

# SE-25FH



DWG No.012887501 MODEL:SE-25FH (EH035) FORM:SE-25FH-BAA-0

No.	PARTS CODE	PARTS NAME	QTY	MATERIAL	SIZE	REMARKS
	011474102	CAUTION LABEL	1			
	011471806	CE MARK LABEL	1			
	011476001	ENGINE CAUTION LABEL C	1			
	011476201	ENGINE CAUTION LABEL E	1			
	011476301	ENGINE CAUTION LABEL F	1			
	011477804	OPERATION MANUAL	1			
	011481807	DECLARATION	1			
	011643201	EU NOISE LABEL	1			

◆ Bare engine can not be supplied