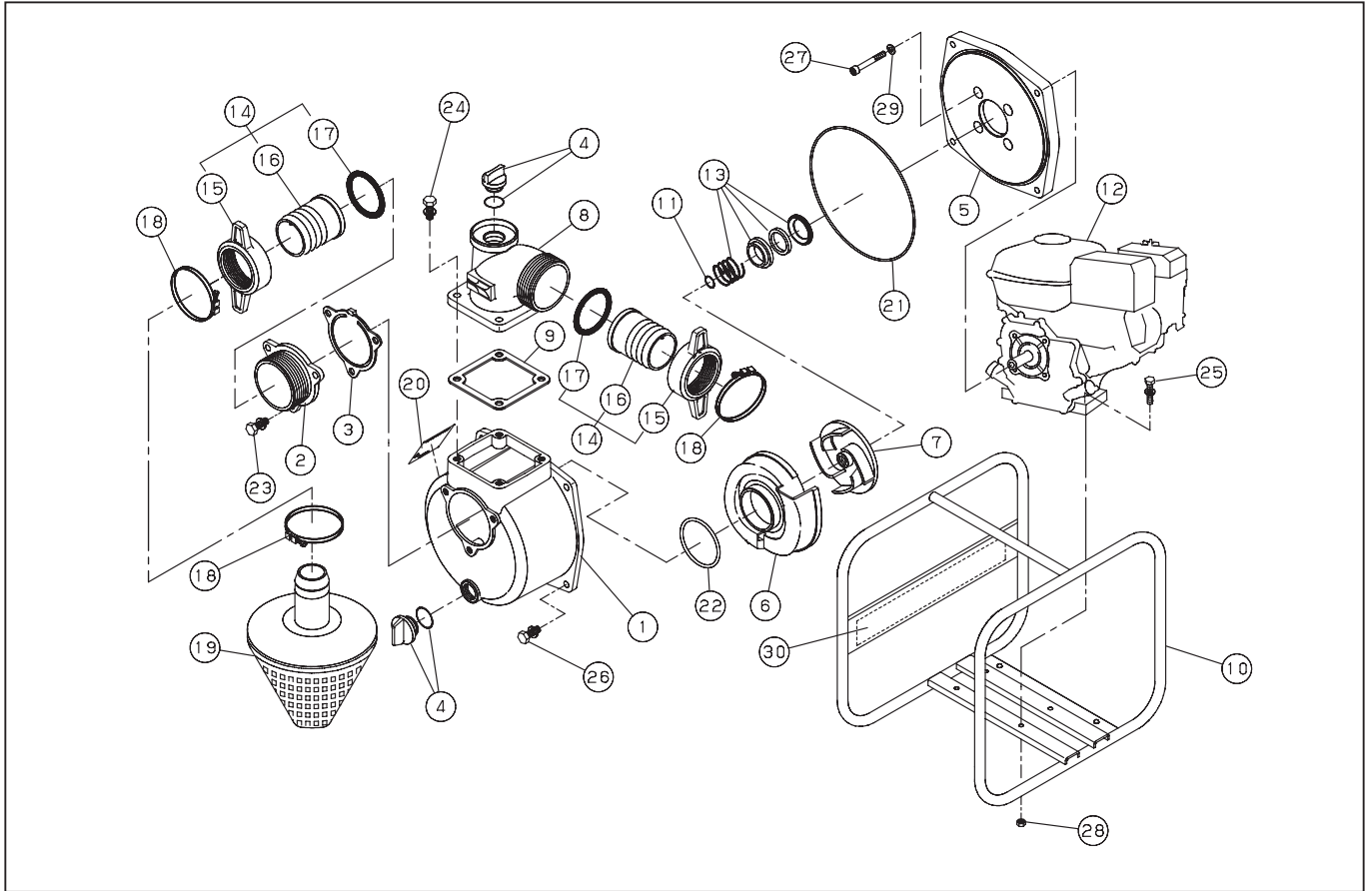


# SE-50X

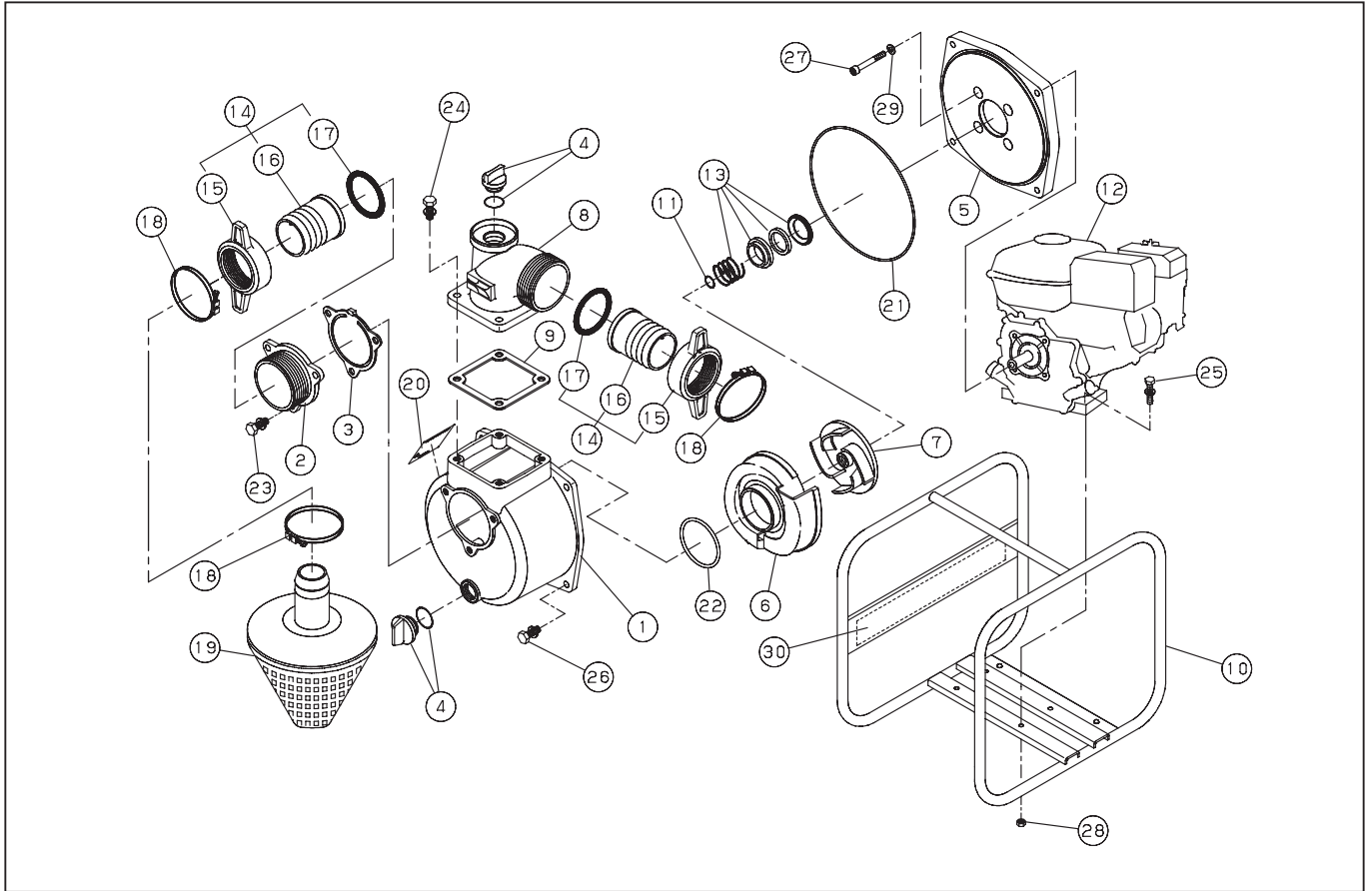


DWG No. 012870506 MODEL:SE-50X FORM:SE-50X-BCU-0

No.	PARTS CODE	PARTS NAME	QTY	MATERIAL	SIZE	REMARKS
1	012019502	PUMP CASE	1	ADC		
2	011266203	SUCTION FLANGE	1	ADC		
3	011266501	CHECK VALVE	1	NBR		
4	011002206	20A PLUG	2	PBT-1401		
5	011257905	FLANGE BRACKET	1	ADC		
6	011353303	VOLUTE CASING	1	ADC		
7	011353202	IMPELLER	1	FC-20		
8	011055605	DELIVERY FLANGE	1	ADC		
9	011054102	FLANGE PACKING	1	CR		
10	011797501	BASE SET	1			
11	011046601	ADJUSTING WASHER	3	BSP		
12	011633101	ENGINE	1	ROBIN EY 153D10020		
13	011068803	MECHANICAL SEAL	1	CARBON CERAMIC	φ 18	
14	011702603	COUPLING SET	2	ABS		
15	011339002	COUPLING	2	ABS		
16	011035605	HOSE NIPPLE	2	ABS		
17	011339101	COUPLING PACKING	2	NBR		
18	940019060	HOSE BAND	3		φ 60	
19	011815901	STRAINER	1	PP		
20	011634901	NAME PLATE	1			
21	011501401	O-RING	1	NBR	1517-42.5	
22	011279201	O-RING	1	NBR	P54	
23	743119045	HEXAGON BOLT	3	SWRM	M8X20	
24	743119047	HEXAGON BOLT	4	SWRM	M8X25	
25	743119051	HEXAGON BOLT	4	SWRM	M8X35	
26	743119046	HEXAGON BOLT	4	SWRM	M8X22	
27	734532076	HEXAGON SOCKET BOLT	4	SCM	M8X60	
28	827419008	HEXAGON NUT	4	SWRM	M8	
29	854255008	SEAL WASHER	4		φ 8	
30	012042802	SIDE PANEL LABEL	1			

◆ Bare engine can not be supplied

# SE-50X



DWG No. 012870506 MODEL:SE-50X FORM:SE-50X-BCU-0

No.	PARTS CODE	PARTS NAME	QTY	MATERIAL	SIZE	REMARKS
	011637003	PACKING CASE	1			
	011799901	OPERATION MANUAL SET	1			

◆ Bare engine can not be supplied