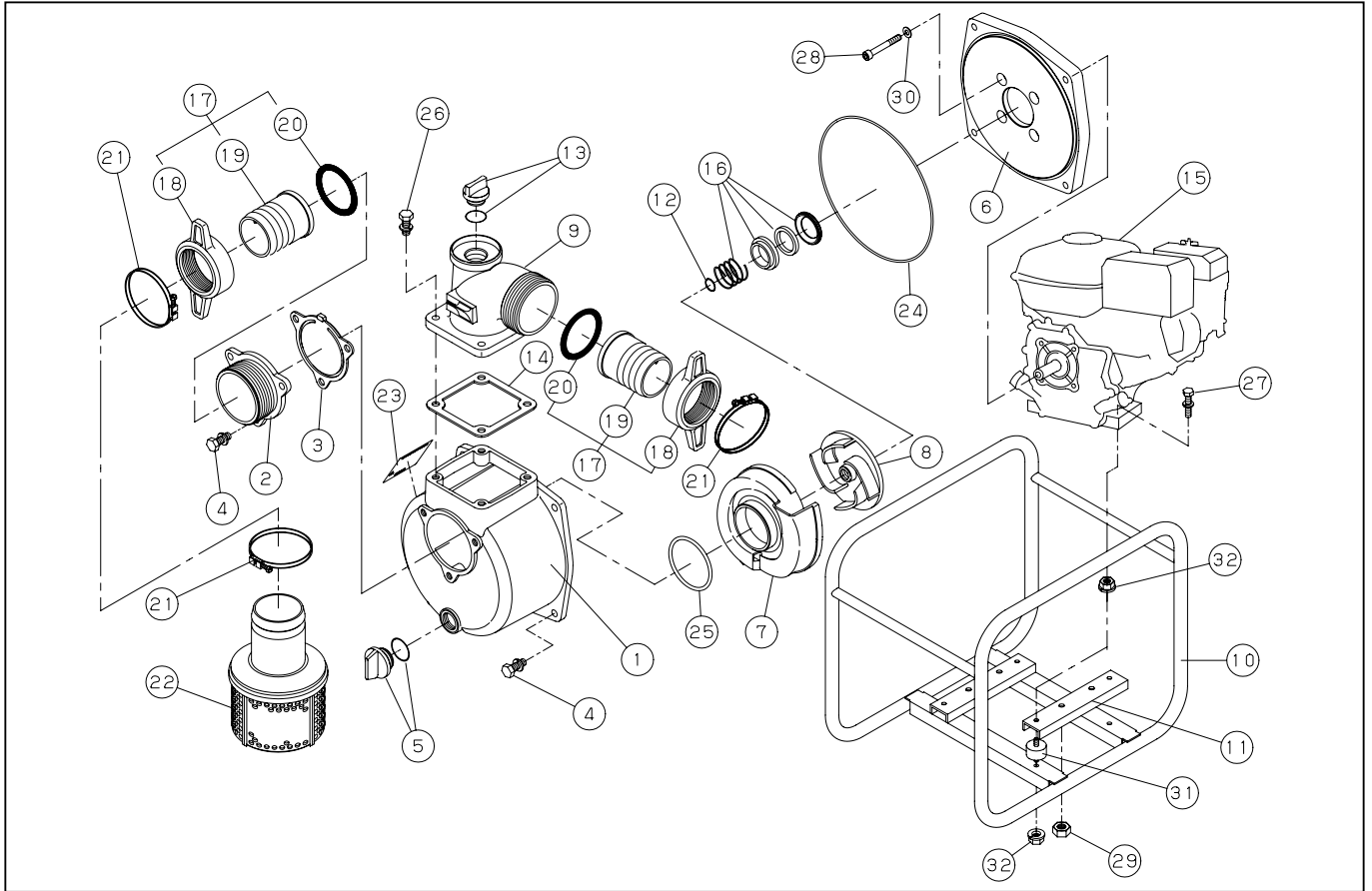


**SE-80XD**

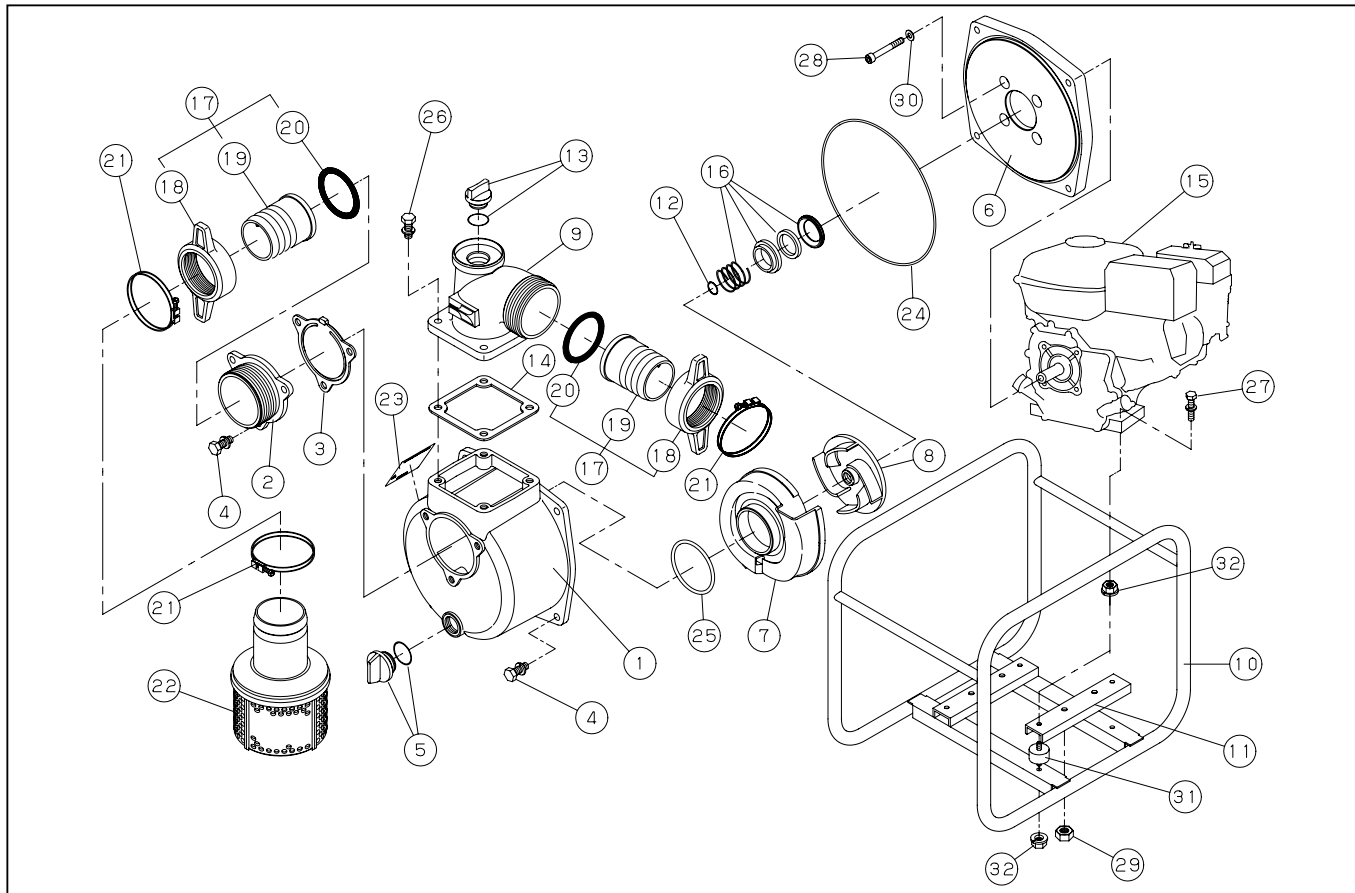


DWG No.011968706 MODEL:SE-80XD FORM:SE-80X-BBN-1 (DY23)

No.	PARTS CODE	PARTS NAME	QTY	MATERIAL	SIZE	REMARKS
1	012019601	PUMP CASING	1	ADC		
2	011279701	SUCTION FLANGE	1	ADC		
3	011279901	CHECK VALVE	1	NBR		
4	743119061	HEXAGON BOLT	7	SWRM	M10X25	
5	011807802	20A PLUG SET	1			
6	011279601	FLANGE BRACKET	1	ADC		
7	011317603	VOLUTE CASING	1	FC		
8	011053202	IMPELLER	1	FC		
9	011057003	DELIVERY FLANGE	1	ADC		
10	011836601	BASE SET	1			
11	011336501	ENGINE BASE	2			
12	011049102	IMPELLER ADJUSTING WASHER	3	BSP		
13	011807901	25A PLUG SET	1			
14	011058402	DELIVERY FLANGE PACKING	1	CR		
15	011516101	ENGINE	1	ROBIN DY232DD1610		
16	011066402	MECHANICAL SEAL	1		φ 20	
17	011702802	COUPLING SET	2	ABS		
18	011437502	COUPLING	2	ABS		
19	011030105	HOSE NIPPLE	2	ABS		
20	011437801	COUPLING PACKING	2	NBR		
21	940019090	HOSE BAND	3		φ 90	
22	011819501	STRAINER SET	1	PP		
23	011478503	NAME PLATE	1			
24	011501501	O-RING	1	NBR	1517-46.5	
25	011398901	O-RING	1	NBR	P74	
26	743119063	HEXAGON BOLT	4	SWRM	M10X30	
27	743119069	HEXAGON BOLT	4	SWRM	M10X50	
28	734532076	HEXAGON SOCKET BOLT	4	SCM	M8X60	
29	827419010	HEXAGON NUT	4	SWRM	M10	
30	854255008	SEAL WASHER	4		φ 8	

◆ Bare engine can not be supplied

# SE-80XD



DWG No.011968706 MODEL:SE-80XD FORM:SE-80X-BBN-1 (DY23)

No.	PARTS CODE	PARTS NAME	QTY	MATERIAL	SIZE	REMARKS
31	011285801	CUSHION RUBBER	4	ME-35		
32	842319008	SPRING NUT	8	SWRM	M8	
	011478403	PACKING CASE	1		SE-80XD	
	011476404	OPERATION MANUAL	1			
	011473501	ENGINE CAUTION LABEL B	1			
	011471806	CE MARK LABEL	1			
	011471302	CAUTION LABEL	1			
	011481807	SE CE DECLARATION	1			
	011643401	EU NOISE LABEL (108)	1			

◆ Bare engine can not be supplied