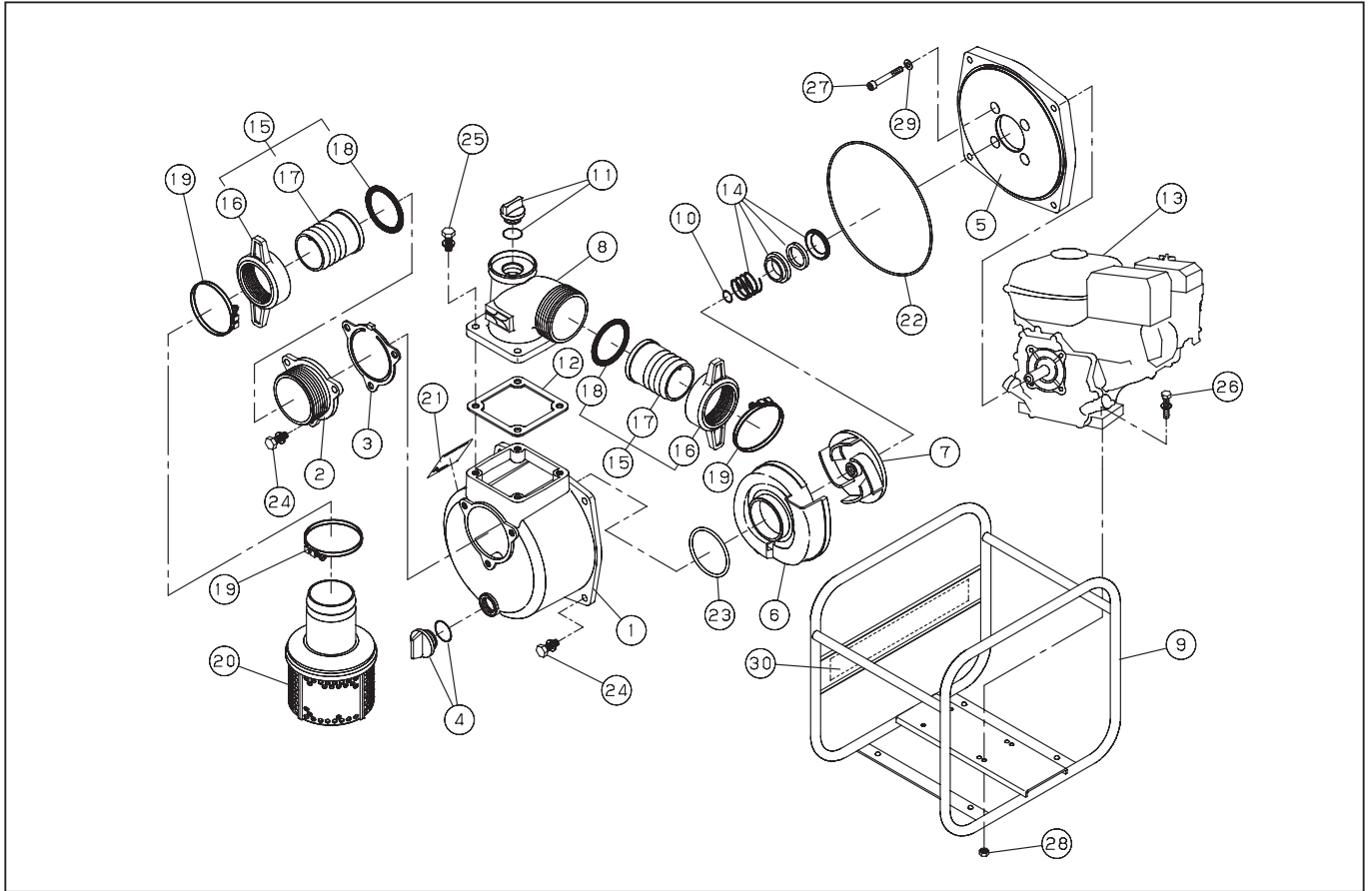


SE-80X

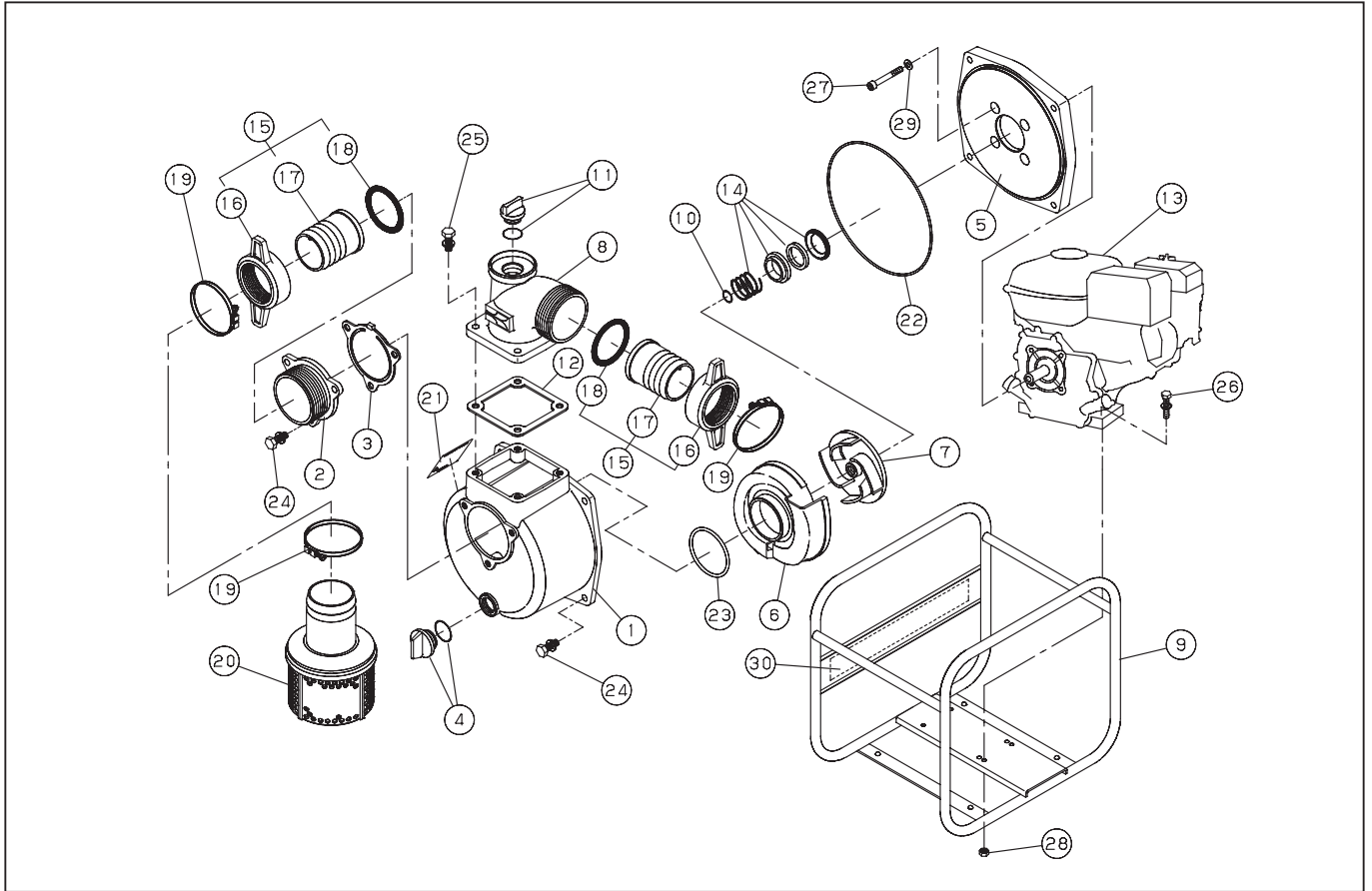


DWG No. 012871807 MODEL:SE-80X FORM:SE-80X-BCN-0

No.	PARTS CODE	PARTS NAME	QTY	MATERIAL	SIZE	REMARKS
1	012019602	PUMP CASING	1	ADC		
2	011279701	SUCTION FLANGE	1	ADC		
3	011279901	CHECK VALVE	1	NBR		
4	011807802	20A PLUG SET	1			
5	011279601	FLANGE BRACKET	1	ADC		
6	011279806	VOLUTE CASING	1	ADC		
7	011053203	IMPELLER	1			
8	011057005	DELIVERY FLANGE	1			
9	011798803	BASE SET	1			
10	011049102	ADJUSTING WASHER	3	BSP		
11	011807901	25A PLUG SET	1			
12	011058402	FLANGE PACKING	1	CR		
13	011633501	ENGINE	1	EROBIN EY203D10020		
14	011066402	MECHANICAL SEAL	1		φ 20	
15	011702803	COUPLING SET	2			
16	011437502	COUPLING	2	ABS		
17	011030105	NIPPLE	2	ABS		
18	011437801	COUPLING PACKING	2	NBR		
19	940019090	HOSE BAND	3		φ 90	
20	011819501	STRAINER SET	1	PP		
21	011636202	NAME PLATE	1			
22	011501501	O-RING	1	NBR	1517-46.5	
23	011398901	O-RING	1	NBR	P74	
24	743119061	HEXAGON BOLT	7	SWRM	M10X25	
25	743119063	HEXAGON BOLT	4	SWRM	M10X30	
26	743119053	HEXAGON BOLT	4	SWRM	M8X40	
27	734532076	HEXAGON SOCKET BOLT	4	SCM	M8X60	
28	827419008	HEXAGON NUT	4	SWRM	M8	
29	854255008	SEAL WASHER	4		φ 8	
30	012042802	SIDE PANEL LABEL	1			

◆ Bare engine can not be supplied

SE-80X



DWG No. 012871807 MODEL:SE-80X FORM:SE-80X-BCN-0

No.	PARTS CODE	PARTS NAME	QTY	MATERIAL	SIZE	REMARKS
	011638504	PACKING CASE	1			
	011799901	OPERATION MANUAL SET	1			

◆ Bare engine can not be supplied