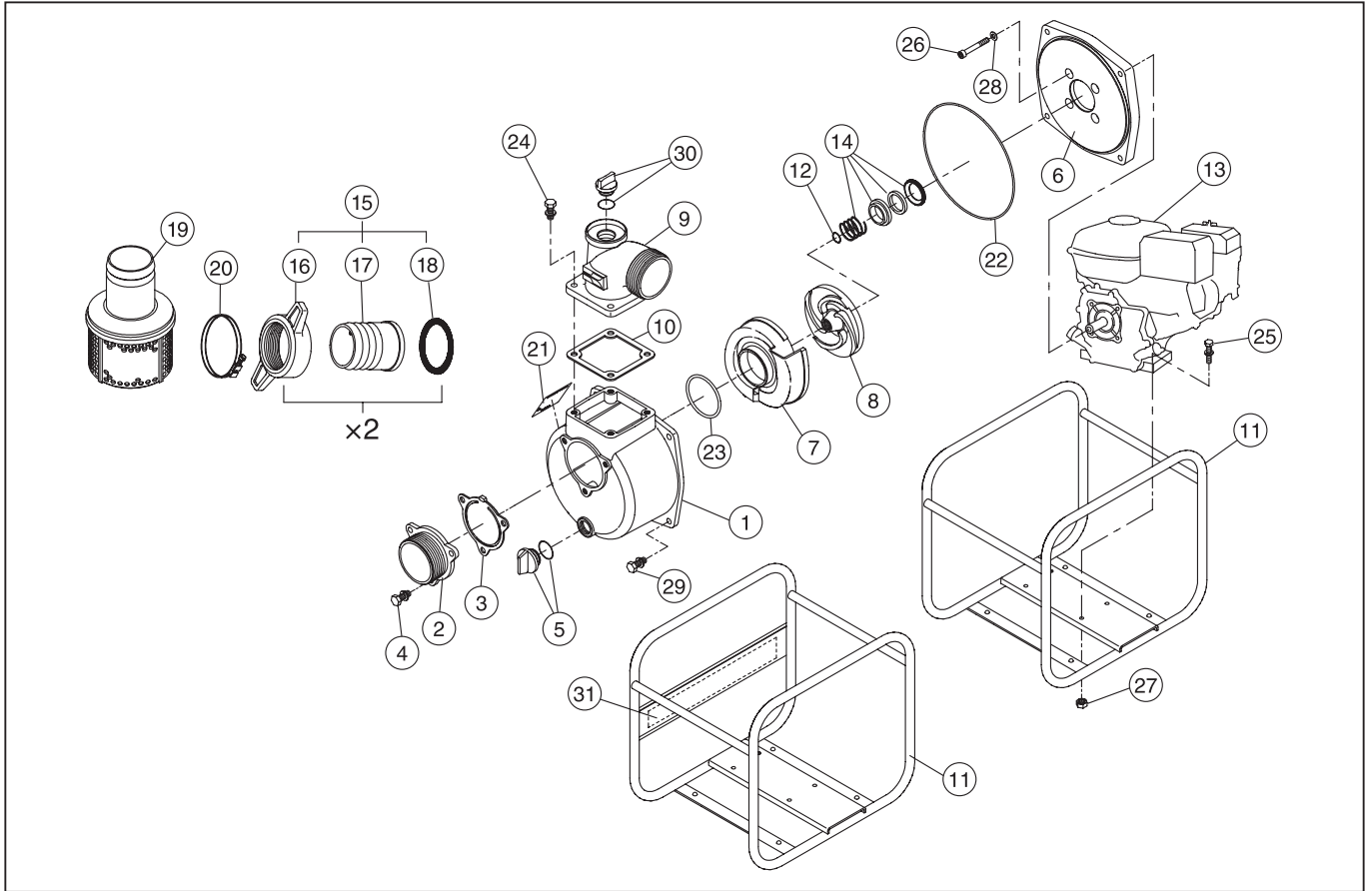


# SE-80X

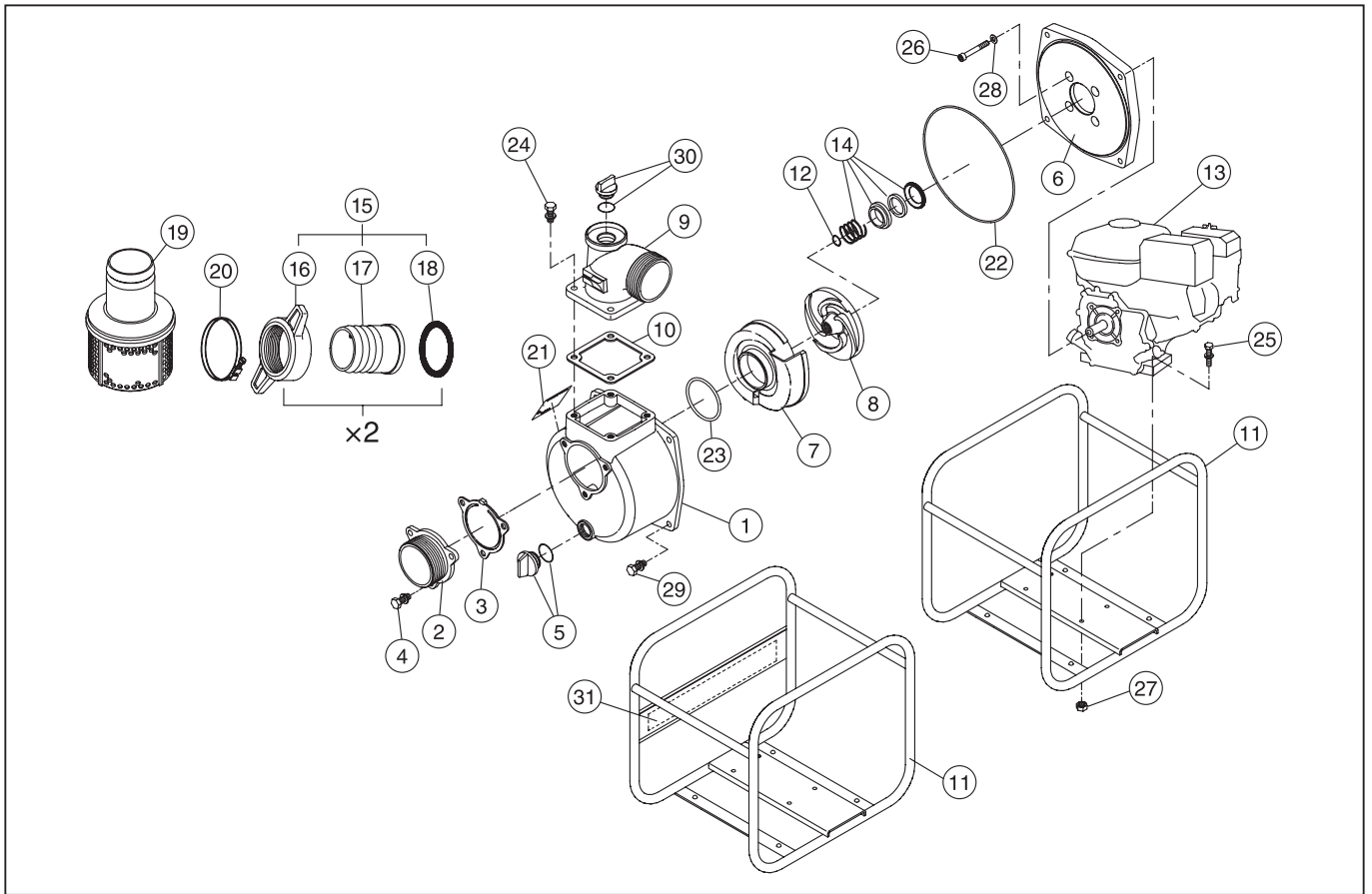


DWG No. 066861701 MODEL:SE-80X FORM: SE-80X-BEC

No.	PARTS CODE	PARTS NAME	QTY	MATERIAL	SIZE	REMARKS
1	012019601	Pump Casing	1	ADC		
2	011279701	Suction Flange	1	ADC		
3	011279901	Check Valve	1	NBR		
4	743119061	Bolt M10X25	3	SWRM	M10X25	
5	011807802	20A Plug Set	1			
6	011279601	Flange Bracket	1	ADC		
7	011317603	Volute Casing	1	FC-20		
8	011053202	Impeller	1	FC		
9	011057003	Delivery Flange	1	ADC		
10	011058402	Flange Packing	1	CR		
11	012819301	Base Set	1			
11	012830501	Base Set (side panel)	1			
12	011049102	Adjusting Washer	3	BSP		
13	012034501	Ey203Dc0600S Robin Engine	1	USD110		
14	012005901	Mechanical Seal	1		φ 20	
15	011702802	Coupling Set	2	ABS		
16	011437502	Coupling	2	ABS		
17	011030105	Nipple	2	ABS		
18	011437801	Coupling Packing	2	NBR		
19	011819501	Strainer Set	1	PP		
20	940019090	Hose Band	3		φ 90	
21	012123101	Name Plate	1			
22	011501501	O-Ring 1517-46.5	1	NBR	1517-46.5	
23	011398901	O-Ring P74	1	NBR	P74	
24	743119063	BOLT M10X30	4	SWRM	M10X30	
25	743119053	BOLT M8X40	4	SWRM	M8X40	
26	734532076	Socket Bolt M8X60	4	SCM	M8X60	
27	827419008	Nut M8	4	SWRM	M8	
28	854255008	Seal Washer	4		φ 8	
29	743119061	Bolt M10X25	4	SWRM	M10X25	

◆ Bare engine can not be supplied

# SE-80X



DWG No. 066861701 MODEL:SE-80X FORM: SE-80X-BEC

No.	PARTS CODE	PARTS NAME	QTY	MATERIAL	SIZE	REMARKS
30	011807901	25A Plug Set	1			
31	012121901	Side Panel Label	1			

◆ Bare engine can not be supplied