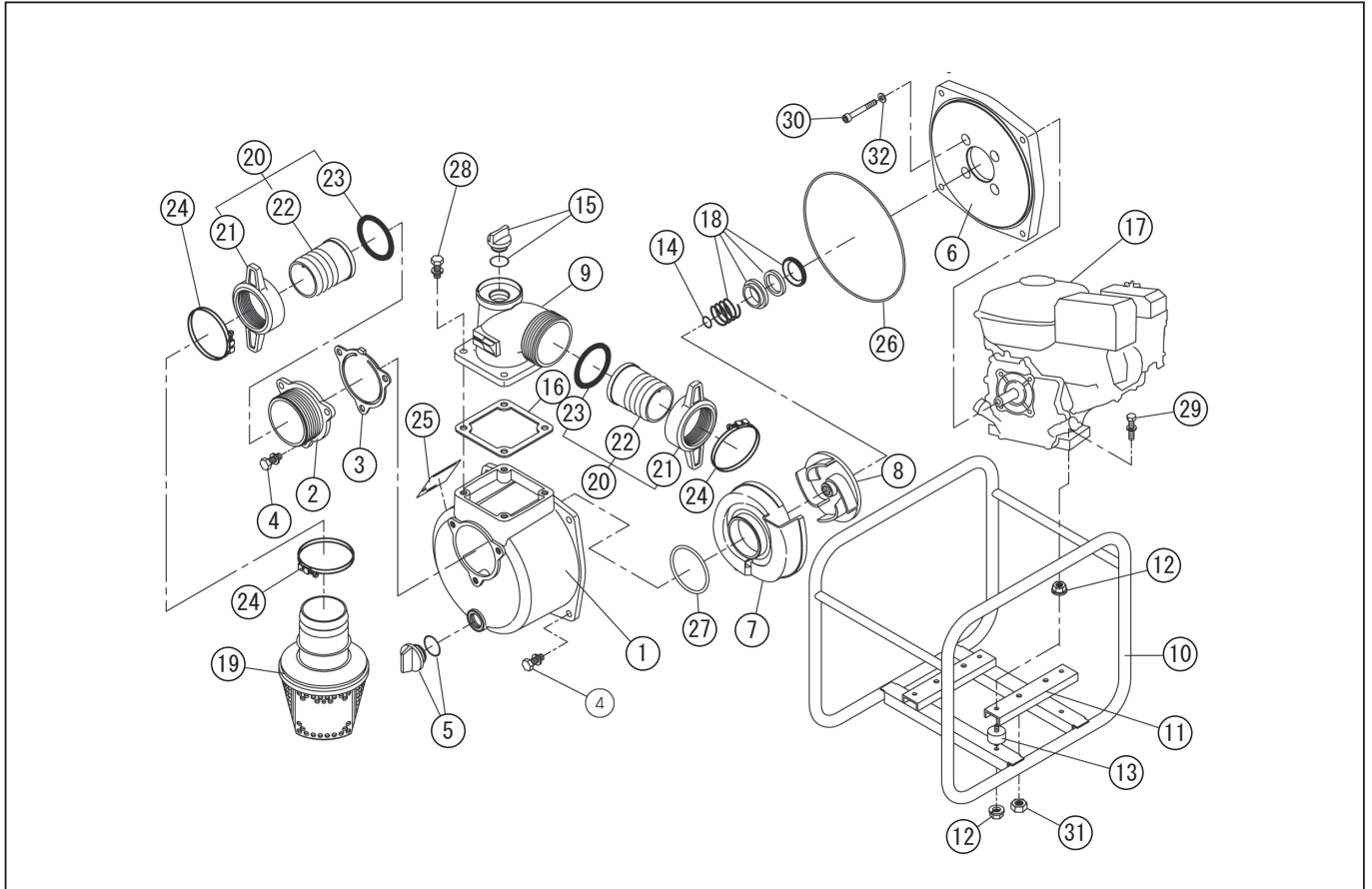


DWG No.012934101 MODEL : SE-80XD FORM : SE-80X-BEJ-0 (DY23-2)

No.	PARTS CODE	PARTS NAME	QTY	MATERIAL/SIZE	REMARKS
1	0120196	PUMP CASING	1	ADC "MADE IN JAPAN"	
2	0112797	SUCTION FRANGE	1	ADC	
3	0112799	CHECK VALVE	1	NBR	
4	743119061	BOLT	7	M10×25 SWRM	
5	0118078	20A PLUG SET	1		
6	0112796	FLANGE BRACKET	1	ADC	
7	0113176	VOLUTE CASING	1	FC	
8	0110532	IMPELLER	1	FC-20	
9	0110570	DELIVERY FLANGE	1	ADC ·PS·KOSHIN	
10	0118366	BASE SET	1		
11	0113365	SE-80X-BAP ENGINE BASE	2		
12	842319008	SPRING NUT	8	SWRM	
13	0112858	KTR-80 CUSHION RUBBER	4	ME-35 40°	
14	0110491	IMPELLER ADJUSTING WASHER	3	BSP1 T0.3	
15	0118079	25A PLUG SET	1		
16	0110584	FLANGE PACKING	1	CR	
17	0113395	ROBIN DY232DD1110 ENGINE	1		
18	0110664	SE-80L MECHANICAL SEAL	1	φ 20	
19	0127126	STRAINER SET	1	PP	
20	0127125	COUPLING SET	2		
21	0122500	COUPLING	2	ABS	
22	0122501	NIPPLE	2	ABS	
23	0114378	COUPLING PACKING	2	NBR.HS65±5	
24	940019090	HOSE BAND	3	φ 90	
25	0122643	NAME PLATE	1		
26	0115015	O-RING 1517-46.5	1	1517-46.5 NBR	
27	0113989	O-RING P74	1	P74 NBR	
28	743119063	BOLT	4	M10X30 SWRM	
29	743119069	BOLT	4	M 10X50 SWRM	
30	734532076	SOCKET BOLT	4	M8×60 SCM CS	

◆ Bare engine can not be supplied



DWG No.012934101 MODEL : SE-80XD FORM : SE-80X-BEJ-0 (DY23-2)

No.	PARTS CODE	PARTS NAME	QTY	MATERIAL/SIZE	REMARKS
31	827419010	NUT	4	M10 SWRM	
32	854255008	SEAL WASHER	4	$\phi 8$	