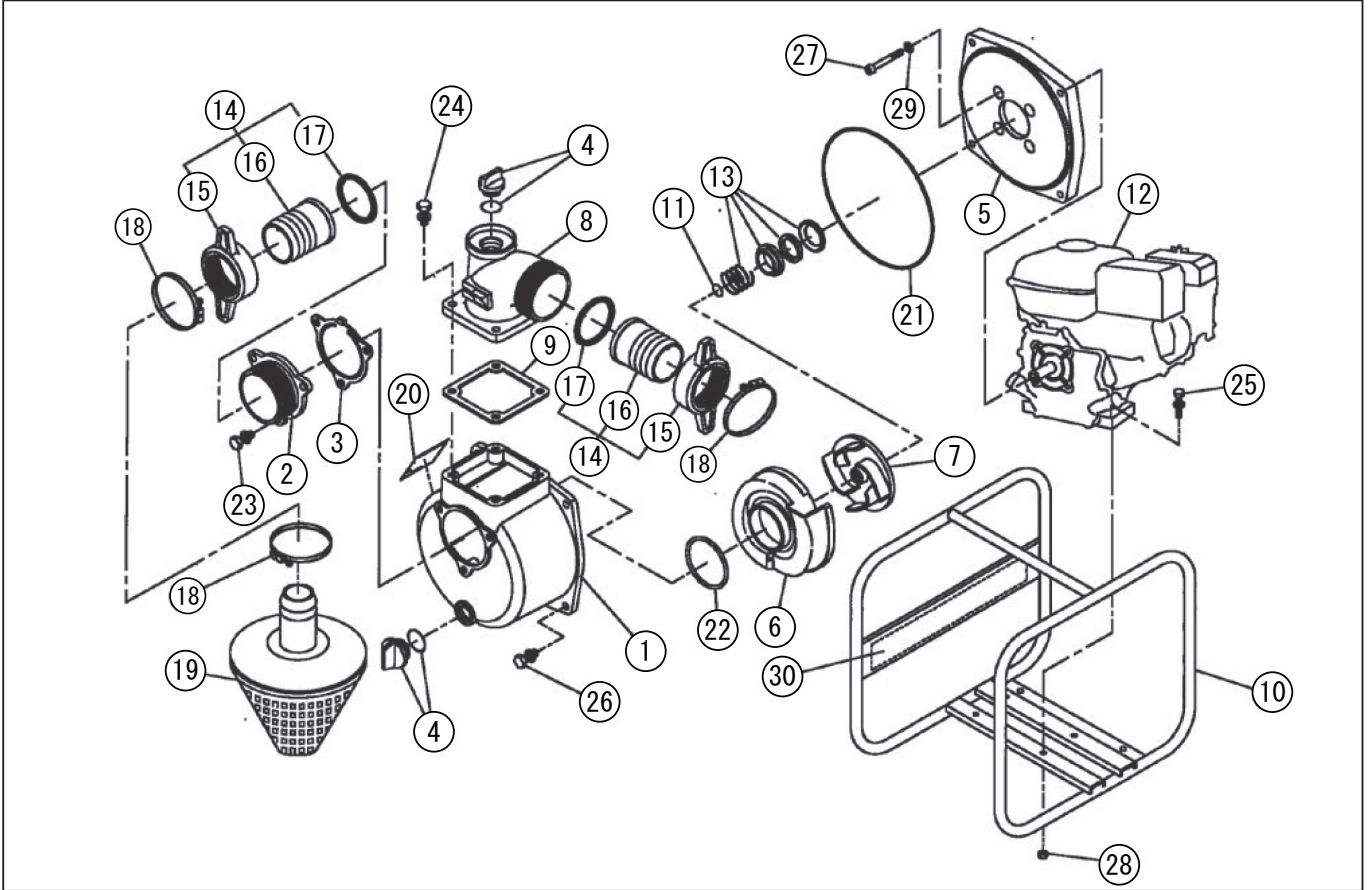


DWG No.011933226 MODEL : SEH-50X FORM : SEH-50X-BAE-4

| No. | PARTS CODE | PARTS NAME                | QTY | MATERIAL/SIZE       | REMARKS |
|-----|------------|---------------------------|-----|---------------------|---------|
| 1   | 012019502  | PUMP CASE                 | 1   | ADC                 |         |
| 2   | 011266203  | SUCTION FLANGE            | 1   | ADC                 |         |
| 3   | 011266501  | CHECK VALVE               | 1   | NBR                 |         |
| 4   | 011807802  | 20A PLUG SET              | 2   |                     |         |
| 5   | 011257905  | FLANGE BRACKET            | 1   | ADC                 |         |
| 6   | 011353303  | VOLUTE CASING             | 1   | ADC                 |         |
| 7   | 011353202  | IMPELLER                  | 1   | H=19 FC-20          |         |
| 8   | 011462802  | DELIVERY FLANGE           | 1   | ADC                 |         |
| 9   | 011054102  | DELIVERY FLANGE PACKING   | 1   | CR                  |         |
| 10  | 011797702  | BASE SET                  | 1   | NO.415              |         |
| 11  | 011046601  | IMPELLER ADJUSTING WASHER | 3   | BSP                 |         |
| 12  | 012054803  | ENGINE                    | 1   | HONDA GX120T2WMK    |         |
| 13  | 011068803  | MECHANICAL SEAL           | 1   | φ 18 CARBON CERAMIC |         |
| 14  | 011702603  | COUPLING SET              | 2   | ABS                 |         |
| 15  | 011339002  | COUPLING                  | 2   | ABS                 |         |
| 16  | 011035605  | HOSE NIPPLE               | 2   | ABS                 |         |
| 17  | 011339101  | COUPLING PACKING          | 2   | NBR                 |         |
| 18  | 940019060  | HOSE BAND                 | 3   |                     |         |
| 19  | 011815901  | STRAINER SET              | 1   | PP                  |         |
| 20  | 011315306  | NAME PLATE                | 1   | TFILM               |         |
| 21  | 011501401  | O-RING                    | 1   | 1517-42.5 NBR       |         |
| 22  | 011279201  | O-RING                    | 1   | P54 NBR             |         |
| 23  | 743119045  | HEXAGON BOLT              | 3   | M8X20 SWRM          |         |
| 24  | 743119046  | HEXAGON BOLT              | 4   | M8X22 SWRM          |         |
| 25  | 743119047  | HEXAGON BOLT              | 4   | M8X25 SWRM          |         |
| 26  | 743119051  | HEXAGON BOLT              | 4   | M8X35 SWRM          |         |
| 27  | 734532076  | HEXAGON SOCKET BOLT       | 4   | M8X60 SCM           |         |
| 28  | 854255008  | SEAL WASHER               | 4   | φ 8                 |         |
| 29  | 827419008  | HEXAGON NUT               | 4   | M8 SWRM             |         |
| 30  | 012042802  | SIDE PANEL LABEL          | 1   |                     |         |

◆ Bare engine can not be supplied



DWG No.011933226 MODEL : SEH-50X FORM : SEH-50X-BAE-4

| No. | PARTS CODE | PARTS NAME   | QTY | MATERIAL/SIZE | REMARKS |
|-----|------------|--------------|-----|---------------|---------|
|     | 011399009  | PACKING CASE | 1   |               |         |

◆ Bare engine can not be supplied