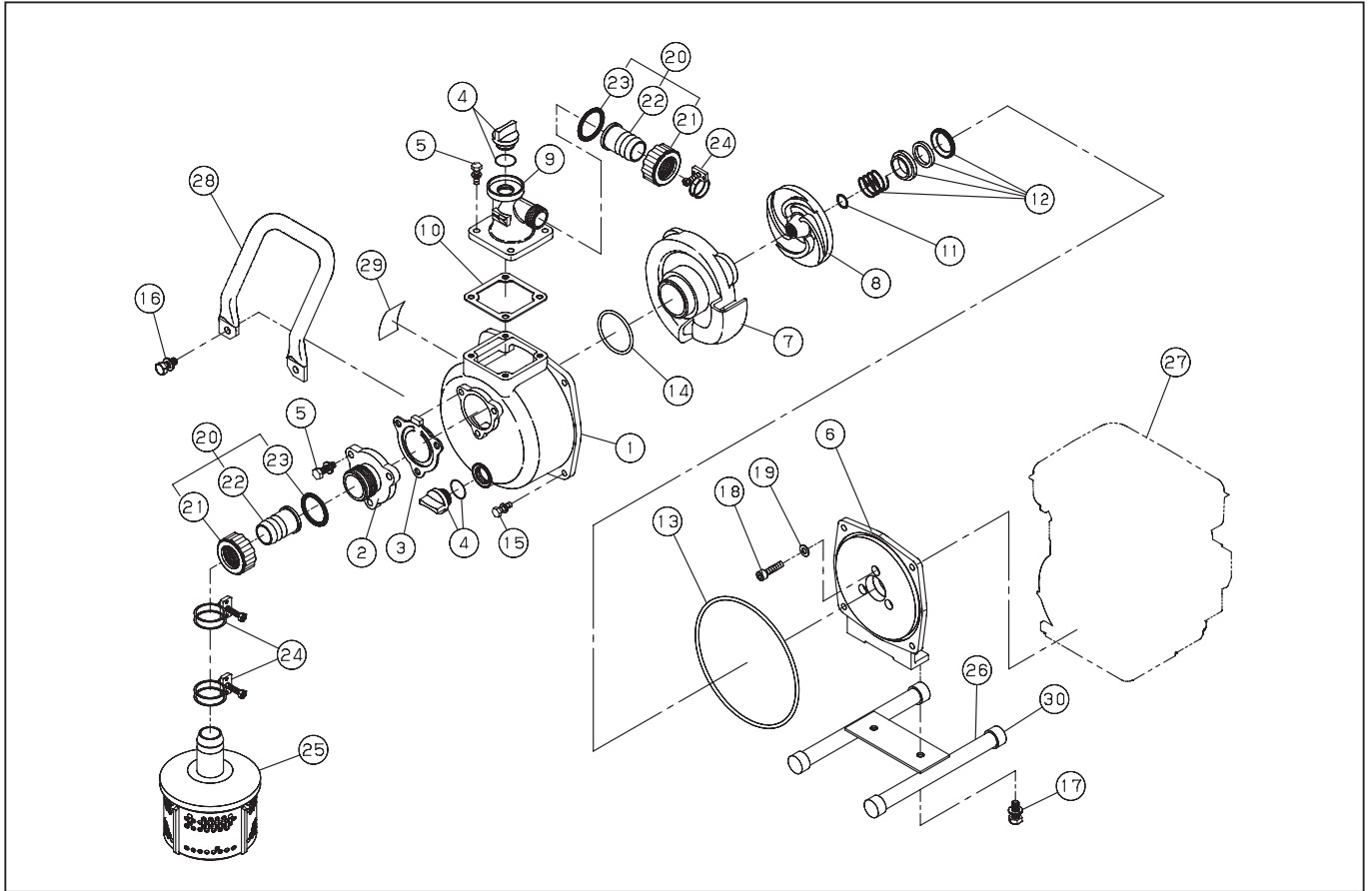


SEM-25L

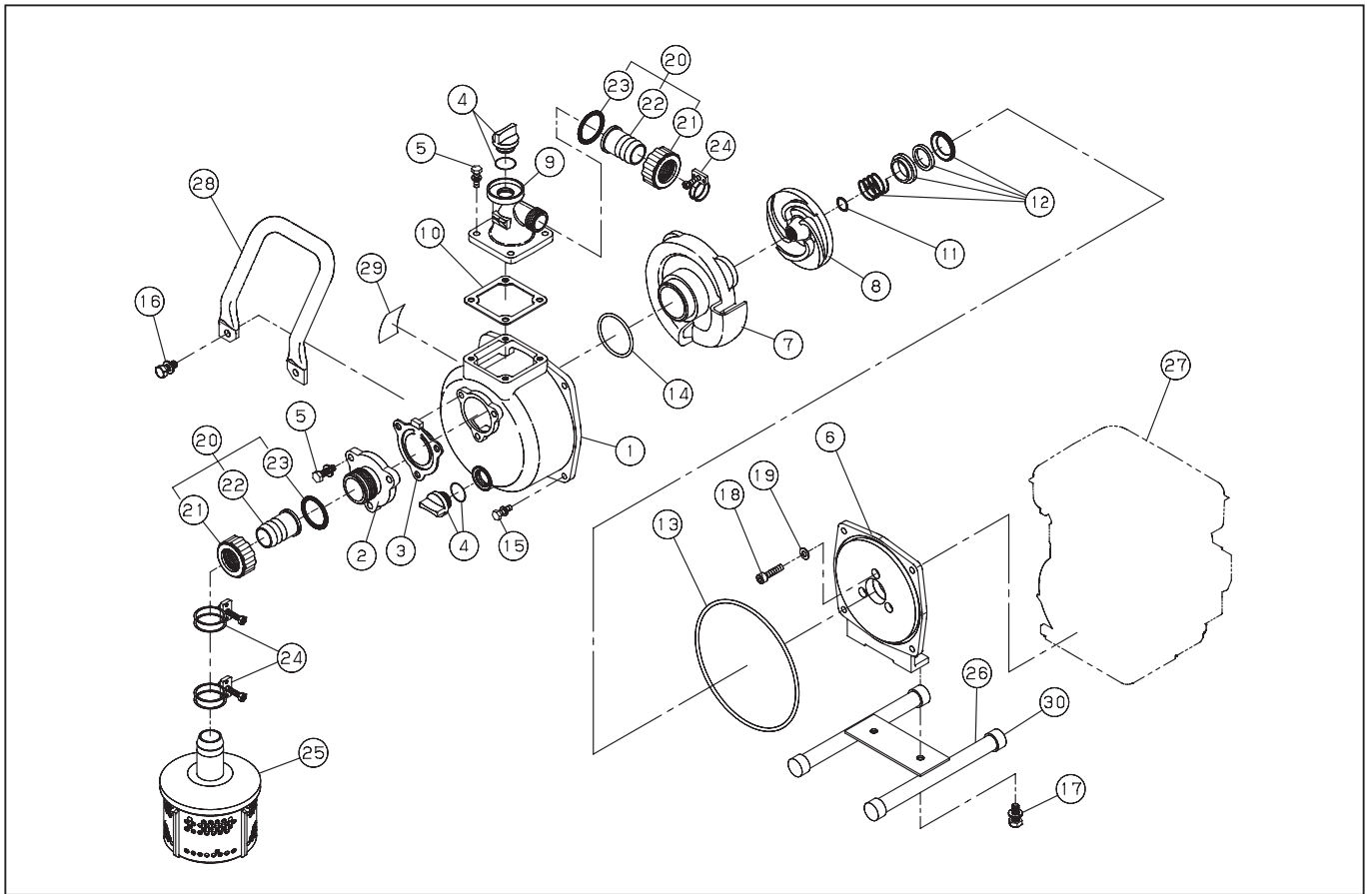


DWG No.012869505 MODEL:SEM-25L FORMEM-25L-BAE-2

No.	PARTS CODE	PARTS NAME	QTY	MATERIAL	SIZE	REMARKS
1	011397701	PUMP CASING	1	ADC		
2	011332501	SUCTION FLANGE	1	ADC		
3	011332601	CHECK VALVE	1	NBR		
4	743119032	HEXAGON BOLT	7	SWRM	M6X20	
5	014801001	15A PLUG SET	2			
6	011598701	FLANGE BRACKET	1	ADC		
7	011598601	VOLUTE CASING	1	ADC		
8	011598501	IMPELLER	1	ADC		
9	011048602	DELIVERY FLANGE	1	ADC		
10	011048702	DELIVERY FLANGE PACKING	1	CR		
11	011394401	IMPELLER ADJUSTING WASHER	3	BS		
12	011605402	MECHANICAL SEAL	1			
13	890255031	O-RING	1	NBR	1517-31	
14	889855042	O-RING	1	NBR	P42	
15	743119045	HEXAGON BOLT	2	SWRM	M8X20	
16	743119046	HEXAGON BOLT	2	SWRM	M8X22	
17	743119043	HEXAGON BOLT	2		M8X16	
18	734532274	HEXAGON SOCKET BOLT	3		M5X40	
19	854255005	SEAL WASHER	3		φ 5	
20	034812402	COUPLING SET	2			
21	034078101	COUPLING	2	ABS		
22	034078201	HOSE NIPPLE	2	ABS		
23	034006501	COUPLING PACKING	2	CR		
24	940019032	HOSE BAND	3		φ 32	
25	011819301	STRAINER SET	1			
26	011826703	BASE SET	1	BLACK		
27	011603304	ENGINE	1	TU26MPD-830		
28	011427705	HANDLE	1	STKM		
29	011623603	NAME PLATE	1			
30	011257602	PIPE RUBBER	4	NBR		

◆ Bare engine can not be supplied

SEM-25L



DWG No.012869505 MODEL:SEM-25L FORMEM-25L-BAE-2

No.	PARTS CODE	PARTS NAME	QTY	MATERIAL	SIZE	REMARKS
	011606303	OPERATION MANUAL	1			
	011623701	PACKING CASE	1			
	011476001	ENGINE CAUTION LABEL C	1			
	011476101	ENGINE CAUTION LABEL D	1			
	011623801	MITSUBISHI LABEL	1			

◆ Bare engine can not be supplied