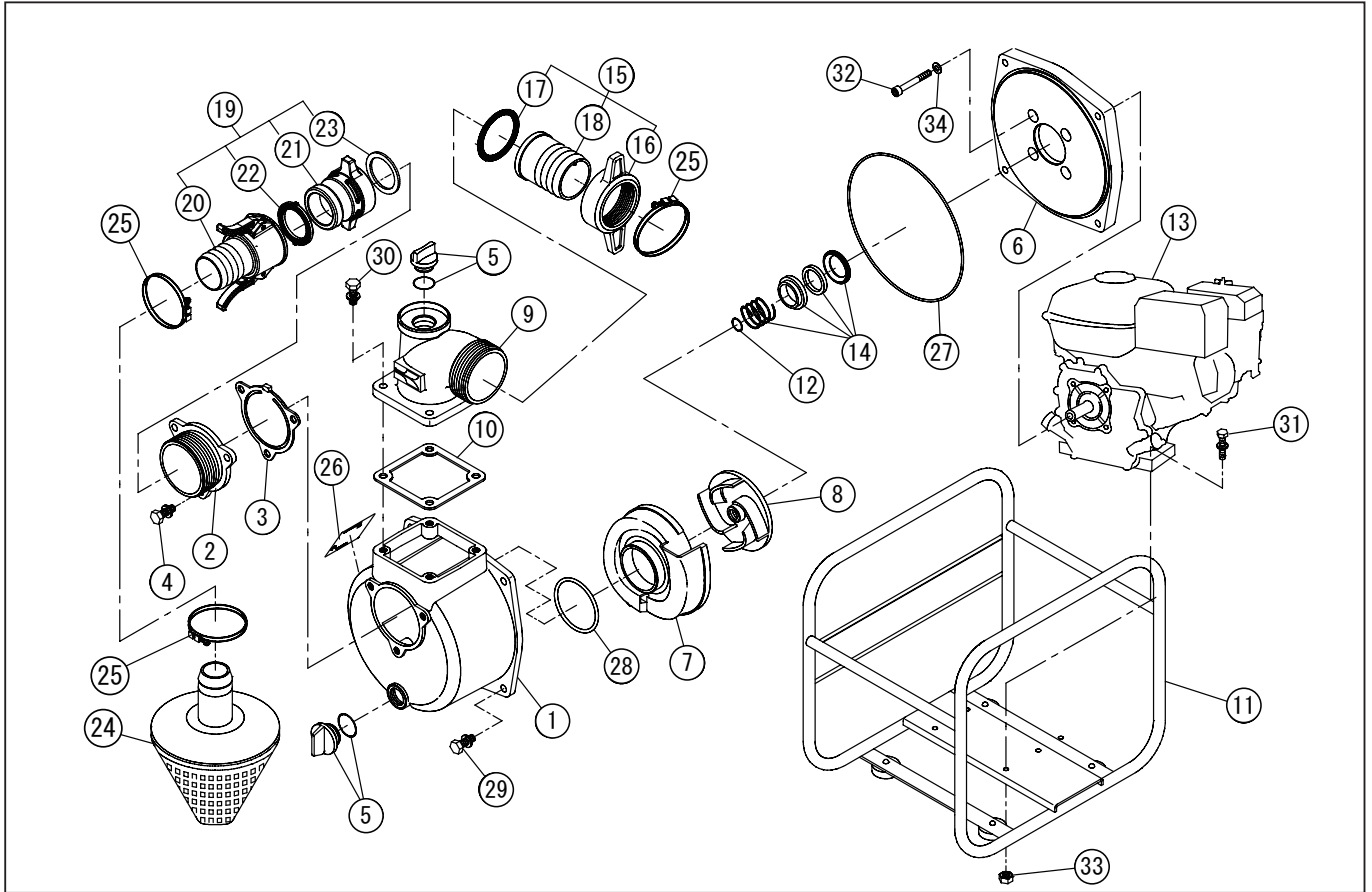


DWG No.012890203 MODEL:SEM-50V FORM:SEM-50V-BAE-0

No.	PARTS CODE	PARTS NAME	QTY	MATERIAL/SIZE	REMARKS
1	0120195	PUMP CASING	1	ADC	
2	0112662	SUCTION FLANGE	1	ADC	
3	0112665	CHECK VALVE	1	NBR	
4	743119045	HEXAGON BOLT	3	M8X20 SWRM	
5	0118078	20A PLUG SET	2		
6	0112579	FLANGE BRACKET	1	ADC	
7	0120341	VOLUTE CASING	1	FC	
8	0120257	IMPELLER	1	FC	
9	0110556	DELIVERY FLANGE	1	ADC	
10	0110541	DELIVERY FLANGE PACKING	1	CR 70°	
11	0117939	BASE SET	1		
12	0110466	IMPELLER ADJUSTING WASHER	3	BSP T=0.3	
13	0120259	ENGINE	1	mitsubishi GM132PN-74C	
14	0110688	MECHANICAL SEAL	1	CARBON CERAMIC ϕ 18	
15	0117026	COUPLING SET	1		
16	0113390	COUPLING	1	ABS	
17	0113391	COUPLING PACKING	1	NBR	
18	0110356	HOSE NIPPLE	1	ABS	
19	0118357	QUICK COUPLING ASSY	1		
20	0117491	CAM LOCK NIPPLE (WITH LEVER)	1		
21	0112837	CAM LOCK BODY	1		
22	0113487	CAM LOCK PACKING	1	NBR HS50°	
23	0110766	CAM LOCK BODY PACKING	1	NBR	
24	0118159	STRAINER SET	1	PP	
25	940019060	HOSE BAND	3	ϕ 603	
26	0120263	NAME PLATE	1		
27	0115014	O-RING	1	1517-42.5 NBR	
28	0112792	O-RING	1	P54 NBR	
29	743119046	HEXAGON BOLT	4	M8X22 SWRM	
30	743119047	HEXAGON BOLT	4	M8X25 SWRM	



DWG No.012890203 MODEL:SEM-50V FORM:SEM-50V-BAE-0

No.	PARTS CODE	PARTS NAME	QTY	MATERIAL/SIZE	REMARKS
31	743119051	HEXAGON BOLT	4	M8X35 SWRM	
32	734532076	HEXAGON SOCKET BOLT	4	M8X60 SCM CS	
33	827419008	HEXAGON NUT	4	M8 SWRM	
34	854255008	SEAL WASHER	4	φ 8	
35	0120286	PLATE LABEL	1	405×58	
	0120267	PACKING CASE	1		

◆ Bare engine can not be supplied