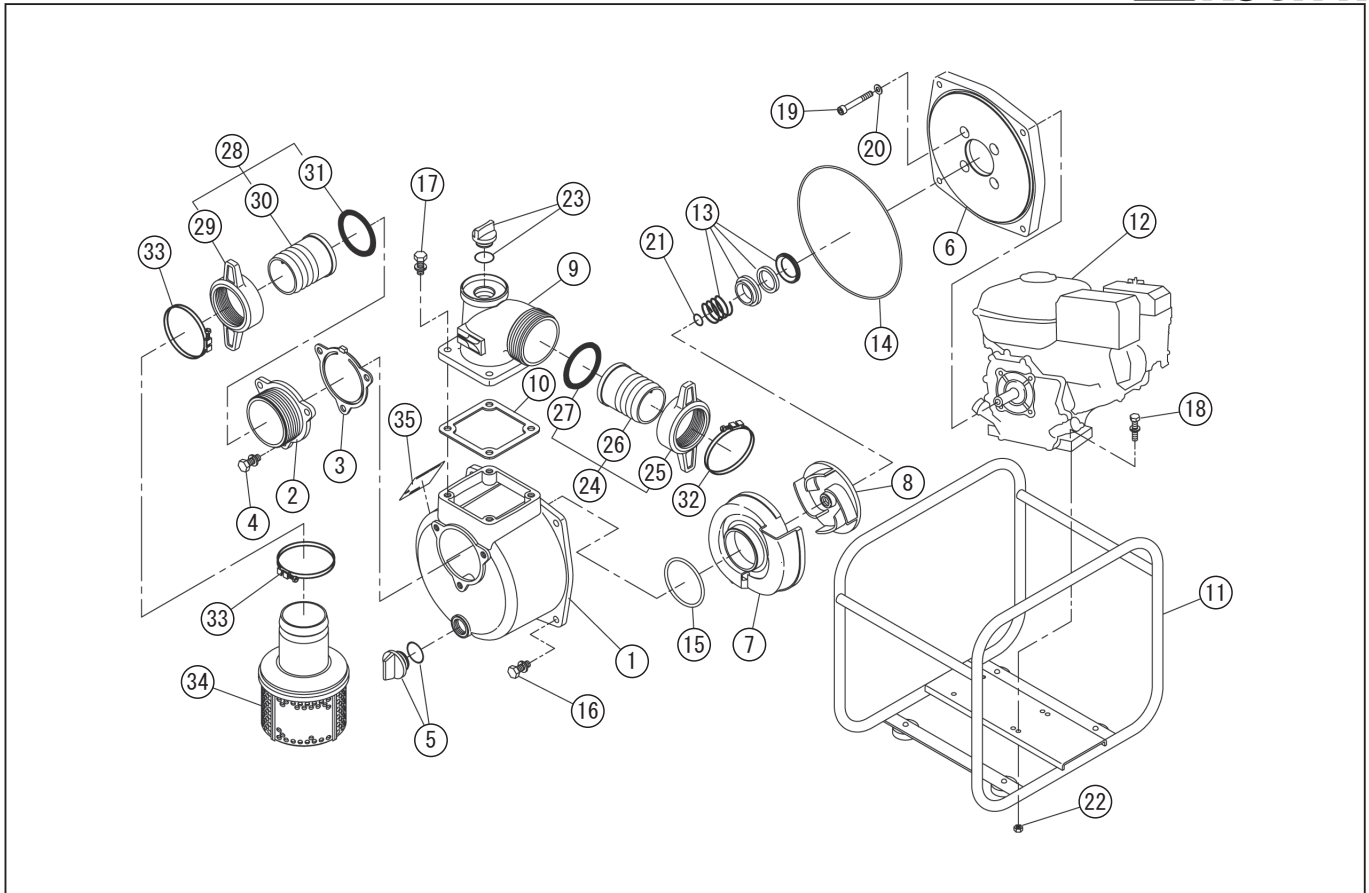


DWG No.012861709 MODELE:SERH-50 FORM:SERH-50-BAB-2(GX240UT2)

No.	PARTS CODE	PARTS NAME	QTY	MATERIAL/SIZE	REMARKS
1	0122155	PUMP CASING	1	ADC	
2	0114004	SER-50 SUCTION FLANGE	1	ADC	
3	0112799	CHECK VALVE	1	NBR	
4	743119061	BOLT	3	M10×25 SWRM	
5	0118079	25A PLUG SET	1		
6	0110722	SER-50 FLANGE BRACKET	1	ADC	
7	0112819	SER-50 VOLUTE CASING	1	FC-20	
8	0112862	SER-50 IMPELLER	1	FC-20	
9	0114209	SER-50 DELIVERY FLANGE	1	ADC	
10	0110584	FLANGE PACKING	1	CR	
11	0128256	BASE SET	1		
12	0115738	GX240UT2WKK2 WITH O/A	1		
13	0110862	SER-50 MECHANICAL SEAL	1	HG9A-MN(H)φ 2 5	
14	0115016	O-RING 1517-51.5	1	1517-51.5 NBR	
15	0113989	O-RING P74	1	P74 NBR	
16	743119078	BOLT	4	M12×30 SWRM	
17	743119063	BOLT	4	M10×30 SWRM	
18	743119067	BOLT	4	M10×40 SWRM	
19	734532076	SOCKET BOLT	4	M8×60 SCM CS	
20	854255008	SEAL WASHER	4	φ8	
21	0110081	ADJUSTING WASHER	2	T0.3	
22	827419010	NUT	4	M10	
23	0118078	20A PLUG SET	1		
24	0117026	COUPLING SET	1	ABS	
25	0113390	COUPLING	1	ABS	
26	0110356	HOSE NIPPLE	1	ABS	
27	0113391	COUPLING PACKING	1	NBR	
28	0118017	SE-65L COUPLING SET	1		
29	0110365	SE-65 COUPLING	1	AC	
30	0110366	HOSE NIPPLE	1	ABS	

◆ Bare engine can not be supplied



DWG No.012861709 MODELE:SERH-50 FORM:SERH-50-BAB-2(GX240UT2)

No.	PARTS CODE	PARTS NAME	QTY	MATERIAL/SIZE	REMARKS
31	011036701	SE-65 COUPLING PACKING	1	NBR	
32	940019060	HOSE BAND	1	φ 60	
33	940019080	HOSE BAND	2	φ 80	
34	011804604	SER-50 STRAINER SET	1		
35	011598004	NAME PLATE	1		
	011471806	CE MARK LABEL	1		
	011471302	CAUTION LABEL	1		
	011482012	SEH DECLARATION	1		
	011669901	EU NOISE LABEL (111)	1		

◆ Bare engine can not be supplied