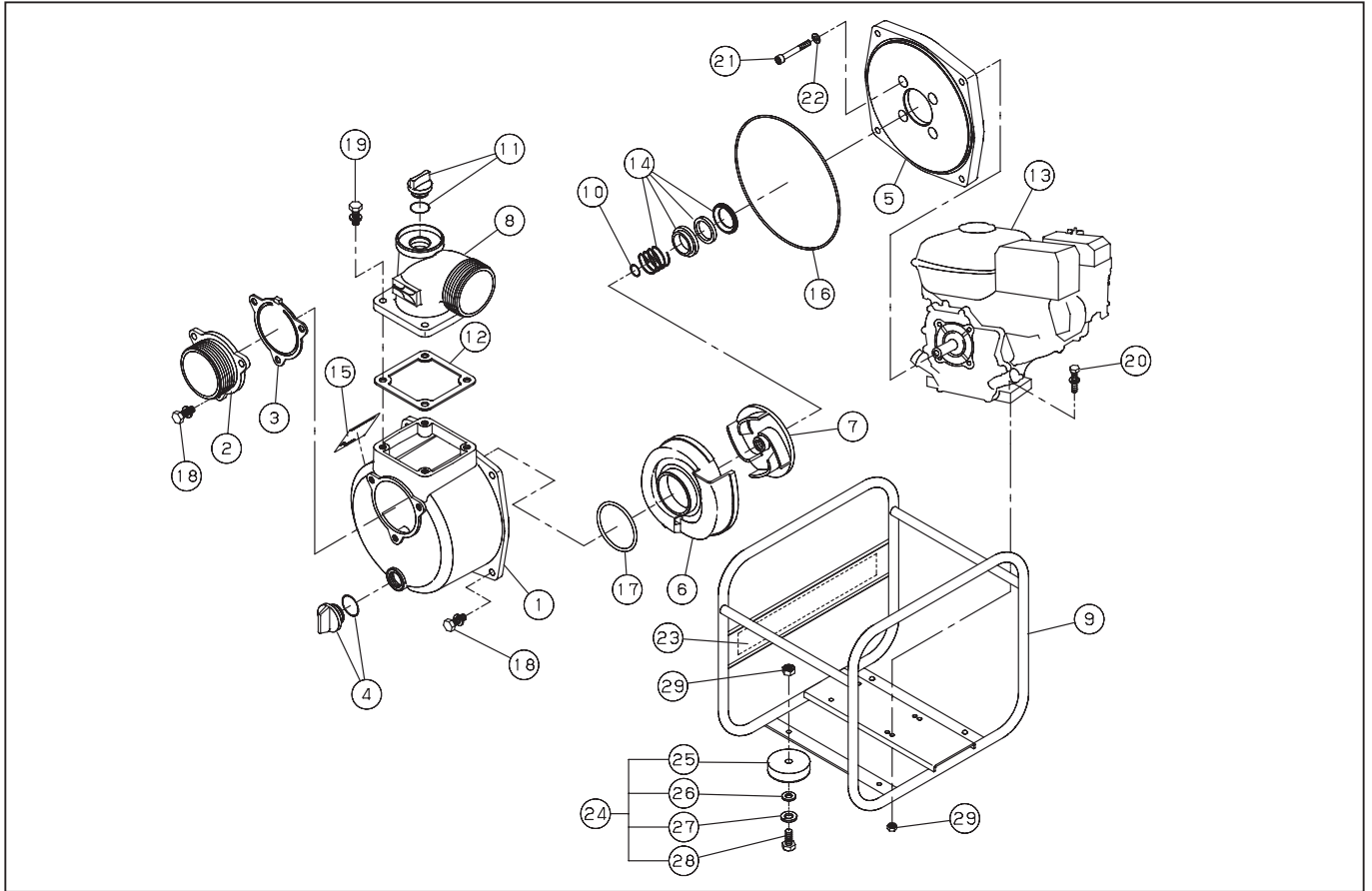


SEV-80X

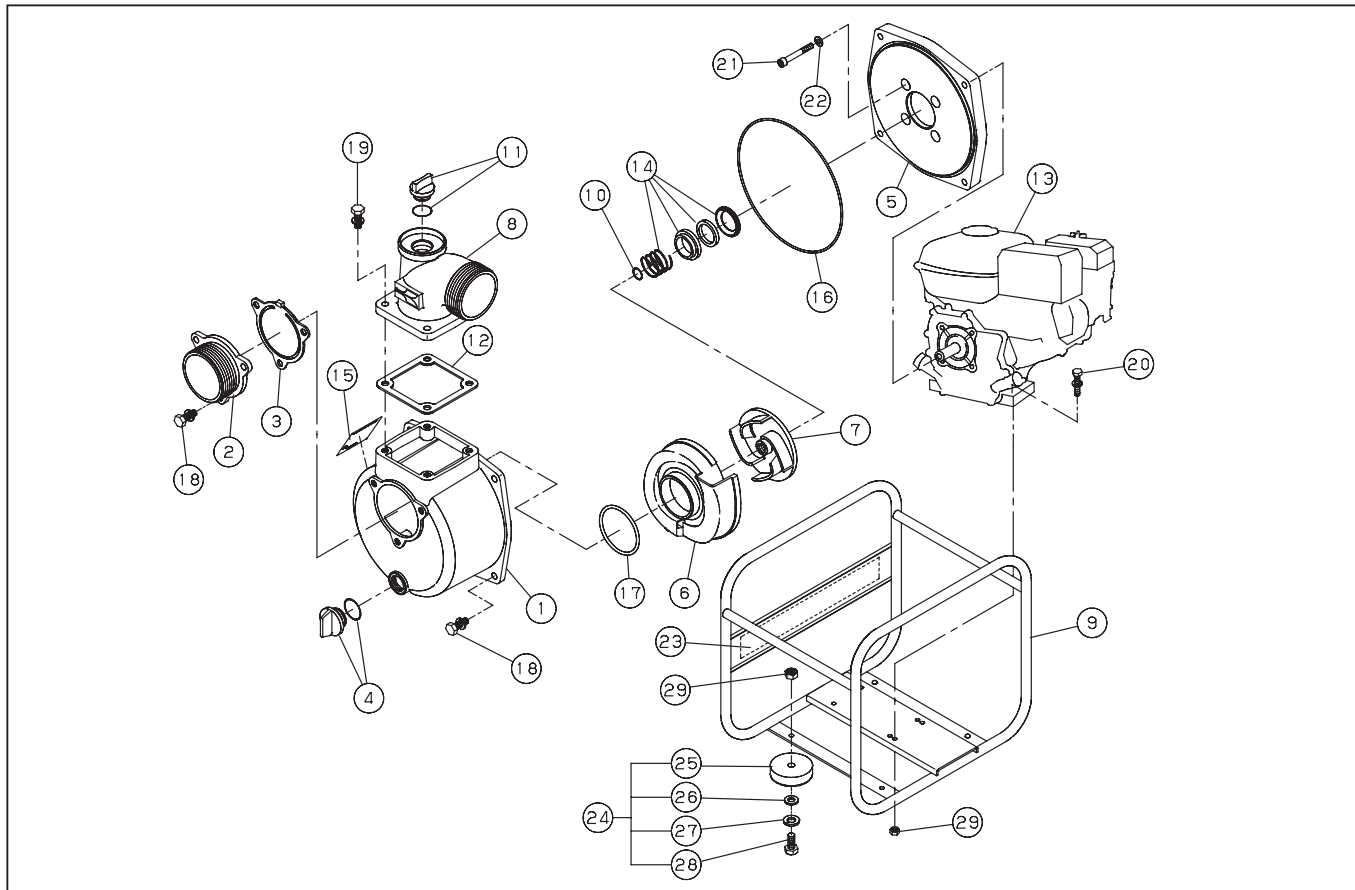


DWG No. 012910303 MODEL: SEV-80X FORM:SEV-80X-BAD-0

No.	PARTS CODE	PARTS NAME	QTY	MATERIAL	SIZE	REMARKS
1	012019602	PUMP CASING	1	ADC		
2	011287601	SUCTION FLANGE	1	ADC		
3	011279902	CHECK VALVE	1			
4	011807802	20A PLUG SET	1			
5	012130401	FLANGE BRACKET	1			
6	012104701	VOLUTE CASING	1			
7	012104602	IMPELLER	1			
8	011136104	DELIVERY FLANGE	1			(NPT)
9	012832001	BASE SET	1			
10	011049102	IMPELLER ADJUSTING WASHER	3	BSP		
11	011807901	25A PLUG SET	1			
12	011058402	FLANGE PACKING	1	CR		
13	012128301	ENGINE	1		(K-180)(USA)	
14	011066402	MECHANICAL SEAL	1		φ 20	
15	012128201	NAME PLATE	1			
16	011501502	O-RING	1	NBR	1517-46.5	
17	011398902	O-RING	1	NBR	P74	
18	743119061	HEXAGON BOLT	7	SWRM	M10X25	
19	743119063	HEXAGON BOLT	4	SWRM	M10X30	
20	743119053	HEXAGON BOLT	4	SWRM	M8X40	
21	734532076	HEXAGON SOCKET BOLT	4	SCM	M8X60	
22	854255008	SEAL WASHER	4		φ 8	
23	012042802	SIDE PANEL LABEL	1			
24	011734501	CUSHION RUBBER SET	1			
25	011051502	CUSHION RUBBER	4	F-23		
26	846007008	WASHER	4		φ 8	
27	843822008	SPRING WASHER	4		φ 8	
28	735719148	HEXAGON BOLT	4		M8X20	
29	827419008	HEXAGON NUT	8	SWRM	M8	
	012840001	OPERATION MANUAL SET	1			

◆ Bare engine can not be supplied

SEV-80X



DWG No.012910303 MODEL:SEV-80X FORM:SEV-80X-BAD-0

No.	PARTS CODE	PARTS NAME	QTY	MATERIAL	SIZE	REMARKS
	012128801	PACKING CASE	1			

◆ Bare engine can not be supplied