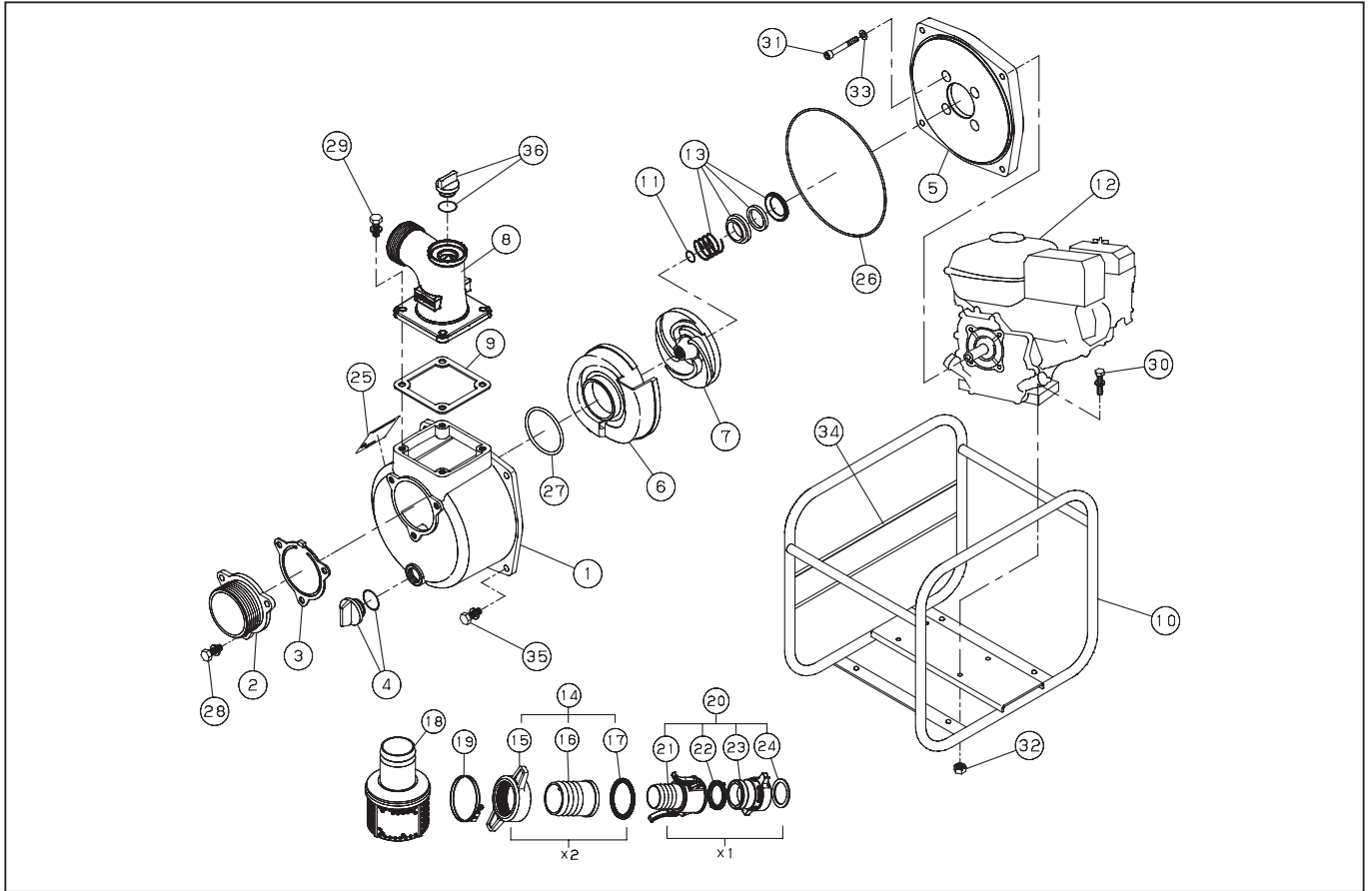


# SEV-80X

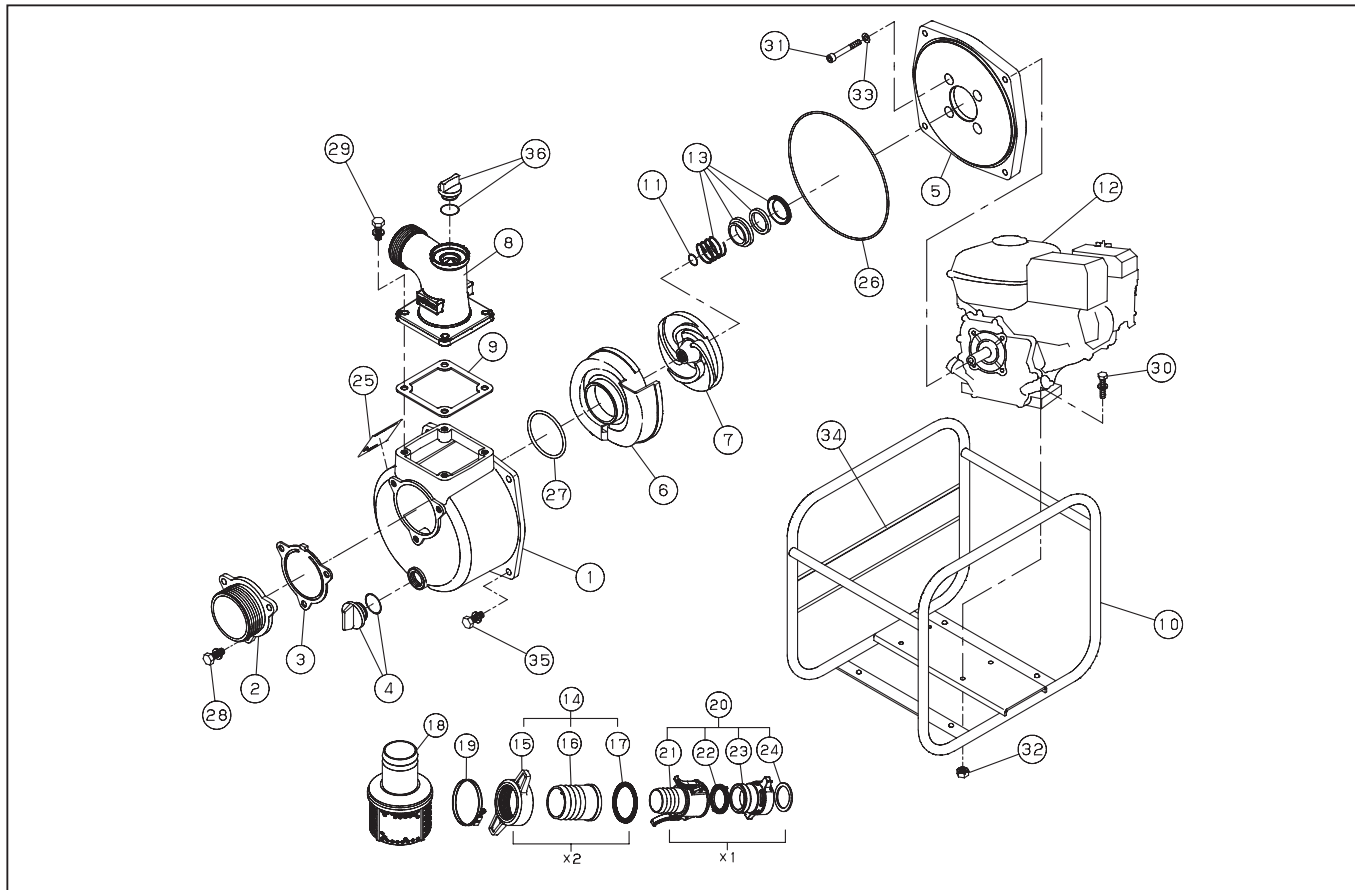


DWG No.012911301 MODEL:SEV-80X FORM:SEV-80X-BAG-0

No.	PARTS CODE	PARTS NAME	QTY	MATERIAL	SIZE	REMARKS
1	012019601	PUMP CASING	1	ADC		
2	011279701	SUCTION FLANGE FOR SE/SEH-80X	1	ADC		
3	011279902	CHECK VALVE	1			
4	011807802	20A PLUG SET	1			
5	012130401	FLANGE BRACKET	1			
6	012104701	VOLUTE CASING	1			
7	012104602	IMPELLER	1			
8	011057005	DELIVERY FLANGE	1			
9	011058402	FLANGE PACKING	1	CR		
10	012831501	BASE SET	1			
11	011049102	ADJUSTING WASHER	3	BSP		
12	012127301	ENGINE	1			
13	011066402	MECHANICAL SEAL	1		φ 20	
14	011702804	CUPLING SET	2			
15	011437503	CUPLING	2			
16	011030106	HOSE NIPPLE	2			
17	011437802	CUPLING PACKING	2			
18	011819502	STRAINER SET	1			
19	012106601	HOSE BAND	3			
20	011800701	QUICK COUPLING ASSY	1			
21	011800801	CAM LOCK NIPPLE (WITH LEVER)	1			
22	012048001	CAM LOCK PACKING	1			
23	012021602	CAM LOCK BODY	1	PA6+GF30%		
24	012021801	CAN LOCK BODY PACKING	1			
25	012132001	NAME PLATE	1			
26	011501502	O-RING	1			
27	011398902	O-RING	1			
28	743119061	BOLT M10X25	3	SWRM	M10X25	
29	743119063	BOLT M10X30	4	SWRM	M10X30	
30	743119053	BOLT M8X40	4	SWRM	M8X40	

◆ Bare engine can not be supplied

# SEV-80X



DWG No.012911301 MODEL:SEV-80X FORM:SEV-80X-BAG-0

No.	PARTS CODE	PARTS NAME	QTY	MATERIAL	SIZE	REMARKS
31	734532076	SOCKET BOLT M8X60	4	SCM	M8X60	
32	827419008	NUT M8	4	SWRM	M8	
33	854255008	SEAL WASHER	4		φ 8	
34	012042802	SIDE PANEL LABEL	1			
35	743119061	BOLT M10X25	4	SWRM	M10X25	
36	011807901	25A PLUG SET	1			
	012127502	OPERATION MANUAL	1	A5		
	012132201	MANUAL (SPEC)	1	A5		
	012127601	DECLARATION FORM	1			
	012132101	PACKING CASE	1			
	011471806	CE MARK LABEL	1			
	011471302	CAUTION LABEL	1			
	011643101	EU NOISE LABEL(101)	1	PET+PET		
	011473401	ENGINE CAUTION LABEL A	1			
	011473501	ENGINE CAUTION LABEL B	1			
	012126101	ENGINE "MADE IN JAPAN" LABEL	1			

◆ Bare engine can not be supplied