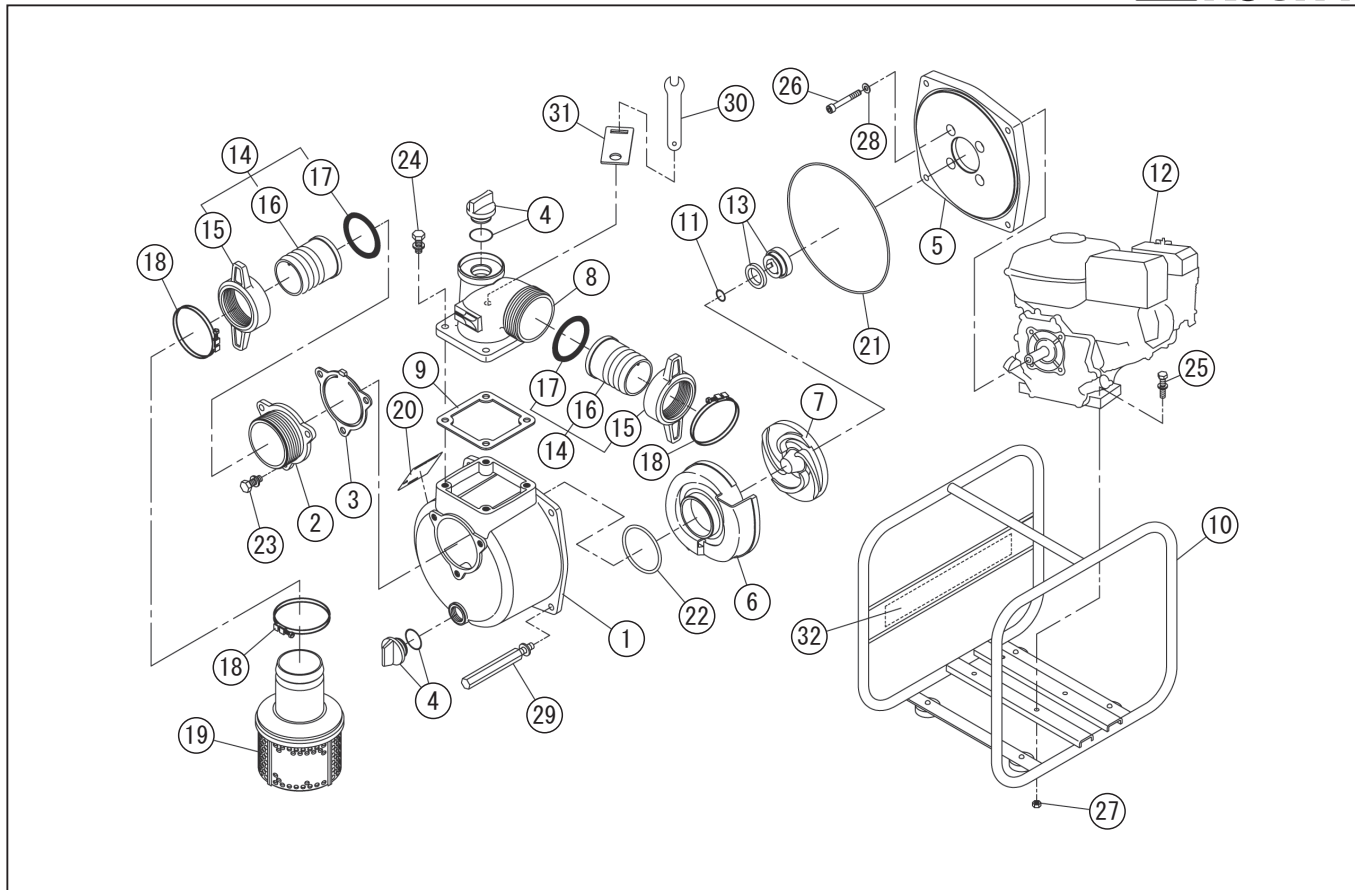


DWG No.012912107 MODELE:STV-50X FORM:STV-50X-BAA-2

No.	PARTS CODE	PARTS NAME	QTY	MATERIAL/SIZE	REMARKS
1	0120195	PUMP CASE	1	ADC "MADE IN JAPAN"	
2	0112662	SE-50X SUCTION FLANGE	1	ADC	
3	0112665	CHECK VALVE	1	NBR	
4	0118078	20A PLUG SET	2		
5	0114027	FLANGE BRACKET	1	ADC	
6	0115169	VOLUTE CASING	1	FCD450	
7	0121342	IMPELLER	1	FCD450	
8	0110556	DELIVERY FLANGE	1	ADC	
9	0110541	FLANGE PACKING	1	CR 70 °	
10	0128366	BASE SET	1		
11	0110491	IMPELLER ADJUSTING WASHER	3	BSP1 T0.3	
12	0121273	K180-D2 ENGINE	1	EPA/EU OA EU	
13	0115159	SEH-50T MECHANICAL SEAL	1	HJ-20(B)BSIC	
14	0117026	COUPLING SET	2		
15	0113390	COUPLING	2	ABS	
16	0110356	HOSE NIPPLE	2	ABS	
17	0113391	COUPLING PACKING	2	NBR	
18	940019060	HOSE BAND	3	φ 60	
19	0111286	STRAINER	1	SPC	
20	0121414	NAME PLATE	1		
21	0115014	O-RING 1517-42.5	1	1517-42.5 NBR	
22	0112792	O-RING	1	P54 NBR	
23	743119045	BOLT	3	M8×20 SWRM	
24	743119047	BOLT	4	M8×25 SWRM	
25	743119053	BOLT	4	M8×40 SWRM	
26	734532076	SOCKET BOLT	4	M8×60 SCM CS	
27	827419008	NUT	4	M8 SWRM	
28	854255008	SEAL WASHER	4	φ 8	
29	0115115	LONG BOLT M8X118	4	M8×118	
30	0115185	SPANNER 13MM	1	13MM	

◆ Bare engine can not be supplied



DWG No.012912107 MODELE:STV-50X FORM:STV-50X-BAA-2

No.	PARTS CODE	PARTS NAME	QTY	MATERIAL/SIZE	REMARKS
31	0115230	SPANNER HOLDER 13MM	1	13MM	
32	0120428	SIDE PANEL LABEL	1		
	0114718	CE MARK LABEL	1		
	0114713	CAUTION LABEL	1		
	0116282	EU NOISE LABEL(103)	1		

◆ Bare engine can not be supplied