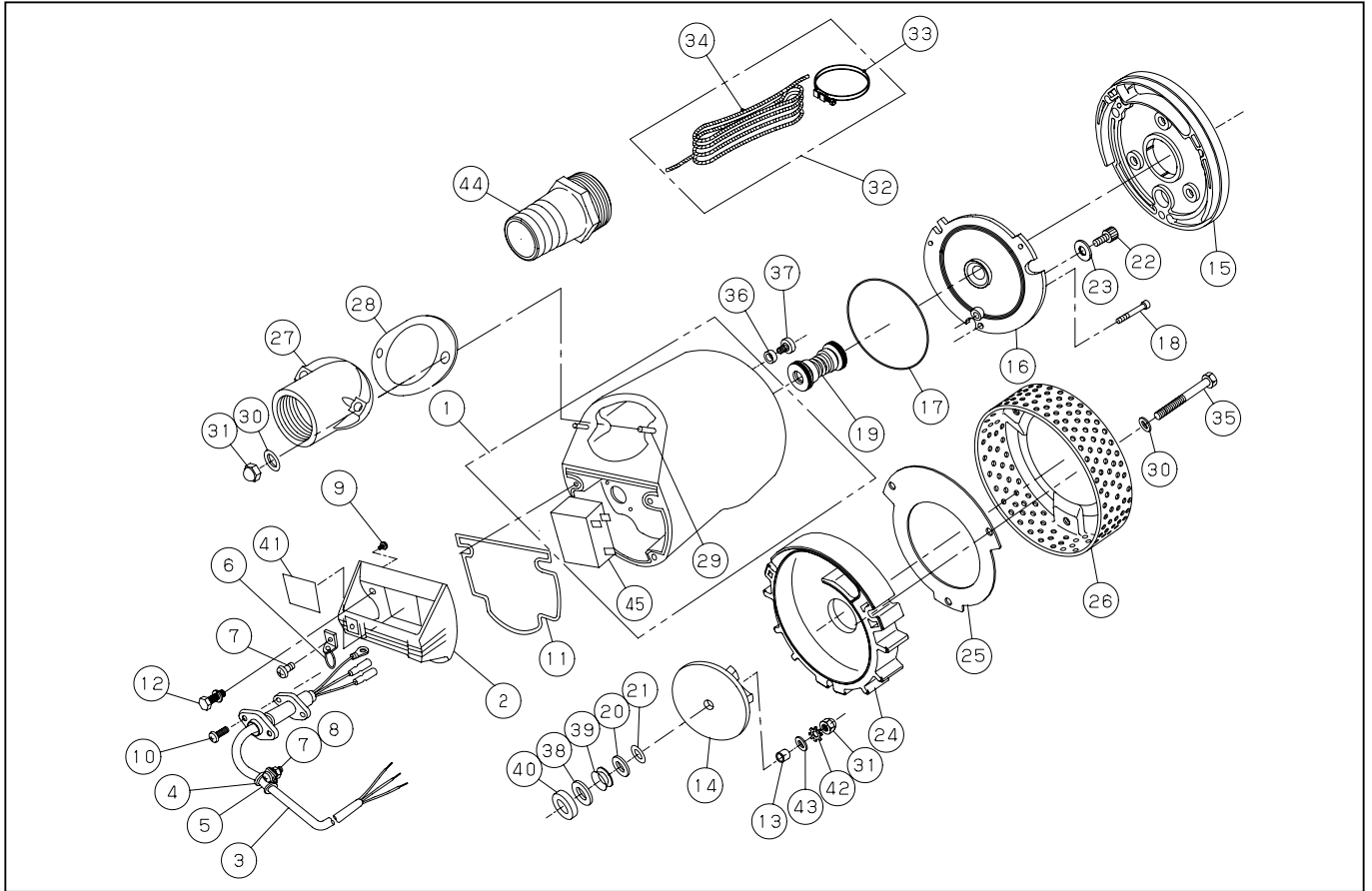


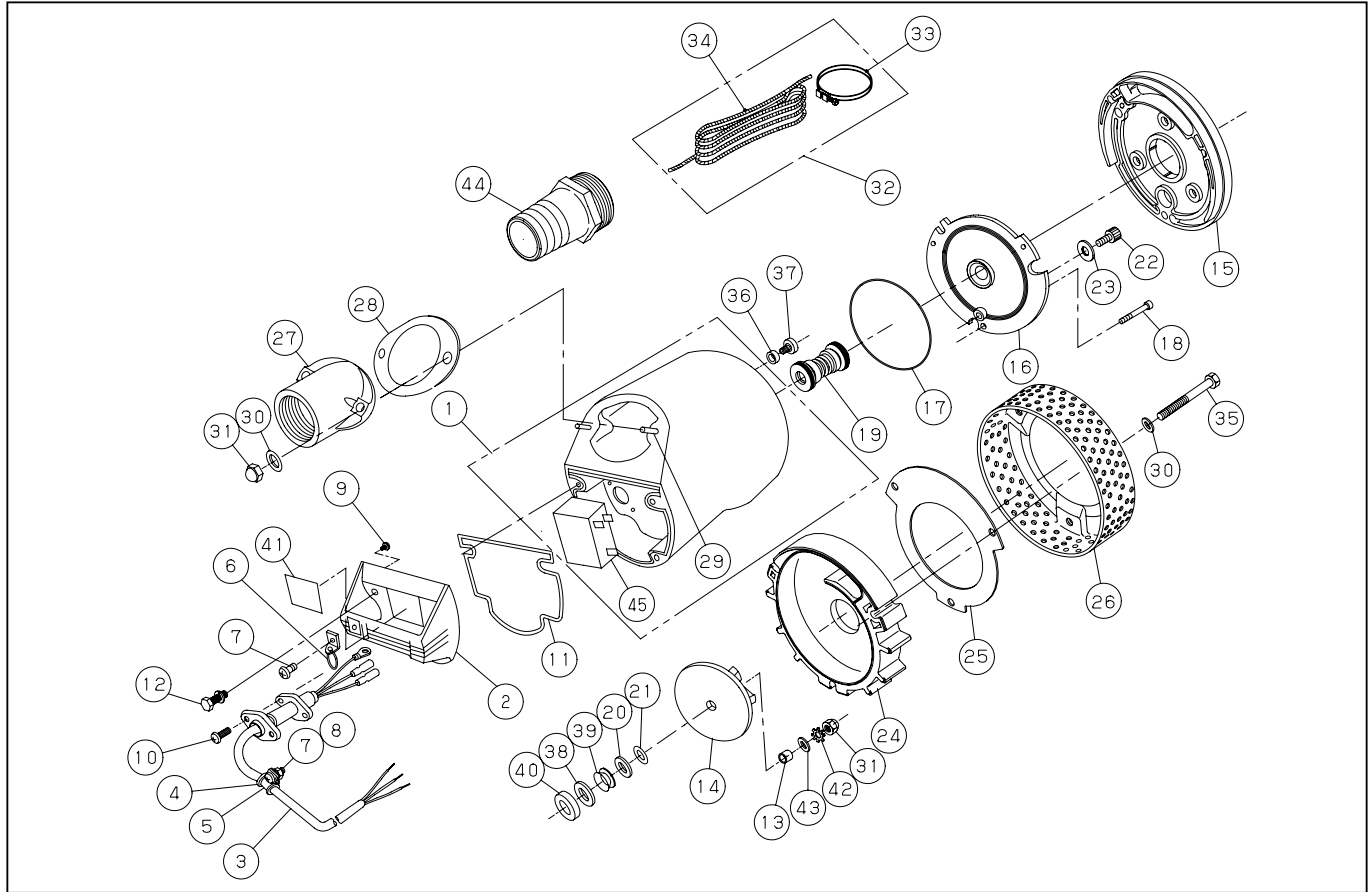
**PX-55022**



DWG No.043856415 MODEL:PX-55022 FORM:PX-55022-BAB-1

No.	PARTS CODE	PARTS NAME	QTY	MATERIAL	SIZE	REMARKS
1	043809904	MOTOR ASSY	1			
2	043040401	HANDLE	1			
3	043810501	POWER CORD ASSY	1	H07RN-F		
4	039003101	CORD SUPPORTER	1	CR		
5	026001801	CORD BAND	1	SUS		
6	043806601	CHAIN ASSY	1	SUS		
7	703305100	+ SCREW	2	SUS	M5X10	
8	827305005	HEXAGON NUT	1	SUS	M5	
9	707820074	+ SCREW	1	SWRM	M4X6	
10	703305102	+ SCREW	2	SUS	M5X14	
11	043028402	HEAD PACKING	1	NBR		
12	743605031	HEXAGON BOLT	4	SUS	M6X18	
13	043044101	IMPELLER FIXING BUSH	1	SUS		
14	043028505	IMPELLER	1			
15	043027302	BACK LINER	1	NBR		
16	043027103	FRONT COVER	1	ADC		
17	889955125	O-RING	1	NBR	G125	
18	734505037	HEXAGON SOCKET BOLT	3	SUS	M5X20	
19	039000301	MECHANICAL SEAL	1	DE560		
20	043030001	IMPELLER WASHER	1	SUS		
21	039002501	IMPELLER ADJUSTING WASHER	2	SUS		
22	039003702	HEXAGON SOCKET BOLT	1	SUS	M10X12	
23	854255010	SEAL WASHER	1		φ 10	
24	043027404	CASING	1			
25	043026901	SUCTION COVER	1	SUS		
26	043027001	STRAINER	1	SPCC		
27	043030501	DELIVERY FLANGE	1	ADC		
28	043028301	DELIVERY PACKING	1	NBR		
29	043029001	STUD BOLT	2		M8X36X11/21	
30	846005008	WASHER	5	SUS	φ 8	

**PX-55022**



DWG No.043856415 MODEL:PX-55022 FORM:PX-55022-BAB-1

No.	PARTS CODE	PARTS NAME	QTY	MATERIAL	SIZE	REMARKS
31	835305008	HEXAGON CAP NUT	3	SUS	M8	
32	043807003	ACCESSORY SET	1			
33	940019060	HOSE BAND	1		φ 60	
34	039010101	ROPE	1		5M	
35	735705162	HEXAGON BOLT	3	SUS	M8X70	
36	034014202	SM SEAL RING	1	NBR		
37	034015301	+ SCREW	1	SUS	M6X8	
38	043030101	THRUST WASHER	1	SUS		
39	895154014	OIL SEAL	1		VR14A	
40	043029901	THRUST PACKING	1	CR		
41	043033602	LABEL	1			
42	845305008	TOOTHED WASHER	1	SUS	8B	
43	846505008	WASHER	1	SUS	φ 8-1.6	
44	039021301	HOSE NIPPLE	1			
45	043039301	CONDENSER	1		8 μ F480VAC	
	039038301	PARAFFIN OIL		230cc		@160/100cc
	043033702	PACKING CASE	1			
	043031803	OPERATION MANUAL	1			
	043029702	LABEL	1			
	043031102	CAUTION LABEL	1			
	043034801	CE DECLARATION OF CONFIRMITY	1			