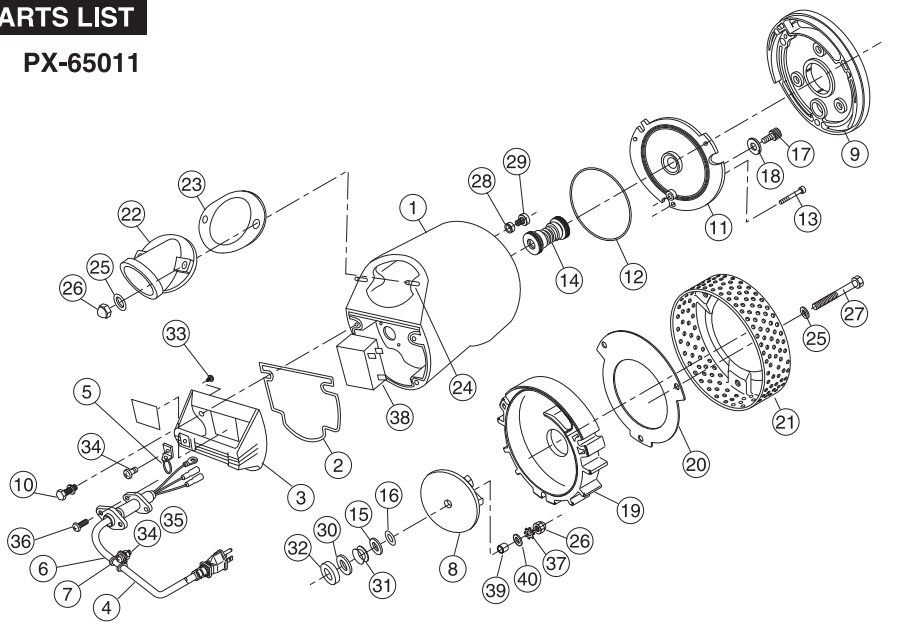


## PARTS LIST

PX-65011



No.	PARTS CODE	PARTS NAME	QTY
1	0438067	PX-5011 400 Motor	1
2	0430284	PX-50 Head Packing	1
3	0430268	PX-50 Handle	1
4	0430308	Power Cord	1
5	0438066	PX-50 Chain	1
6	0390031	PS-40 Cord Supporter	1
7	0260018	BL-3224 Cord Band	1
8	0430280	PX-50 60Hz Impeller	1
9	0430273	PX-50 Back Liner	1
10	743605031	Bolt	4
11	0430271	PX-50 Front Cover	1
12	889955125	O-ring	1
13	734505037	Socket Bolt	3
14	0390003	PS-40 Mechanical Seal	1
15	0430300	PX-50 Impeller Washer	1
16	0390025	PS-40 Impeller Adjusting Washer	2
17	0390037	PS-40 Socket Bolt	1
18	854255010	Seal Washer	1
19	0430274	PX-50 Casing	1
20	0430269	PX-50 Suction	1

No.	PARTS CODE	PARTS NAME	QTY
21	0430270	PX-50 Strainer	1
22	0430272	PX-50 NPT Delivery Flange	1
23	0430283	PX-50 Delivery Packing	1
24	0430290	PX-50 Stud Bolt	2
25	846205008	Washer	5
26	835305008	Nut	3
27	735705162	Bolt	3
28	0340142	SM Seal Ring	1
29	0340153	SM ⊕ Screw	1
30	0430301	PX-50 Thrust Washer	1
31	895154014	Oil Seal	1
32	0430299	PX-50 Thrust Packing	1
33	707820074	⊕ Screw	1
34	703305100	⊕ Screw	2
35	827305005	Nut	1
36	703305104	⊕ Screw	2
37	845305008	Toothed Washer	1
38	0430320	Condenser	1
39	0430441	PX-50 Impeller Bush	1
40	846505008	Washer	1



# KOSHIN LTD.

[www.koshinpump.com](http://www.koshinpump.com)

12 Kami-Hachinotsubo Kotari, Nagaokakyo City, Kyoto 617-8511 JAPAN  
 TEL.+81-75-954-6111 FAX.+81-75-954-6119

15-08 043031006



## HIGH PERFORMANCE SUBMERSIBLE PUMP, OPERATION MANUAL

# PONSTAR

### PX SERIES

Thank you for purchasing KOSHIN submersible pump.  
 Upon receipt, please check the following:

- Model is exactly what you have ordered.
- There is no damage made during transportation.
- Accessories are all supplied.
- Please contact dealer if need further assistance.

Please read manual before operation.

### "ACCEPTABLE FOR INDOOR OR OUTDOOR USE" "SUBMERSIBLE PUMP"

#### ⚠ CAUTION ⚠

Before use, please make sure to read the instruction manual.  
 Do not operate the pump out of water or insufficient water.

#### ⚠ WARNING ⚠

Risk of electric shock. This pump is supplied with a grounding conductor and grounding-type attachment plug. To reduce risk of electrical shock, connect only to a properly grounded, grounding-type receptacle.  
**TO REDUCE THE RISK OF ELECTRIC SHOCK, INSTALL ONLY ON A CIRCUIT PROTECTED BY A GROUND-FAULT CIRCUIT-INTERRUPTER (GFCI).**

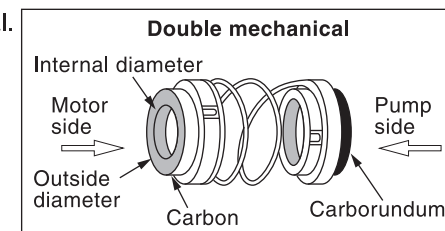
#### ⚠ NOTE ⚠

This pump has not been investigated for use in swimming pool or marine areas.  
 This pump has been evaluated for use with water only.

#### ⚠ CAUTION

The pump is used a double mechanical seal.  
 (See figure)  
 Consulting the following table assemble it.

Mechanical seal	Motor side (Carbon)	Pump side (Carborundum)
Outside diameter	20.5mm	20.0mm
Internal diameter	16.0mm	15.5mm

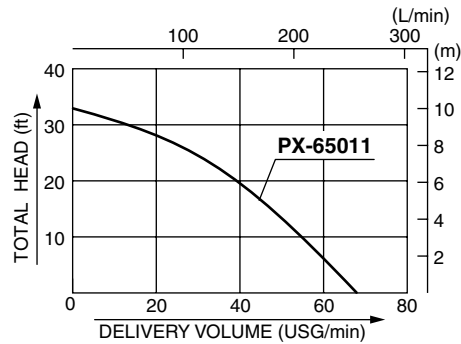


## SPECIFICATIONS

Model		PX-65011
PUMP	Connection Dia	2" (50mm)
	Total Head	32.8ft (10m)
	Delivery Volume	68.65GPM (260L/min)
MOTOR	Voltage	Single 110V
	Frequency	60Hz
	Rated Current	6.5A
	Consumption of Electric Power	700W
	Out put	400W
	Revolution	3400rpm
	Power Cord	19.7ft (6m)
Net weight		24 Lbs. (11kg)
Standard Accessories		16.4ft (5m) Rope

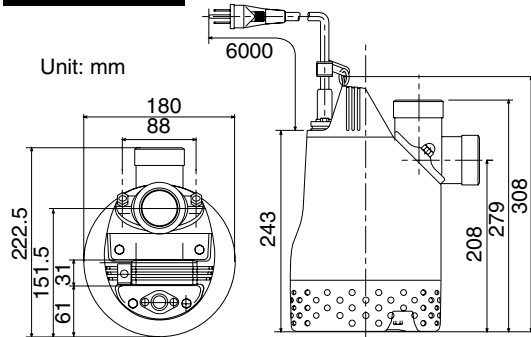
\*Motive current sends about three times as much as rated current.

## PERFORMANCE CURVE

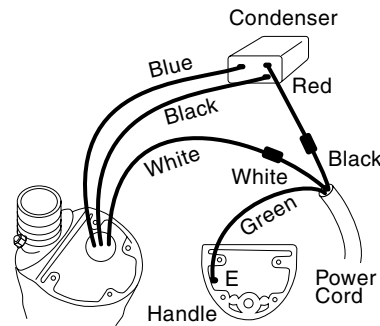


Note: Performance ratings are guaranteed minimum, not inflated maximum.

## DEMENSION



## WIRING DIAGRAM



## INSTALLATION AND USE

- An acceptable motor-control switch shall be provided at the time of installation.
- CSA enclosure 3
- Thermally protected

## AFTER USING PUMP

1. In cold climates, do not allow pump to freeze.  
Remove pump from water to prevent damage due to freezing.
2. Completely drain and dry pump of water before storing.

## TROUBLESHOOTING GUIDE

PROBLEM	POSSIBLE CAUSE	SOLUTION
No start at all or stops immediately after start	Not properly connected to power circuit	Correct the connection
	The GFCI, leakage circuit breaker is actuated	Check the power circuit
	The impeller is caught by foreign substance	Repair the point of leakage
	Motor is burnt	Repair or replace
	Voltage drop	Raise the voltage to the rating
Failure during operation	The protector is actuated	Remove foreign substance if the impeller is clogged
		Lower the liquid temperature if it is too high
No pumping or poor performance	Voltage drop	Raise the voltage to the rating
	High delivery head	Lower the head
	Discharge pipe is clogged	Overhauling
	Impeller wear	Replacement
	Clogging of foreign matter in strainer pump	Overhauling

## CAUTION

### 1. Leak Current Breaker

For home use, attach a leak current breaker, GFCI (offered separately) to ensure safety.

### 2. Connect the power source

Absolutely refrain from connecting this pump to any other power source than 110V AC, 60Hz.

### 3. Water to use

\*Absolutely refrain from using the pump for any oil, sea water, strong alkaline or strong acidic solution, or any agricultural chemicals.

### 4. Do not run dry!

Idling can cause trouble, to prevent short cycling place pump at deepest position as possible.

### 5. Handling of power cord (cabtype cable)

- a. Never lift or move pump by power cord. Only lift by handle or tie rope supplied to handle.
- b. Select and use proper size extension cord. Do not run extension cord in water.

### 6. Using in bath, etc.

Do not enter the water when pump is being used.