

TROUBLESHOOTING GUIDE

PROBLEM	POSSIBLE CAUSE	SOLUTION
No start at all or stops immediately after start	Not properly connected to power circuit	Correct the connection
	The GFCI, leakage circuit breaker is actuated	Check the power circuit
	The impeller is caught by foreign substance	Overhauling
	Motor is burnt	Repair or replace
	Voltage drop	Raise the voltage to the rating
Failure during operation	The protector is actuated	Remove foreign substance if the impeller is clogged Lower the liquid temperature if it is too high
No pumping or poor performance	Voltage drop	Raise the voltage to the rating
	High delivery head	Lower the head
	Discharge pipe is clogged	Overhauling
	Impeller wear	Replacement
	Clogging of foreign matter in strainer pump	Overhauling

- 5 -

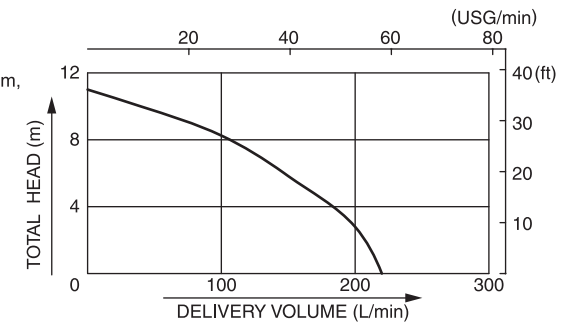
SPECIFICATIONS

MODEL		PQ-55022
PUMP	Connection Dia	50 mm (2")
	Total Head	11 m (36 ft)
	Delivery Volume	220 L/min (58GPM)
MOTOR	Voltage	AC-220V
	Frequency	50 Hz
	Rated Current	2.7 A
	Revolution	2800 rpm
	Model	Induction Motor
	Power Cord	5 m (16.0 ft)
Standard Accessories		1 Hose Band / 1 Rope (5m)
Net Weight		11.5 kg

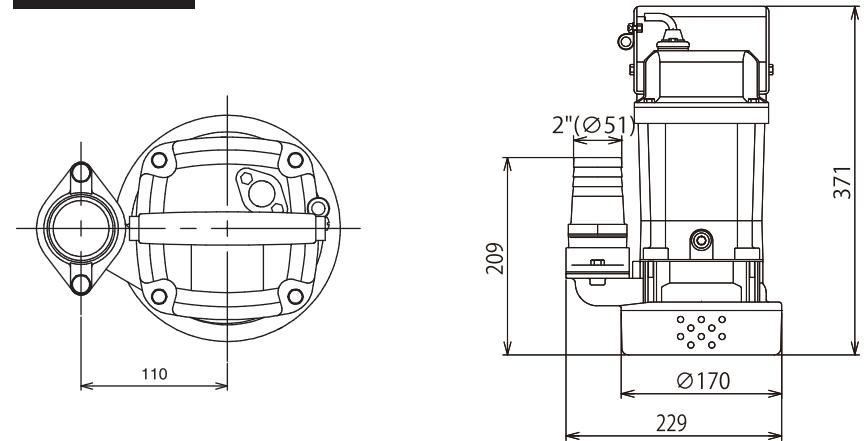
*Starting current is three times higher than rated current.

PERFORMANCE CURVE

*Performance ratings are guaranteed minimum, not inflated maximum.
**Starting current is three times higher than rated current.

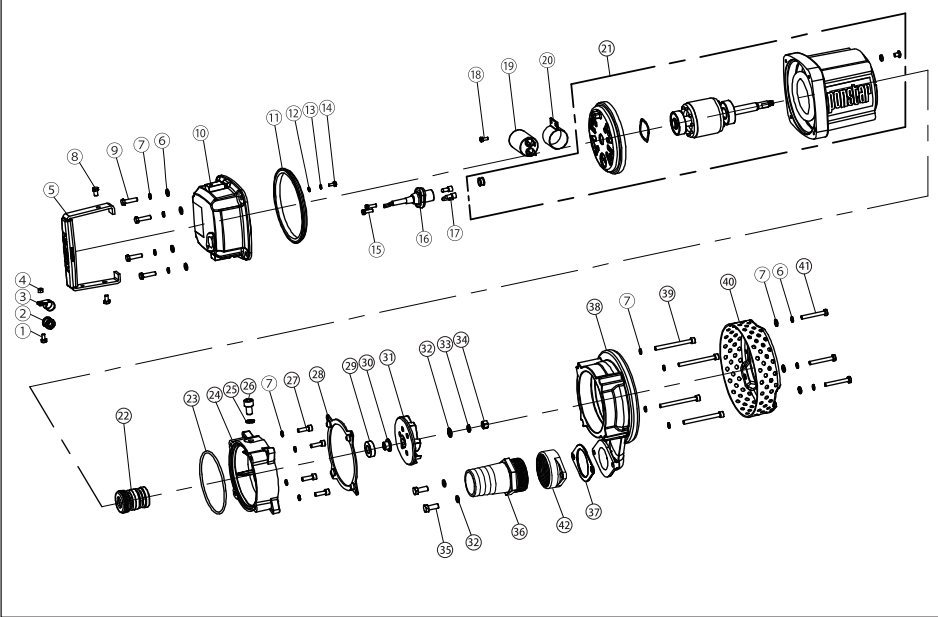


DEMENSION



- 6 -

PARTS LIST



PQ-55022-BAA-1

No.	PARTS CODE	PARTS NAME	STANDARD MATERIAL	QTY	No.	PARTS CODE	PARTS NAME	STANDARD MATERIAL	QTY
1	0390860	⊕Screw	SUS M5x12	1	22	0390878	Mechanical Seal	Carbon/Ceramic/Silicon Carbide	1
2	0390859	Cord supporter	NBR	1	23	0390852	O-Ring	NBR	1
3	0390836	Cord band	SUS	1	24	0390791	Mecha Box	ADC	1
4	0390861	Nut	SUS	1	25	0390879	Seal Washer	SUS+NBR	1
5	0390795	Handle	A3+NBR	1	26	0390850	Socket Bolt	SUS M10x16	1
6	0390857	Washer	SUS φ 6	7	27	0390875	Bolt	SUS M6x20	4
7	0390858	Spring Washer	SUS φ 6	15	28	0390801	Casing Packing	NBR	1
8	0390856	⊕Screw	SUS M6x10	2	29	0390871	Oil Seal	14x28x8	1
9	0390869	⊕Screw	SUS M6x20	4	30	0390894	Wear sleeve		1
10	0390794	Head Cover	ADC	1	31	0390789	Impeller	TPU+SUS	1
11	0390799	Head Packing	NBR	1	32	0390898	Washer	SUS φ 8	3
12	0390865	Washer	SUS φ 4	1	33	0390899	Spring Washer	SUS φ 8	1
13	0390866	Spring Washer	SUS φ 4	1	34	0390897	Nut	SUS M8	1
14	0390864	⊕Screw	SUS M4x10	1	35	0390849	Hexagon bolt	SUS M8x20	2
15	0390863	Hexagon Bolt	SUS M5x16	2	36	0390797	Hose Nipple	ADC	1
16	0390902	Power Cord		1	37	0390800	Flange Packing	NBR	1
17	0390900	Terminal	φ 5	3	38	0390790	Casing		1
18	0390855	⊕Screw	M4x10	1	39	0390895	Bolt	SUS M6x70	4
19	0390807	Capacitor	10uF/450V	1	40	0390788	Strainer		1
20	0390862	Capacitor clip		1	41	0390892	Bolt	SUS M6x45	3
21	0398193	Motor Set		1	42	0390796	Delivery Flange		1

- 7 -

- 8 -