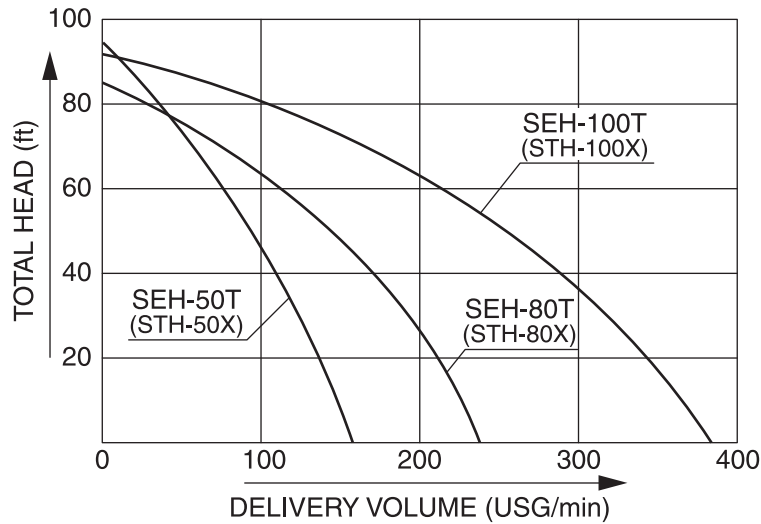


PERFORMANCE CURVE



Note: Performance ratings are guaranteed minimum, not inflated maximum.

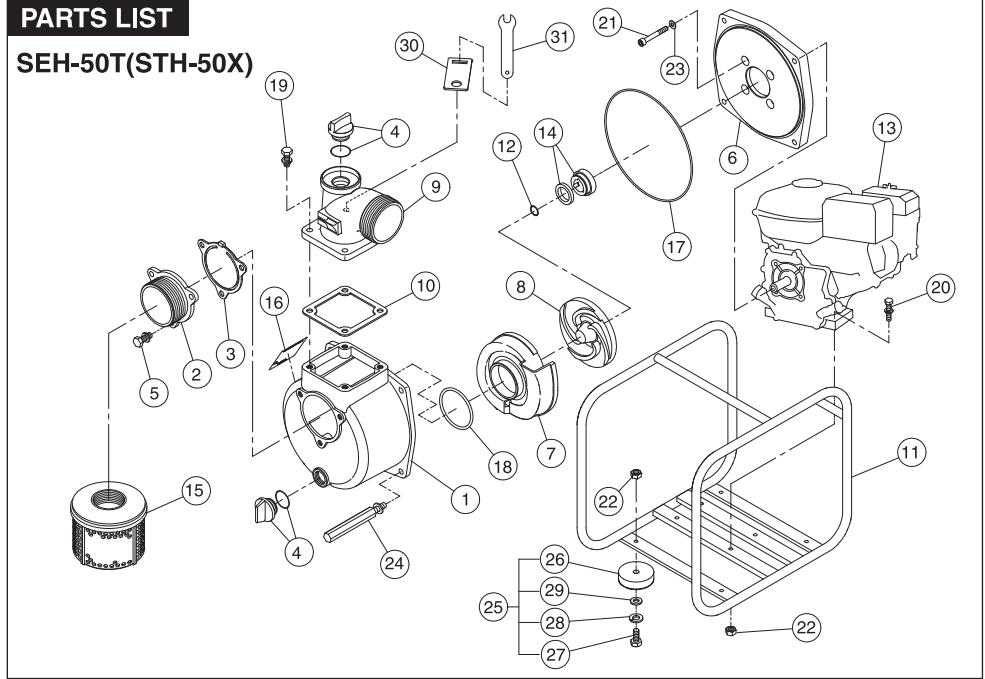
SPECIFICATIONS

Model		SEH-50T (STH-50X)	SEH-80T (STH-80X)	SEH-100T (STH-100X)	
PUMP	Connection Dia	50mm (2")	80mm (3")	100mm (4")	
	Connection Thread	National Pipe Thread			
	Total Head	29m (95ft)	26m (85ft)	28m (91ft)	
	Delivery Volume	600L/min (158USG/min)	900L/min (238USG/min)	1450L/min (383USG/min)	
	Max. Suction Head	8m (26ft)			
ENGINE	Model	HONDA GX120	HONDA GX160	HONDA GX240	
		Forced Air-cooled 4-stroke Gasoline Engine			
	Exhaust Volume	118cc	163cc	270cc	
	Output	Rated Power	2.1kW (2.9PS)/3600rpm	2.9kW (3.9PS)/3600rpm	4.6kW (6.3PS)/3600rpm
		Max Power	2.6kW (3.5PS)/3600rpm	3.6kW (4.9PS)/3600rpm	5.9kW (8.0PS)/3600rpm
	Fuel	Automotive Unleaded Gasoline			
	Fuel Tank capacity	2.0L (0.43gal)	3.1L (0.68gal)	5.3L (1.16gal)	
	Fuel Consumption Hour (full tank)	2hrs	2hrs	2.5hrs	
Starting Method	Recoil Starter				
Standard Accessories	1 Strainer, 1 Spanner, 1 Engine Tool Set				
Net Weight	23kg (51lb)	29kg (64lb)	56kg (123lb)		

For the purpose of improvement, specifications are subject to changes without notice.

PARTS LIST

SEH-50T(STH-50X)



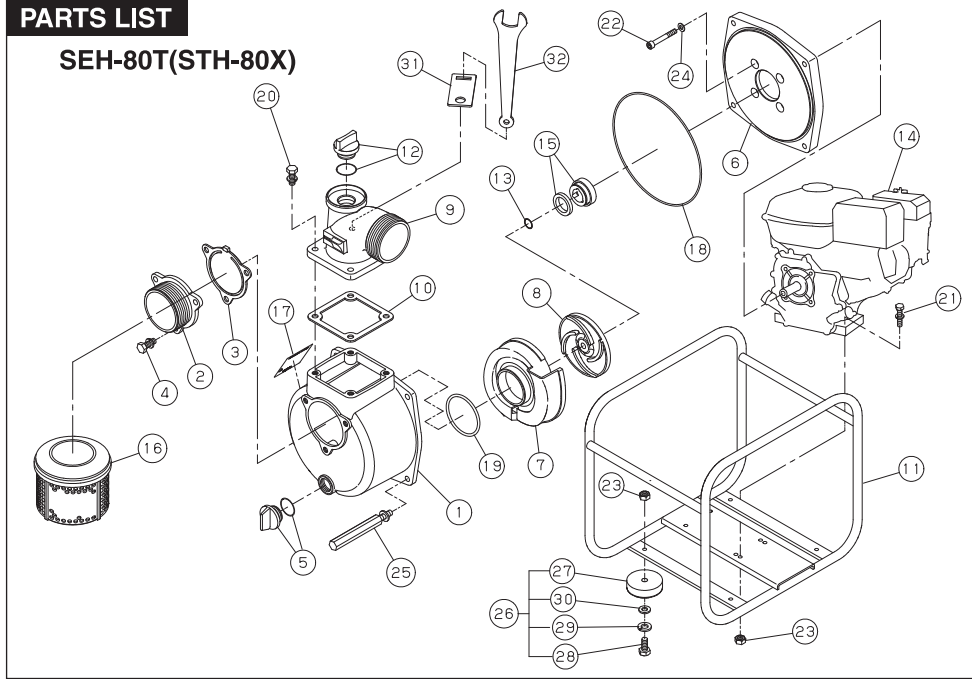
SEH-50T (STH-50X)

No.	PARTS CODE	PARTS NAME	QTY
1	0120195	Pump Casing	1
2	0112822	Suction Flange	1
3	0112665	Check Valve	1
4	0118078	20A Plug Set	1
5	743119045	Bolt M8X20	3
6	0114027	Flange Bracket	1
7	0115169	Volute Casing	1
8	0115168	Impeller	1
9	0120687	Delivery Flange	1
10	0110541	Flange Packing	1
11	0128238	Base Set	1
12	0110466	Adjusting Washer	3
13	—	Engine	1
14	0115159	Mechanical Seal	1
15	0111893	Strainer	1
16	0115229	Name Plate	1
17	0115014	O-Ring 1517-42.5	1
18	0112792	O-Ring P54	1
19	743119047	Bolt M8X25	4
20	743119051	Bolt M8X35	4

No.	PARTS CODE	PARTS NAME	QTY
21	734532076	Socket Bolt M8X60	4
22	827419008	Nut M8	8
23	854255008	Seal Washe φ8	4
24	0115115	Long Bolt M8X118	4
25	0117345	Cushion Rubber Set	1
26	0110515	Cushion Rubber	4
27	735719148	Bolt M8X20	4
28	843822008	Spring Washer φ8	4
29	846007008	Washer φ8	4
30	0115230	Spanner Holder 13mm	1
31	0115185	Spanner 13mm	1

PARTS LIST

SEH-80T(STH-80X)



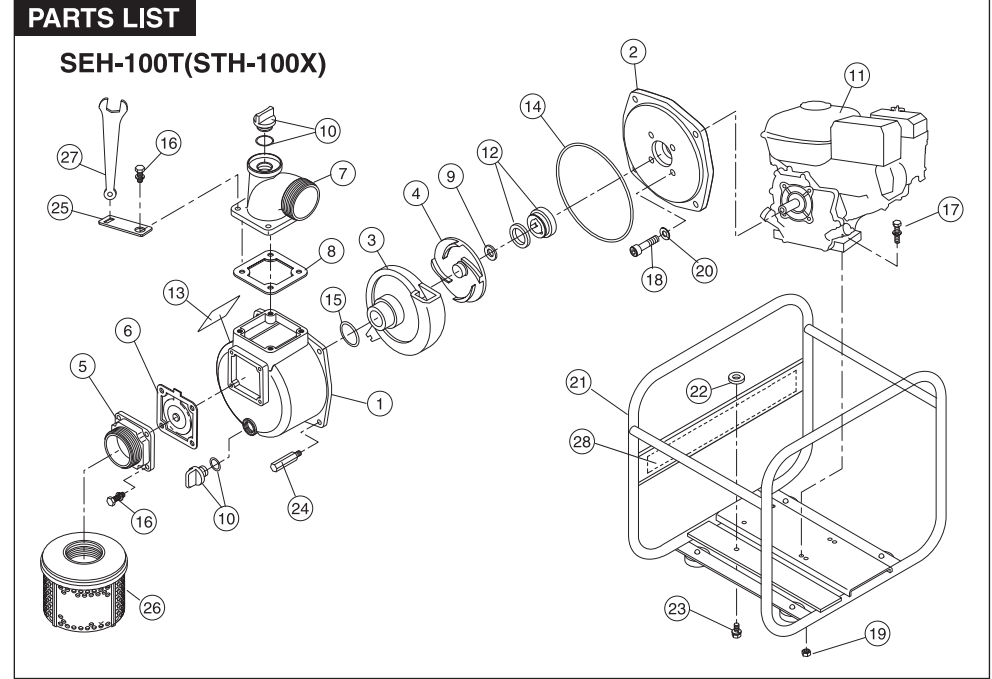
SEH-80T (STH-80X)

No.	PARTS CODE	PARTS NAME	QTY
1	0120196	Pump Casing	1
2	0112876	Suction Flange	1
3	0112799	Check Valve	1
4	743119061	Bolt M10X25	3
5	0118078	20A Plug Set	1
6	0120931	Flange Bracket	1
7	0115541	Volute Casing	1
8	0115539	Impeller	1
9	0111361	Delivery Flange	1
10	0110584	Flange Packing	1
11	0128335	Base Set	1
12	0118079	25A Plug Set	1
13	0110491	Adjusting Washer	3
14	—	Engine (With Oil Alert)	1
15	0115159	Mechanical Seal	1
16	0111894	Strainer	1
17	0115597	Name Plate	1
18	0115015	O-Ring 1517-46.5	1
19	0113989	O-Ring P74	1
20	743119063	Bolt M10X30	4

No.	PARTS CODE	PARTS NAME	QTY
21	743119053	Bolt M8X40	4
22	734532075	Socket Bolt M8X55	4
23	827419008	Nut M8	8
24	854255008	Seal Washer ϕ 8	4
25	0115542	Long Bolt M10X160	4
26	0117345	Cushion Rubber Assy	1
27	0110515	Cushion Rubber	4
28	735719148	Bolt M8X20	4
29	843822008	Spring Washer ϕ 8	4
30	846007008	Washer ϕ 8	4
31	0115588	Spanner Holder 17mm	1
32	0115589	Spanner 17mm	1

PARTS LIST

SEH-100T(STH-100X)



SEH-100T (STH-100X)

No.	PARTS CODE	PARTS NAME	QTY
1	0115691	Pump casing	1
2	0115763	Flange bracket	1
3	0120600	Volute casing	1
4	0120599	Impeller	1
5	0111365	Suction flange	1
6	0117363	Check valve set	1
7	0116151	Delivery flange	1
8	0110750	Delivery flange packing	1
9	0110081	Impeller adjusting washer	3
10	0118079	25A Plug set	2
11	—	Engine	1
12	0115678	Mechanical seal ϕ 20	1
13	0120718	Name plate	1
14	890455080	O-ring 1516-80	1
15	889855090	O-ring P90	1
16	743119080	Bolt M12x35	8
17	743119067	Bolt M10x40	4
18	734532078	Socket bolt M8x70	4
19	827419010	Nut M10	4
20	854255008	Seal washer ϕ 8	4

No.	PARTS CODE	PARTS NAME	QTY
21	0128185	Base set	1
22	0115923	Rubber sheet	1
23	743119045	Bolt M8x20	1
24	0120601	Long bolt M12	4
25	0120602	Spanner holder	1
26	0120667	Strainer	1
27	0120603	Spanner	1
28	0120428	Side Panel Label	1