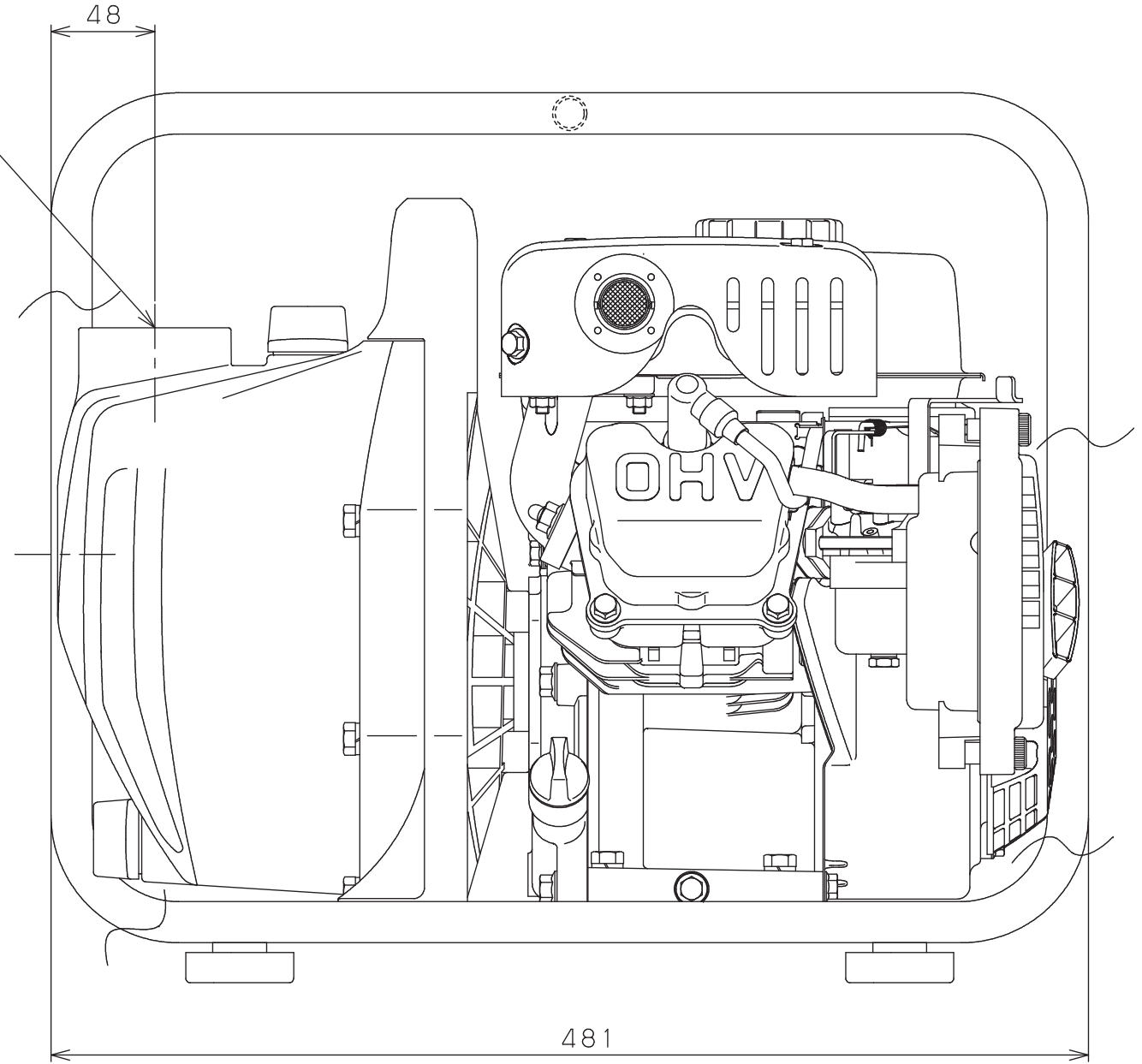
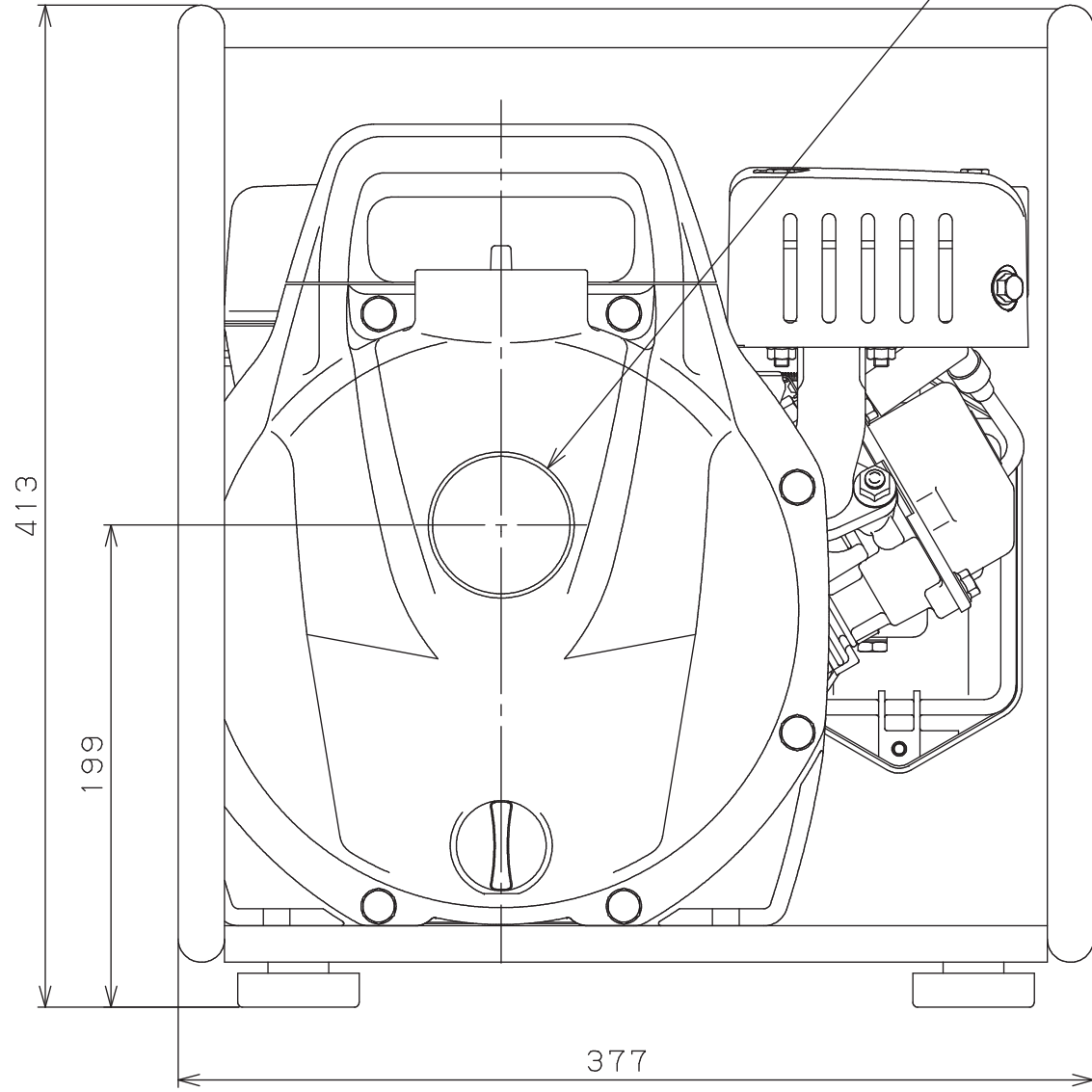


管用平行ネジ (G2)



PGM-50G-AAA-0