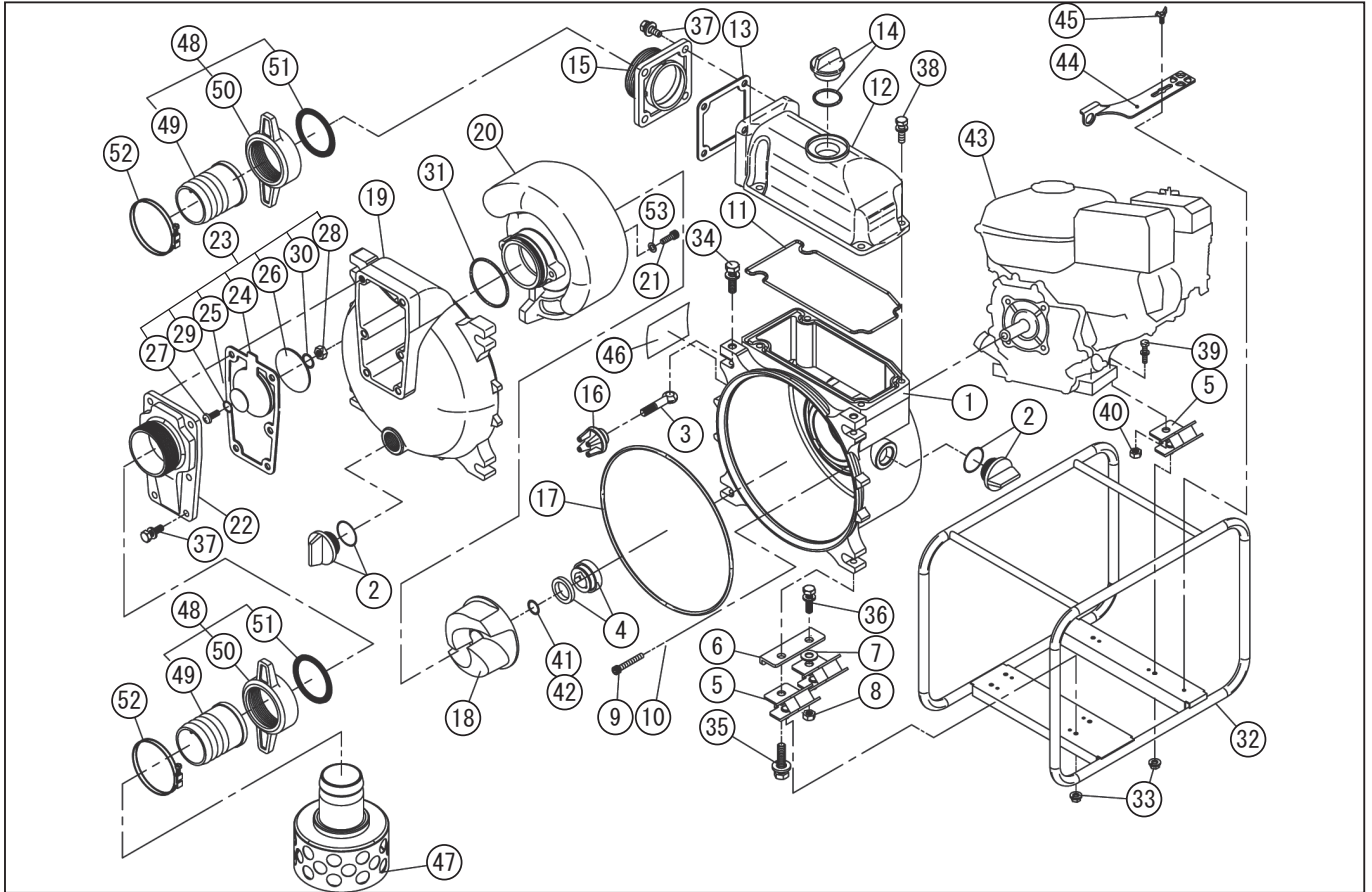


DWG No.012933401 MODEL : KTH-100X FORM : KTH-100X-BAN-0(GX340UT2)

No.	PARTS CODE	PARTS NAME	QTY	MATERIAL/SIZE	REMARKS
1	0116150	PUMP CASING	1	ADC	
2	0118079	25A PLUG SET	2		
3	0115580	COVER BOLT	4	S35C	
4	0115678	KTH-80X MECHANICAL SEAL	1	HJ-25(B)BSIC	
5	0116172	CUSHION RUBBER	6	CR 60°	
6	0116273	RUBBER MOUNT	2	SPC T4.5	
7	846211012	WASHER	2	12	
8	827419012	NUT	2	M 1 2	
9	0116492	FLANGE SOCKET BOLT	4	M8×50 SCM	
10	0116493	WASHER	4	A1100 PH14	
11	0115548	HEAD PACKING	1	NBR70°	
12	0116148	KTH-100X DELIVERY HOUSING	1	ADC	
13	0110750	FLANGE PACKING	1	CR	
14	0118450	32A PLUG SET	1		
15	0116188	SUCTION FLANGE	1		
16	0115590	KNOB	4		
17	0115579	FRONT COVER PACKING	1	NBR	
18	0115626	IMPELLER	1	HRFC	
19	0116490	FRONT COVER	1	ADC "MADE IN JAPAN"	
20	0116488	VOLUTE CASING	1	FCD450	
21	0121539	SOCKET BOLT	3	M8×35 A2-80	
22	0116268	SUCTION FLANGE	1	ADC	
23	0118261	CHECK VALVE	1		
24	0110751	CHECK VALVE PACKING	1	CR	
25	0111216	OUTER WEIGHT	1	SPC	
26	0110474	INNER WEIGHT	1	SPC	
27	703319129	+SCREW	1	M 8 × 2 0 SWRM	
28	827419008	NUT	1	M8 SWRM	
29	854255008	SEAL WASHER	1	φ 8	
30	843822008	SPRING WASHER	1	φ 8	



DWG No.012933401 MODEL : KTH-100X FORM : KTH-100X-BAN-0(GX340UT2)

No.	PARTS CODE	PARTS NAME	QTY	MATERIAL/SIZE	REMARKS
31	0116270	O-RING	1	NBR φ 104.5 × φ 3.5	
32	0117702	BASE SET	1		
33	842319008	SPRING NUT	6	SWRM	
34	743119083	BOLT	2	SWRM M12*45	
35	743119084	BOLT	2	M 1 2 × 5 0 SWRM	
36	743119076	BOLT	2	M 1 2 × 2 5 SWRM	
37	743119080	BOLT	10	M 1 2 × 3 5 SWRM	
38	743119063	BOLT	4	M10×30 SWRM	
39	743119067	BOLT	2	M10×40 SWRM	
40	827419010	NUT	2	M10 SWRM	
41	0110561	ADJUSTING WASHER	1	BSP	
42	0116405	ADJUSTING WASHER	2	BSP1	
43	0114479	GX340UT2PKX2 ENGINE	1		
44	0116204	TOOL	1	SPC	
45	741305153	WING BOLT	1	M8×15 SUS	
46	0122634	NAME PLATE	1		
47	0110979	KTH-100X STRAINER	1	SPC	
48	0117639	COUPLING SET	2	ADC	
49	0110471	HOSE NIPPLE	2	ADC	
50	0116189	COUPLING	2	ADC (0111477)	
51	0111478	COUPLING PACKING	2	NBR	
52	940407120	HOSE BAND	3	#72(48-127)	
53	0121540	WASHER	3	8.1*17*T2 MFZN II +HC	
	0114713	CAUTION LABEL	1		
	0114718	CE MARK LABEL	1		
	0116413	EU NOISE LABEL (110)	1		
	0122635	KTH-100X-BAU BAR CODE LABEL	2		

◆ Bare engine can not be supplied