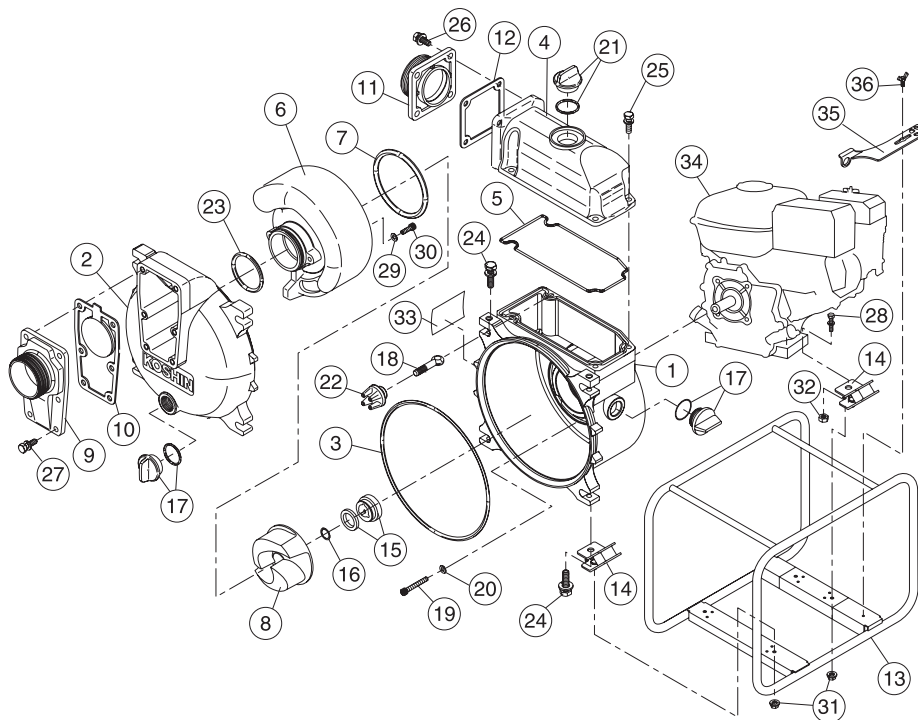


KTH-50X

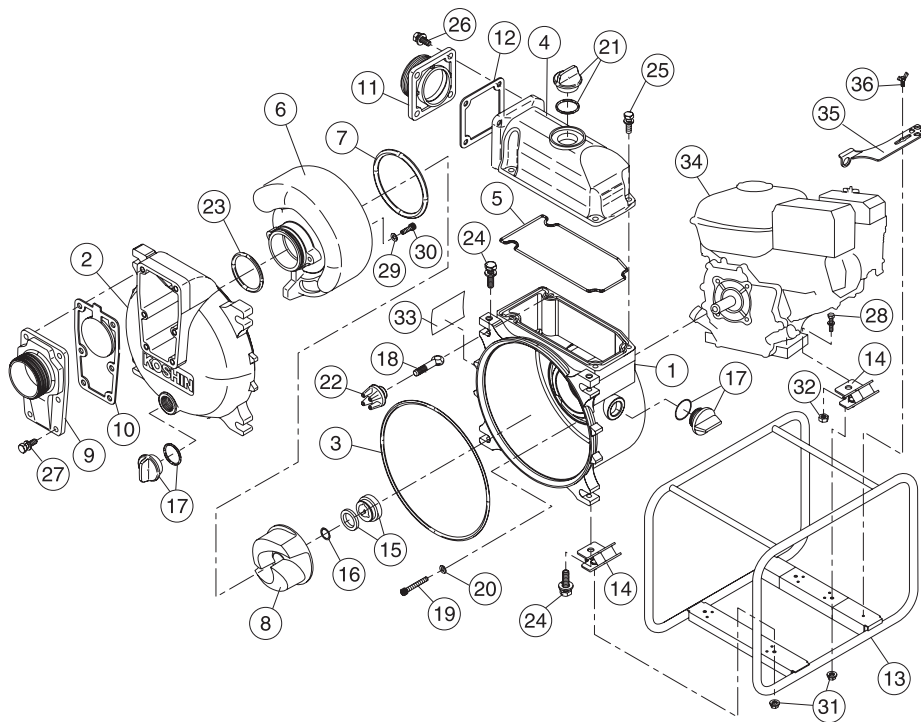


DWG No.012855806 MODEL: KTH-50X FORM: KTH-50X-BAA

No.	PARTS CODE	PARTS NAME	QTY	MATERIAL	SIZE	REMARKS
1	011544605	Pump Casing	1			
2	011554501	Front Cover	1	ADC		
3	011557901	Front Cover Packing	1	NBR		
4	011544502	Delivery Housing	1	ADC		
5	011554801	Head Packing	1	NBR70°		
6	011548904	Volute Casing	1			
7	011557801	Casing Packing	1	NBR		
8	011544703	Impeller	1			
9	011549201	Suction Flange	1	ADC12		
10	011578001	Check Valve	1	NBR NEO-180		
11	011544401	Delivery Flange	1	ADC		
12	011549001	Flange Packing	1	CR		
13	011781601	Base Set	1		NO.373	
14	011617202	WT Cushion Rubber	4	CR 60°		
15	011515902	Mechanical Seal	1			
16	011049102	Adjusting Washer	3	BSP		
17	011807901	25A Plug Set	2			
18	011558002	Cover Bolt	4			
19	011651701	Socket Bolt M8X60	4	SCM	M8X60	
20	011649302	Washer ϕ 8	4	ALUMINIUM A1100 PH14	ϕ 8	
21	011845001	32A Plug Set	1			
22	011559002	Knob	4			
23	011567601	O-Ring	1	NBR		
24	743119083	Bolt M12X45	4	SWRM	M12X45	
25	743119063	Bolt M10X30	4	SWRM	M10X30	
26	743119046	Bolt M8X22	4	SWRM	M8X22	
27	743119061	Bolt M10X25	6	SWRM	M10X25	
28	743119051	Bolt M8X35	2	SWRM	M8X35	
29	854255008	Seal Washer	2		ϕ 8	
30	734505066	Socket Bolt M8X25	2	SUS	M8X25	

◆ Bare engine can not be supplied

KTH-50X



DWG No.012855806 MODEL: KTH-50X FORM: KTH-50X-BAA

No.	PARTS CODE	PARTS NAME	QTY	MATERIAL	SIZE	REMARKS
31	842319008	Spring Nut M8	4	SWRM	M8	
32	838719008	Nut M8	2		M8	
33	011578802	Name Plate	1			
34	011430302	Engine(With Oil Alert)	1	HONDA GX160U1WKT2	CE · USA	
35	011577802	Tool	1	SPC		
36	741305153	Wing Bolt	1	SUS	M8X15	

◆ Bare engine can not be supplied