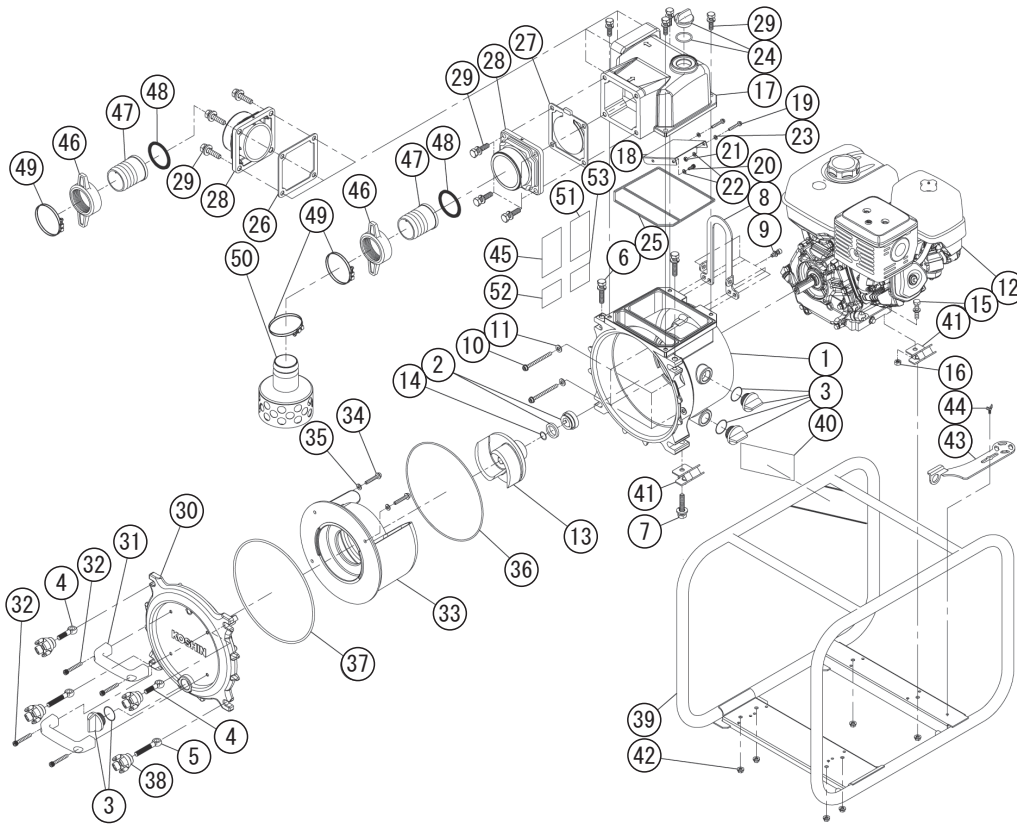


DWG No.066863906 MODEL : KTH-80S FORM : KTH-80S-BAB-0(GX270)

No.	PARTS CODE	PARTS NAME	QTY	MATERIAL/SIZE	REMARKS
1	0121439	PUMP CASE	1	ADC	
2	0115678	KTH-80X MECHANICAL SEAL	1	HJ-25(B)BSIC	
3	0118079	25A PLUG SET	3		
4	0121843	COVER BOLT S	2	S35C	
5	0121844	COVER BOLT L	2	S35C	
6	743119083	BOLT	2	SWRM M12×45	
7	743119084	BOLT	2	M 1 2 × 5 0 SWRM	
8	0121454	HOOK PLATE	1	SPC	
9	734614090	BOLT	6	M10×25 SWRCH 8.8T	
10	0121925	BOLT	4	M10*P1.25*50 SCM	
11	0121915	WASHER	4	A1100 PH14	
12	0121911	ENGINE	1	HONDA (GX270UT2-WKT)	
13	0121438	IMPELLER	1	HICR	
14	0110081	ADJUSTING WASHER	3	T0.3	
15	743119067	BOLT	2	M10×40 SWRM	
16	827419010	NUT	2	M10 SWRM	
17	0121437	SEPARATE HEAD	1		
18	0121457	BAFFLE	1	SUS304	
19	734705047	BOLT	2	M6×16 SUS	
20	734505276	BOLT	2	M6×8 SUS	
21	827405006	NUT	2	M6 1種中 SUS	
22	846205006	WASHER	4	Φ 6 sus	
23	854255006	WASHER	2	φ 6	
24	0118450	32A PLUG SET	1		
25	0121450	HEAD PACKING	1	NBR	
26	0110584	FLANGE PACKING	1	CR	
27	0121574	CHECK VALVE	1	NBR+SPHC	
28	0115838	DELIVERY FLANGE	2	ADC	
29	743119063	BOLT	12	M10×30 SWRM	
30	0121440	FRONT COVER	1	ADC	



DWG No.066863906 MODEL : KTH-80S FORM : KTH-80S-BAB-0(GX270)

No.	PARTS CODE	PARTS NAME	QTY	MATERIAL/SIZE	REMARKS
31	0121453	HANDLE	2	PA6%+GF30%	
32	734520070	BOLT	4	M8×35	
33	0121441	VOLUTE CASE	1	FCD450	
34	734705066	BOLT	3	SUS M8×25	
35	0116493	WASHER	3	A1100 PH14	
36	0121917	O-RING	1	NBR G283×3.55	
37	0121916	O-RING	1	NBR G295×5.3	
38	0121449	KNOB	4	FC200	
39	0128438	BASE ASSY	1		
40	0121435	KTH-S SIDE PANEL LABEL	1		
41	0116172	CUSHION RUBBER	4	CR 60°	
42	842319008	SPRING NUT	4	SWRM	
43	0121918	TOOL	1		
44	741305153	WING BOLT	1	M8×15 SUS	
45	0121445	NAME PLATE	1		
46	0110300	SE-80 COUPLING	2	ADC	
47	0111931	SE-80L HOSE NIPPLE	2	ADC	
48	0110100	80 COUPLING PACKING	2	NBR	
49	940407090	HOSE BAND	3	3"	
50	0110978	STRAINER	1	SPC	
51	0114713	CAUTION LABEL	1		
52	0114718	CE MARK LABEL	1		
53	0116283	EU NOISE LABEL(105)	1	PET+PET	