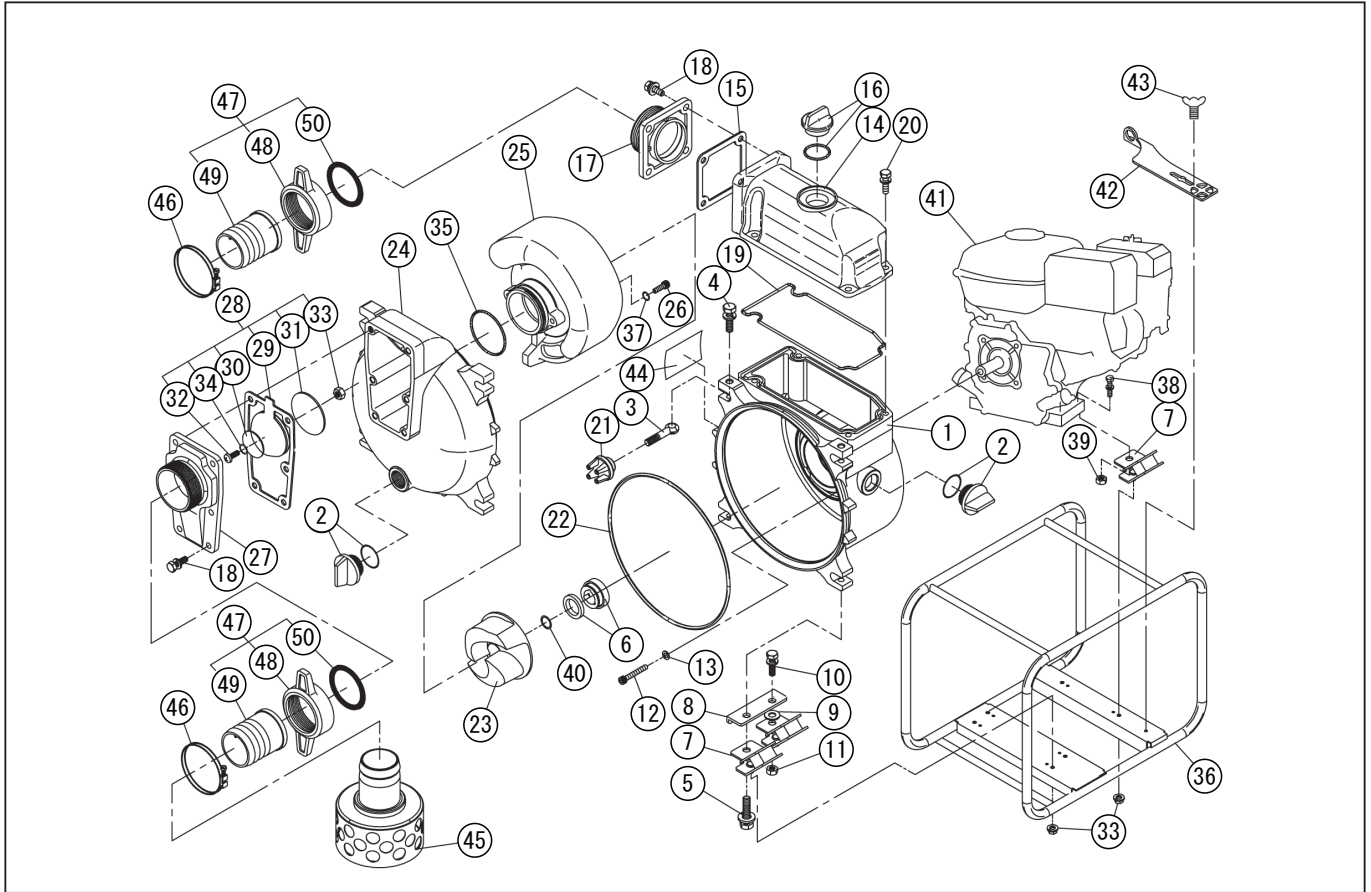


DWG No.012918702 MODEL : KTR-100EX FORM : KTR-100EX-BAA-0(EX40)

No.	PARTS CODE	PARTS NAME	QTY	MATERIAL/SIZE	REMARKS
1	0121890	PUMP BODY	1	ADC	
2	0118079	25A PLUG SET	2		
3	0115580	COVER BOLT	4	S35C	
4	743119083	HEXAGON BOLT	2	SWRM M12*45	
5	743119084	HEXAGON BOLT	2	M12X50 SWRM	
6	0115678	MECHANICAL SEAL	1	HJ-25(B)BSIC	
7	0116172	CUSHIN RUBBER	6	CR 60°	
8	0116273	RUBBER MOUNT	2	SPC T4.5	
9	846211012	WASHER	2	12	
10	743119076	HEXAGON BOLT	2	M12X25 SWRM	
11	827419012	HXAGON NUT	2	M12 SWRM	
12	0116492	HEXAGON BOLT	4	M8×50 SCM	
13	0116493	WASHER(AL.)	4	φ8 A1100 PH14	
14	0116148	DELIVERY HOUSING	1	ADC	
15	0110750	DELIVERY FLANGE PACKING	1	CR	
16	0118450	32A PLUG SET	1		
17	0116188	SUCTION FLANGE	1	PS	
18	743119080	HEXAGON BOLT	10	M12X35 SWRM	
19	0115548	HEAD PACKING	1	NBR70°	
20	0110751	CHECK VALVE PACKING	1	CR	
20	743119063	HEXAGON BOLT	4	M10X30 SWRM	
21	0115590	KNOB	4		
22	0115579	FRONT COVER PACKING	1	NBR	
23	0115626	IMPELLER	1	HRFC	
24	0116490	FRONT COVER	1	ADC	
25	0116488	VOLUTE CASING	1	FCD450	
26	0121539	HEXAGON BOLT	3	M8×35 A2-80	
27	0116268	SUCTION FLANGE(G)	1	ADC	
28	0118261	CHECK VALVE ASSY	1		
30	0111216	OUTER WEIGHT	1	SPC	



DWG No.012918702 MODEL : KTR-100EX FORM : KTR-100EX-BAA-0(EX40)

No.	PARTS CODE	PARTS NAME	QTY	MATERIAL/SIZE	REMARKS
31	0110474	INNER WEIGHT	1	SPC	
32	703319129	+SCREW	1	M8X20 SWRM	
33	842319008	SPRING NUT	7	M8 SWRM	
34	854255008	SEAL WASHER	1	φ8	
35	0116270	O-RING	1	NBR φ 104.5× φ 3.5	
36	0128452	BASE SET	1		
37	0121540	WASHER	3	8.1*17*T2 MFZN II -H.C	
38	743119067	HEXAGON BOLT	2	M10X40 SWRM	
39	827419010	HXAGON NUT	2	M10 SWRM	
40	0110561	IMPELLER ADJUSTING WASHER	1	0.3MM BSP	
41	0121892	ENGINE(WITH OIL ALERT)	1	ROBIN EX400D51020	
42	0116204	TOOL	1	SPC	
43	741305153	WING BOLT	1	M8X15 SUS	
44	0121891	NAME PLATE	1		
45	0110979	STRAINER	1	SPC	
46	940407120	HOSE BAND	3	#72(48-127)	
47	0117639	COUPLING SET	2		
48	0110471	HOSE NIPPLE	2	ADC	
49	0116189	COUPLING	2	ADC	
50	0111478	COUPLING PACKING	2	NBR	
	0121889	PACKING CASE	1		