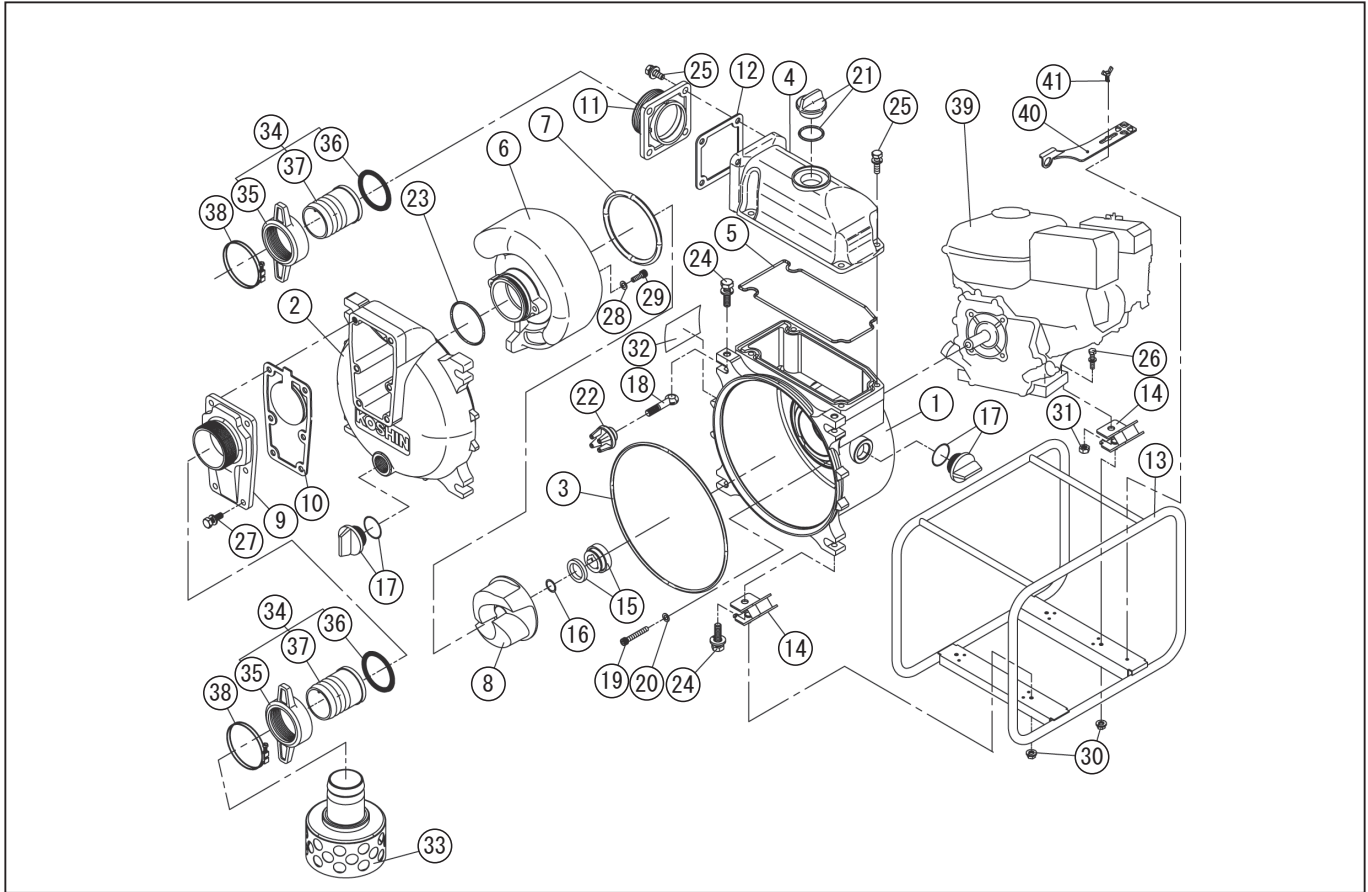


DWG No.012880316 MODEL : KTR-80EX FORM : KTR-80EX-BAE-3(EX27)

No.	PARTS CODE	PARTS NAME	QTY	MATERIAL/SIZE	REMARKS
1	0115546	PUMP CASING	1	ADC	
2	0121900	FRONT COVER KTH-80X	1	ADC	
3	0115579	FRONT COVER PACKING	1	NBR	
4	0115547	DELIVERY HOUSING	1	ADC	
5	0115548	HEAD PACKING	1	NBR70°	
6	0121908	VOLUTE CASING	1	FCD450	
7	0115578	CASING PACKING	1	NBR	
8	0115558	IMPELLER	1	HRFC	
9	0111573	SUCTION FLANGE	1	ADC	
10	0115692	CHECK VALVE PACKING	1	NBR NEO-180	
11	0115838	DELIVERY FLANGE	1	ADC	
12	0110584	FLANGE PACKING	1	CR	
13	0117817	BASE SET	1		
14	0116172	CUSHION RUBBER	4	CR 60°	
15	0115678	KTH-80X MECHANICAL SEAL	1	HJ-25(B)BSIC	
16	0110081	ADJUSTING WASHER	3	T0.3	
17	0118079	25A PLUG SET	2		
18	0115580	COVER BOLT	4	S35C	
19	0116516	SOCKET BOLT	4	M8×55 SCM	
20	0116493	WASHER	4	A1100 PH14	
21	0118450	32A PLUG SET	1		
22	0115590	KNOB	4		
23	0115676	O-RING	1	NBR	
24	743119083	BOLT	4	SWRM M12×45	
25	743119063	BOLT	8	M10×30 SWRM	
26	743119067	BOLT	2	M10×40 SWRM	
27	743119061	BOLT	6	M10×25 SWRM	
28	0121540	WASHER	3	8.1×17×T2 MFZN II -H.C	
29	0121539	SOCKET BOLT	3	M8×35 A2-80	
30	842319008	SPRING NUT	4	SWRM	



DWG No.012880316 MODEL : KTR-80EX FORM : KTR-80EX-BAE-3(EX27)

No.	PARTS CODE	PARTS NAME	QTY	MATERIAL/SIZE	REMARKS
31	827419010	NUT	2	M10 SWRM	
32	0116767	NAME PLATE	1		
33	0110978	STRAINER	1	SPC	
34	0117028	COUPLING SET	2		
35	0114375	COUPLING	2	ABS	
36	0110301	NIPPLE	2	ABS	
37	0114378	COUPLING PACKING	2	NBR.HS65±5	
38	940407090	HOSE BAND	3	3"	
39	0120764	EX270D10194 ENGINE	1		
40	0115767	TOOL	1	SPC	
41	741305153	WING BOLT	1	M8×15 SUS	
	0114718	CE MARK LABEL	1		
	0114713	CAUTION LABEL	1		
	0116433	EU NOISE LABEL(104)	1		

◆ Bare engine can not be supplied