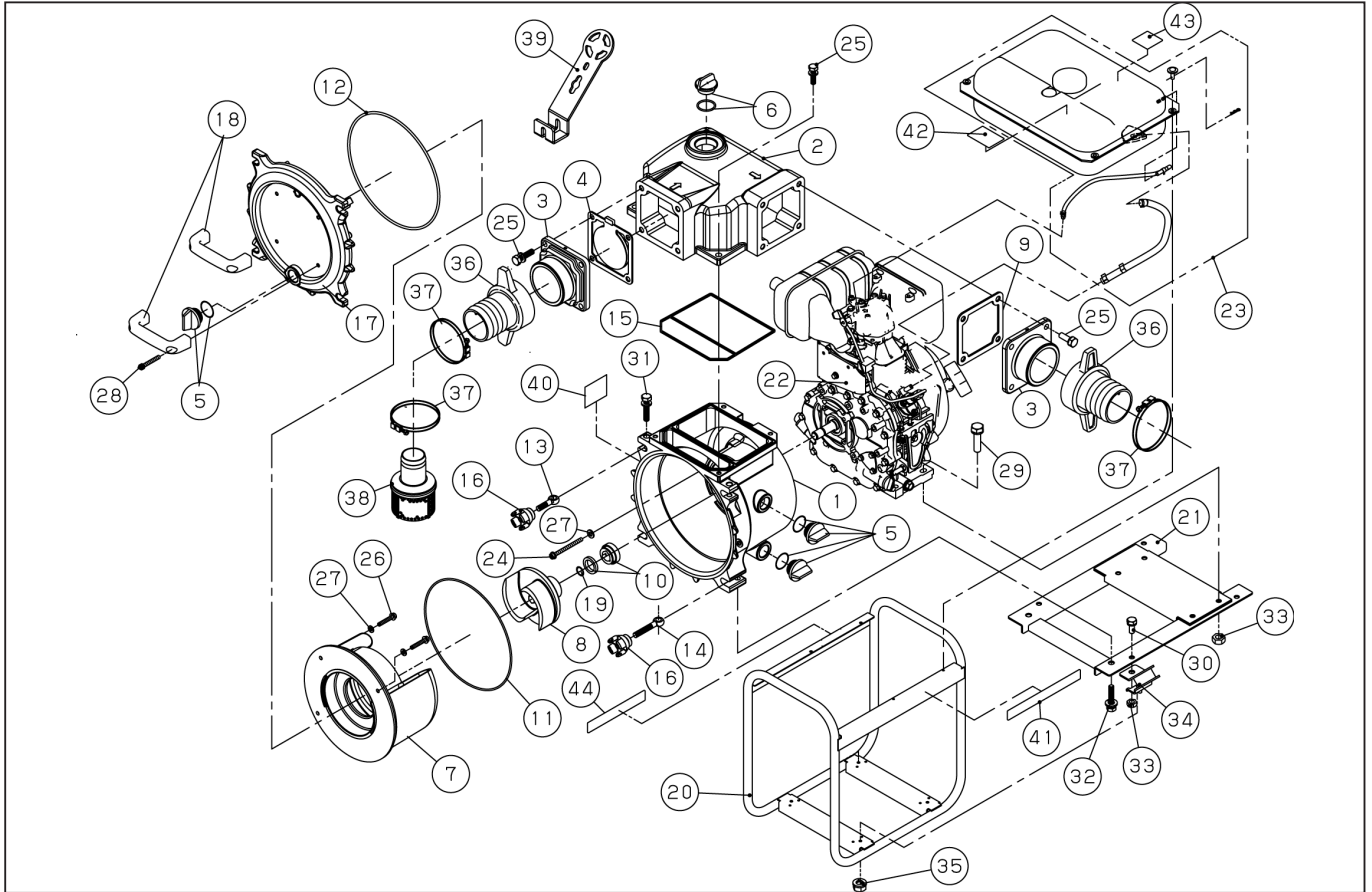


DWG No.012944303 MODELE : KTY-80D FORM : KTY-80D-BAA-1

No.	PARTS CODE	PARTS NAME	QTY	MATERIAL/SIZE	REMARKS
1	0123174	PUMP CASING	1	ADC	
2	0123176	SEPARATE HEAD	1	ADC	
3	0115838	DELIVERY FLANGE	2	ADC	
4	0123218	CHECK VALVE	1	NBR+SPHC	
5	0118079	25A PLUG SET	3		
6	0118450	32A PLUG SET	1		
7	0121441	VOLUTE CASE	1	FCD450	
8	0123175	IMPELLER	1	HRFC	
9	0110584	FLANGE PACKING	1	CR	
10	0115159	MECHANICAL SEAL	1		
11	0121917	O-RING	1	NBR G283×3.55	
12	0121916	O-RING	1	NBR G295×5.3	
13	0121843	COVER BOLT S	2	S35C	
14	0121844	COVER BOLT L	2	S35C	
15	0121450	HEAD PACKING	1	NBR	
16	0121449	KNOB	4	FC200	
17	0123352	FRONT COVER	1	ADC	
18	0121453	HANDLE	2	PA6+GF30%	
19	0123253	ADJUSTING WASHER	3	BSP1 T=0.3	
20	0127300	BASE SET	1		
21	0127301	DAMPING BASE SET	1		
22	-	L70N6-PKS DESEL ENGINE	1		
23	0127289	LARGE FUEL TANK SET (L48N6-PKS)	1		
24	0116517	FLANGE SOCKET BOLT	4	M8×60 SCM	
25	743119063	BOLT	12	M10×30 SWRM	
26	734705066	BOLT	3	SUS M8×25	
27	0116493	WASHER	7	A 1100 PH14	
28	734520070	BOLT	4	M8×35	
29	743119068	BOLT	4	M 10×45 SWRM	
30	743119061	BOLT	4	M10×25 SWRM	

◆ Bare engine can not be supplied



DWG No.012944303 MODELE : KTY-80D FORM : KTY-80D-BAA-1

No.	PARTS CODE	PARTS NAME	QTY	MATERIAL/SIZE	REMARKS
31	743119083	BOLT	2	M12×45 SWRM	
32	743119084	BOLT	2	M12×50 SWRM	
33	827419010	NUT	8	M10 SWRM	
34	0116172	CUSHION RUBBER	4	CR 60°	
35	842319008	SPRING NUT	4	SWRM	
36	0117378	COUPLING SET	2	ADC	
37	940407090	HOSE BAND	3	Φ90	
38	0110978	STRAINER G3 <sup>+</sup>	1	SPC	
39	0122984	SPECIAL TOOL	1	SS400 T4.5	
40	0123263	NAME PLATE	1		
41	0123238	SEY-D SIDE PANEL LABEL	1		
42	0123259	DIESEL CAUTION LABEL1 (ENG)	1		
43	0123260	DIESEL CAUTION LABEL2 (ENG)	1		
44	0123261	DIESEL CAUTION LABEL3 (ENG)	1		

◆ Bare engine can not be supplied