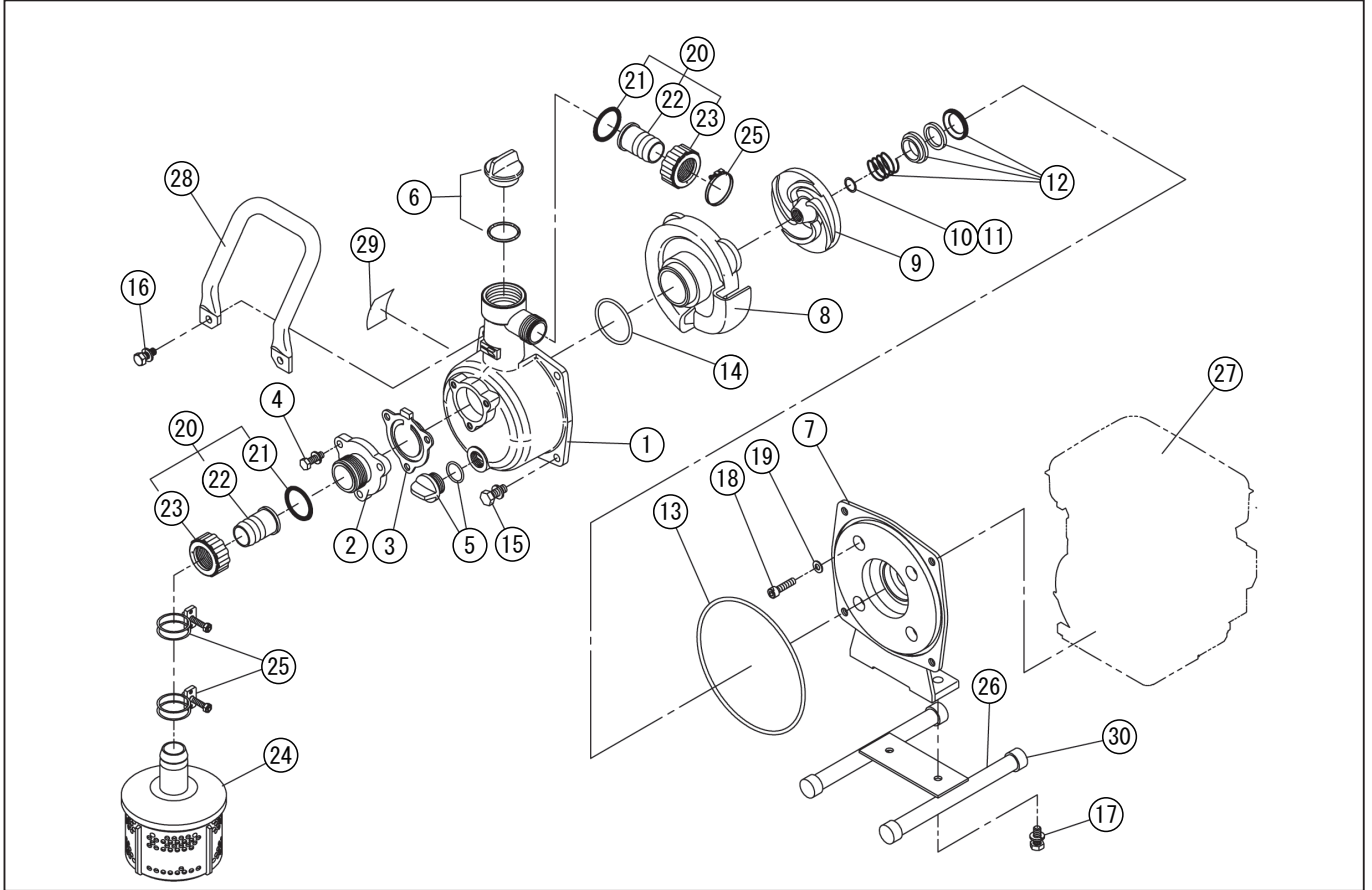


DWG No.011945011 MODEL : SE-25L FORM : SE-25L-BAA-1

No.	PARTS CODE	PARTS NAME	QTY	MATERIAL/SIZE	REMARKS
1	0113329	PUMP CASING	1	ADC	
2	0113325	SUCTION FLANGE	1	ADC	
3	0113326	CHECK VALVE	1	NBR	
4	743119032	HEXAGON BOLT	3	M6X20 SWRM	
5	0148010	15A PLUG SET	1		
6	0118450	32A PLUG SET	1		
7	0114992	FLANGE BRACKET	1	ADC	
8	0112528	VOLUTE CASING	1	ADC	
9	0114993	IMPELLER	1	ADC	
10	0140251	IMPELLER ADJUSTING WASHER	2	BS T=0.3	
11	0113944	IMPELLER ADJUSTING WASHER	1	BS	
12	0116054	MECHANICAL SEAL	1	HG-12	
13	890255031	O-RING	1	1517-31 NBR	
14	889855042	O-RING	1	P42 NBR	
15	743119045	HEXAGON BOLT	2	M8X20 SWRM	
16	743119046	HEXAGON BOLT	2	M8X22 SWRM	
17	743119043	HEXAGON BOLT	2	M8X16 SWRM	
18	734532274	HEXAGON SOCKET BOLT	4	M5X40 CS	
19	854255005	SEAL WASHER	4	φ 5	
20	0348124	COUPLING SET	2	25MM	
21	0340065	COUPLING PACKING	2	CR	
22	0340782	HOSE NIPPLE	2	ABS	
23	0340981	COUPLING	2	ABS	
24	0118193	STRAINER	1		
25	940019032	HOSE BAND	3	φ 32	
26	0118267	BASE SET	1		
27	0120194	ENGINE	1	ROBIN EC025GR5108	
28	0114277	HANDLE	1		
29	0113795	NAME PLATE	1		
30	0112576	PIPE RUBBER	4	NBR 70°	

◆ Bare engine can not be supplied



DWG No.011945011 MODEL : SE-25L FORM : SE-25L-BAA-1

No.	PARTS CODE	PARTS NAME	QTY	MATERIAL/SIZE	REMARKS
	0113848	PACKING CASE	1		

◆ Bare engine can not be supplied