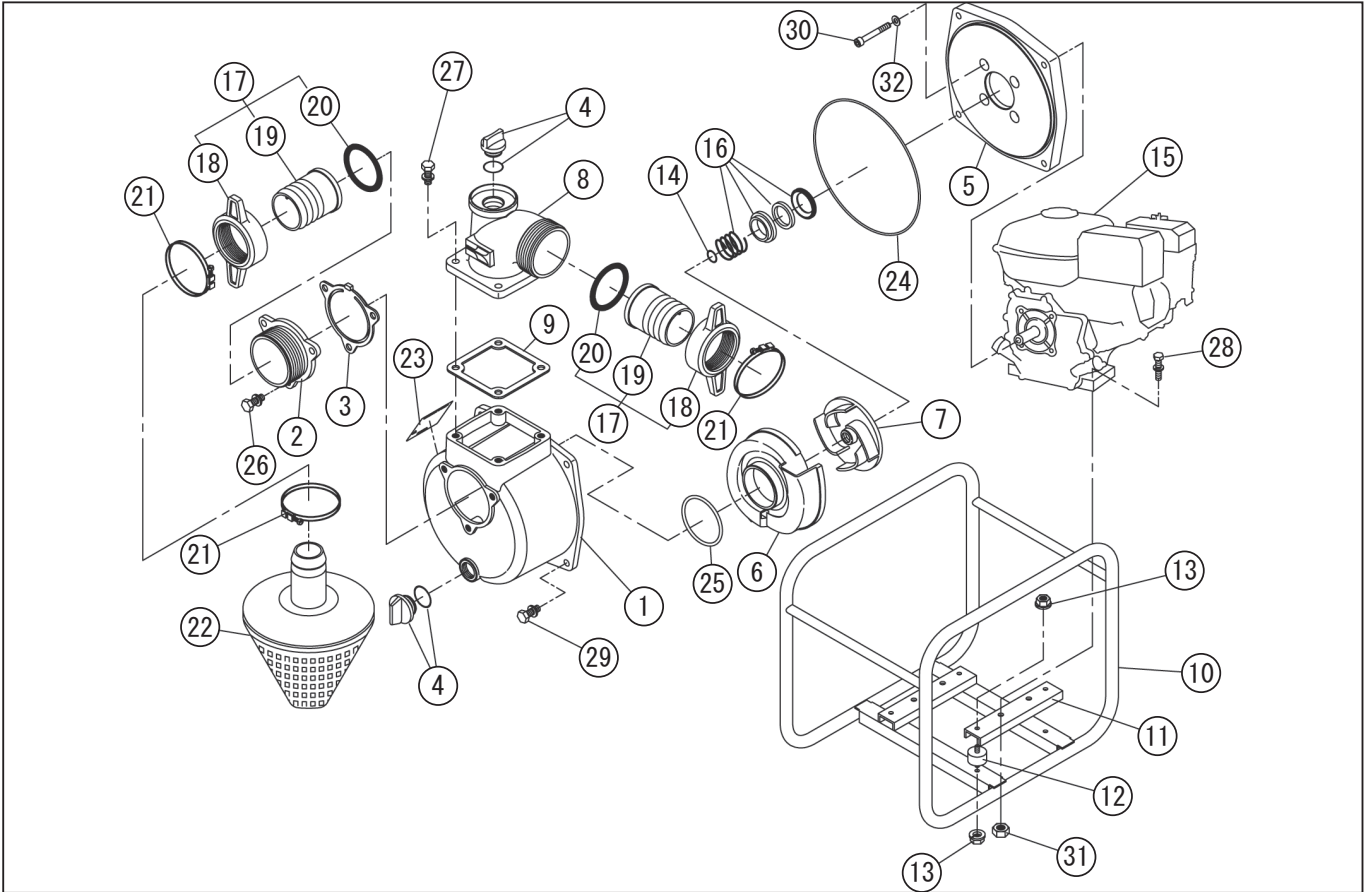


DWG No.012934001 MODEL : SE-50XD FORM : SE-50X-BEC-0 (DY23-2)

No.	PARTS CODE	PARTS NAME	QTY	MATERIAL/SIZE	REMARKS
1	0120195	PUMP CASE	1	ADC "MADE IN JAPAN"	
2	0112662	SE-50X SUCTION FLANGE	1	ADC	
3	0112665	CHECK VALVE	1	NBR	
4	0118078	20A PLUG SET	2		
5	0112579	FLANGE BRACKET	1	ADC	
6	0113175	SE-50X VOLUTE CASING	1	FC-20	
7	0111780	SE-50X IMPELLER	1	FC-20	
8	0110556	DELIVERY FLANGE	1	ADC	
9	0110541	FLANGE PACKING	1	CR 70°	
10	0118366	BASE SET	1		
11	0113365	SE-80X-BAP ENGINE BASE	2	SPC	
12	0112858	KTR-80 CUSHION RUBBER	4	ME-35 40°	
13	842319008	SPRING NUT	8	SWRM	
14	0110466	ADJUSTING WASHER	3	BSP T=0.3	
15	0113394	ROBIN DY232DD1120 ENGINE	1		
16	0110688	SE-50L MECHANICAL SEAL	1	CARBON CERAMIC ϕ 18	
17	0127122	COUPLING SET	2		
18	0122496	COUPLING	2	ABS	
19	0122497	NIPPLE	2	ABS	
20	0113391	COUPLING PACKING	2	NBR	
21	940019060	HOSE BAND	3	ϕ 60	
22	0127123	STRAINER SET	1	PP	
23	0122642	NAME PLATE	1		
24	0115014	O-RING 1517-42.5	1	1517-42.5 NBR	
25	0112792	O-RING P54 (SAME AS 889855055)	1	P54 NBR	
26	743119045	BOLT	3	M8X20 SWRM	
27	743119047	BOLT	4	M8X25 SWRM	
28	743119069	BOLT	4	M10X50 SWRM	
29	743119046	BOLT	4	M8X22 SWRM	
30	734532076	SOCKET BOLT	4	M8 \times 60 SCM CS	

◆ Bare engine can not be supplied



DWG No.012934001 MODEL : SE-50XD FORM : SE-50X-BEC-0 (DY23-2)

No.	PARTS CODE	PARTS NAME	QTY	MATERIAL/SIZE	REMARKS
31	827419010	NUT	4	M10 SWRM	
32	854255008	SEAL WASHER	4	φ 8	

◆ Bare engine can not be supplied