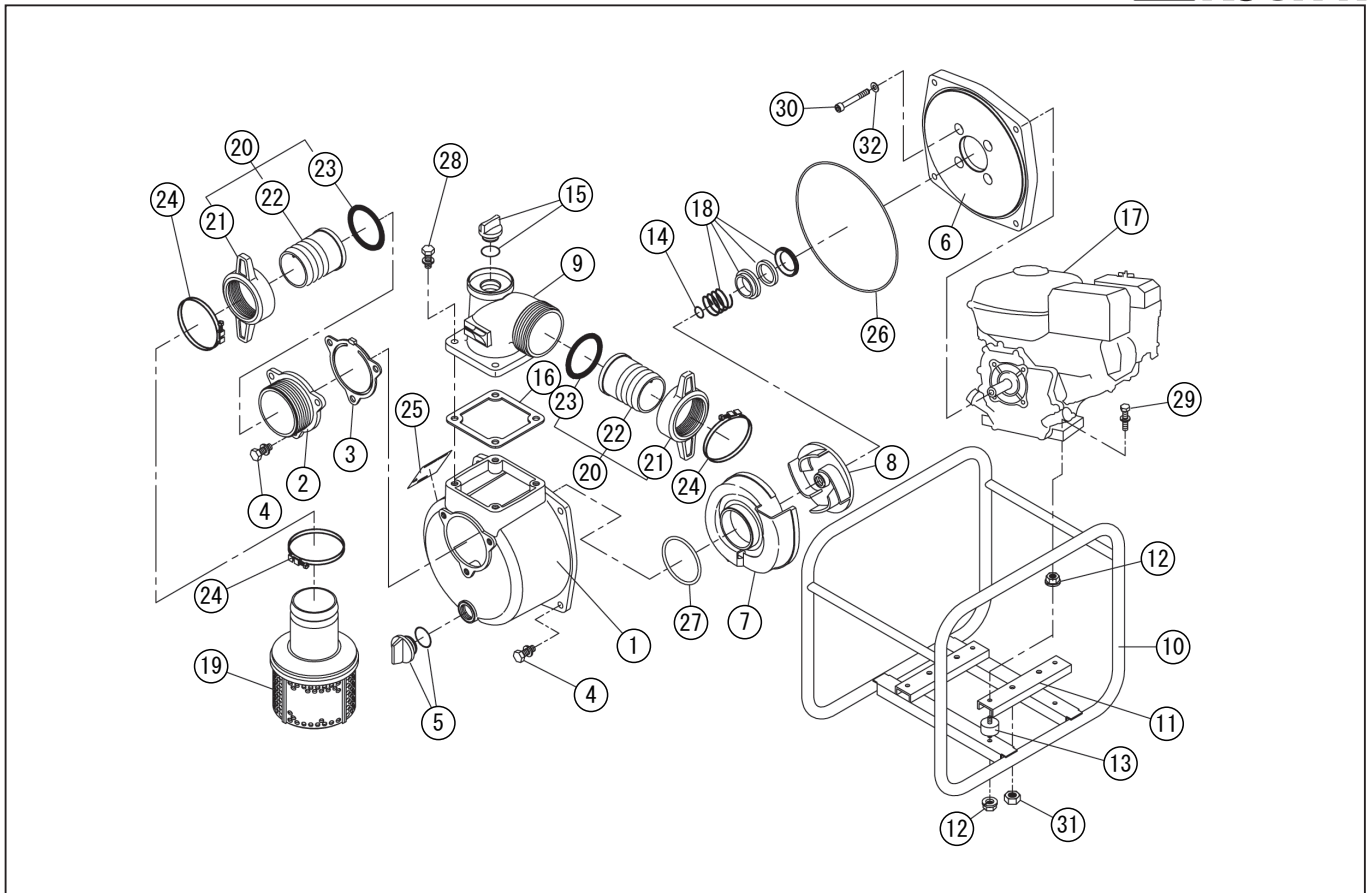


DWG No.011937608 MODEL : SE-80XD FORM : SE-80X-BAP-0 (DY-23)

No.	PARTS CODE	PARTS NAME	QTY	MATERIAL/SIZE	REMARKS
1	0120196	PUMP CASING	1	ADC	
2	0112797	SUCTION FLANGE	1	ADC	
3	0112799	CHECK VALVE	1	NBR	
4	743119061	HEXAGON BOLT	7	M10X25 SWRM	
5	0118078	20A PLUG SET	1		
6	0112796	FLANGE BRACKET	1	ADC	
7	0113176	VOLUTE CASING	1	FC	
8	0110532	IMPELLER	1	FC-20	
9	0110570	DELIVERY FLANGE	1	ADC PS	
10	0118366	BASE SET	1		ORANGE
11	0113365	ENGINE BASE	2	SPC T4.5X46X20X20X235	
12	842319008	SPRING NUT	8	M8 SWRM	
13	0112858	CUSHION RUBBER	4	ME-35 40°	
14	0110491	IMPELLER ADJUSTING WASHER	3	BSP	
15	0118079	25A PLUG SET	1		
16	0110584	DELIVERY FLANGE PACKING	1	CR	
17	0113395	ENGINE	1	ROBIN DY232DD1110	
18	0110664	MECHANICAL SEAL	1	φ 20	
19	0118195	STRAINER SET	1	PP	
20	0117028	COUPLING SET	2		
21	0114375	COUPLING	2	ABS	
22	0110301	HOSE NIPPLE	2	ABS	
23	0114378	COUPLING PACKING	2	NBR	
24	940019090	HOSE BAND	3	φ 90	
25	0113397	NAME PLATE	1		
26	0115015	O-RING	1	1517-46.5 NBR	
27	0113989	O-RING	1	P74 NBR	
28	743119063	HEXAGON BOLT	4	M10X30 SWRM	
29	743119069	HEXAGON BOLT	4	M10X50 SWRM	
30	734532076	HEXAGON SOCKET BOLT	4	M8X60 SCM CS	

◆ Bare engine can not be supplied



DWG No.011937608 MODEL : SE-80XD FORM : SE-80X-BAP-0 (DY-23)

No.	PARTS CODE	PARTS NAME	QTY	MATERIAL/SIZE	REMARKS
31	827419010	HEXAGON NUT	4	M10 SWRM	
32	854255008	SEAL WASHER	4	$\phi 8$	
	0113398	PACKING CASE	1		