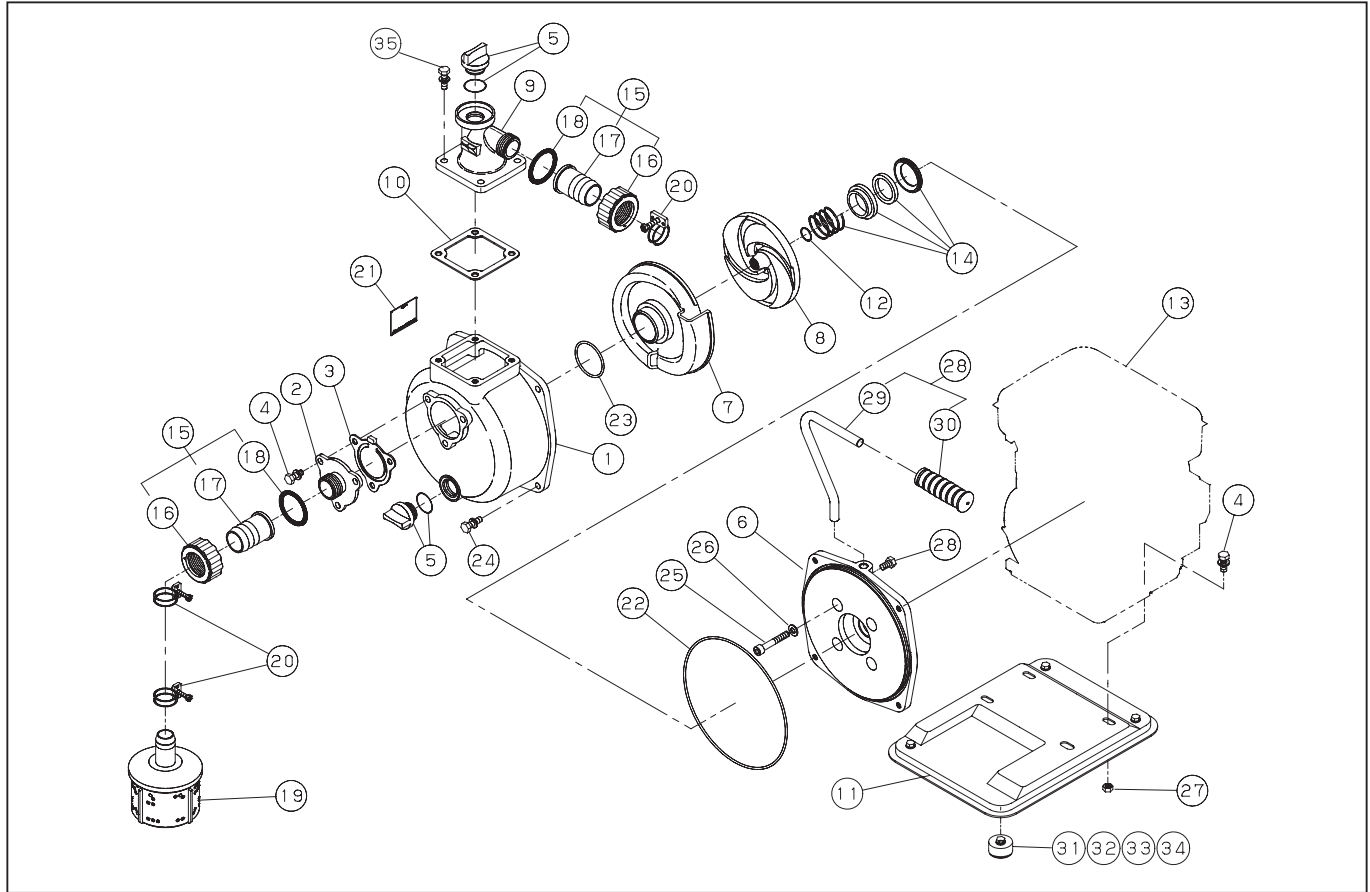


**SEH-40H**

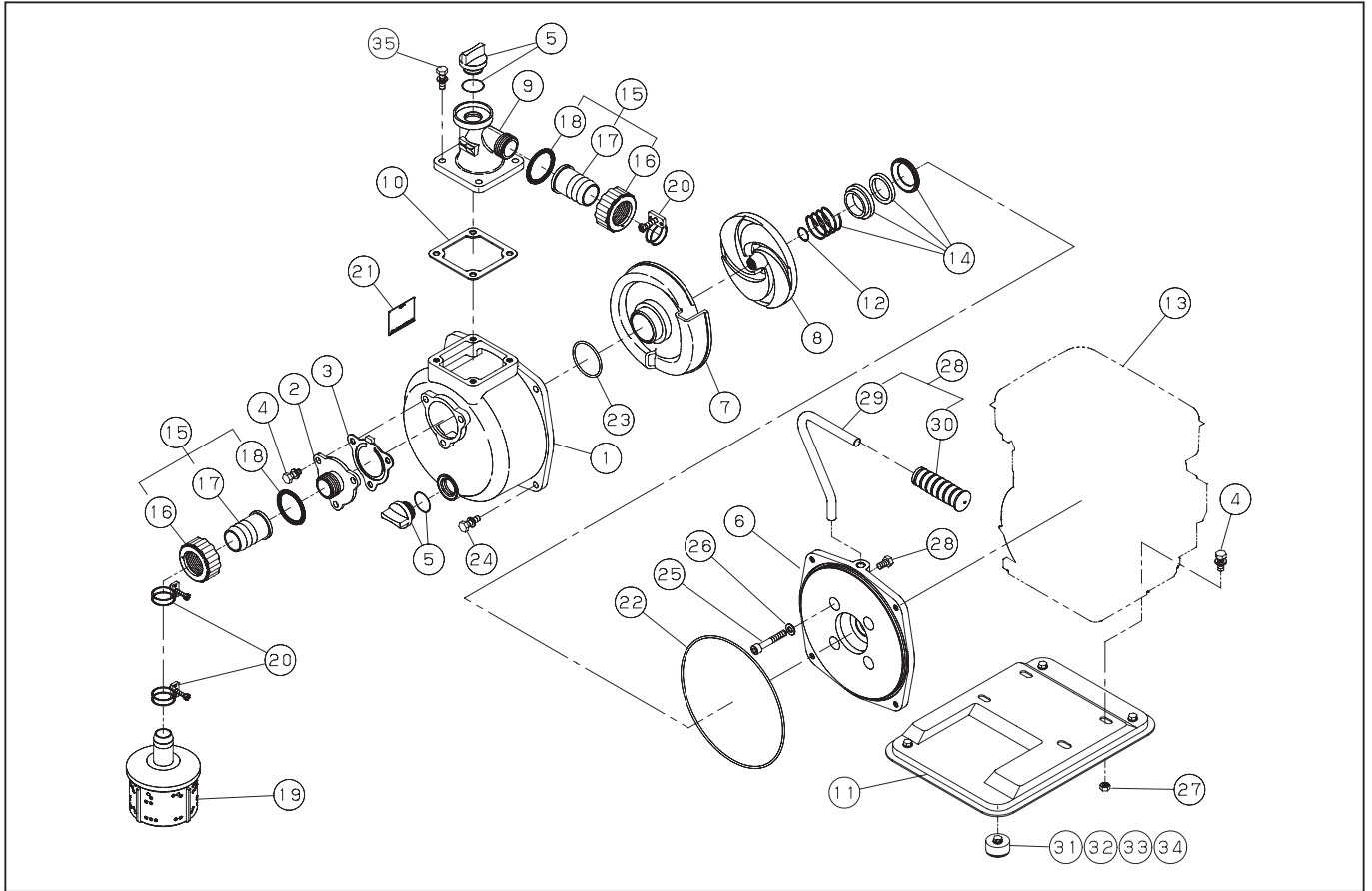


DWG No. 012904301 MODEL: SEH-40H (GXH50) FROM:SEH-40H-BAA

No.	PARTS CODE	PARTS NAME	QTY	MATERIAL	SIZE	REMARKS
1	011333001	Pump Casing	1	ADC+SHOT		
2	011332701	Suction Flange	1	ADC		
3	011332801	Check Valve	1	NBR		
4	743119045	Bolt M8X20	3	SWRM	M8X20	
5	011807802	20A Plug Set	2			
6	011692602	Flange Bracket	1	ADC		
7	011699402	Volute Casing	1			
8	011693701	Impeller	1	FC20		
9	011057701	Delivery Flange	1	ADC		
10	011059301	Flange Packing	1	CR		
11	011787301	Base Set	1	SPC		
12	012008001	Impeller Adjusting Washer	1	BSP		
13	012006501	Engine	1	GXH50 WK4 CE		
14	011068503	Mechanical Seal $\phi$ 16	1		$\phi$ 16	
15	011721201	Coupling Set	2	PS SCREW PC+ABS		
16	011498601	Coupling	2	PC	40MM	
17	011035803	Hose Nipple	2	ABS		
18	011498701	Coupling Packing	2	NBR	40MM	
19	011819401	Strainer Set	1			
20	940019048	Hose Band $\phi$ 48	3		$\phi$ 48	
21	012095901	Name Plate	1			
22	011501401	O-Ring 1517-42.5	1	NBR	1517-42.5	
23	889855048	O-Ring P48	1	NBR	P48	
24	743119046	Bolt M8X22	4	SWRM	M8X22	
25	734532055	Bolt M6X35	4	SCM	M6X35	
26	854255006	Seal Washer $\phi$ 6	4		$\phi$ 6	
27	743119030	Bolt M6X16	4	SWRM	M6X16	
28	011787402	Handle Assy	1			
28	735719145	Bolt M8X14	1		M8X14	
29	012006302	Handle	1			

◆ Bare engine can not be supplied

# SEH-40H



DWG No. 012904301 MODEL: SEH-40H (GXH50) FROM:SEH-40H-BAA

No.	PARTS CODE	PARTS NAME	QTY	MATERIAL	SIZE	REMARKS
30	011011003	Handle Rubber	1	F-23		
31	011041702	25 Cushion Rubber	4	F-23		
32	743119030	Bolt M6X16	4	SWRM	M6X16	
33	827419006	Nut M6	4	SWRM	M6	
34	846207106	Flat Washer 1/4 φ	4	19 T 1.2	1/4 φ	
35	743119047	Bolt M8X25	4	SWRM	M8X25	
	012096001	Packing Case	1			
	011730801	Accessory Set	1			
	021001101	Polyethylene Bag	1	TO.03	320X480	
	011476909	SEH CE Operation Manual (5Langs)	1			
	012096101	Specification Sheet	1			
	011476001	Engine Caution Label C	1			
	011476201	Engine Caution Label E	1			
	011476301	Engine Caution Label F	1			

◆ Bare engine can not be supplied