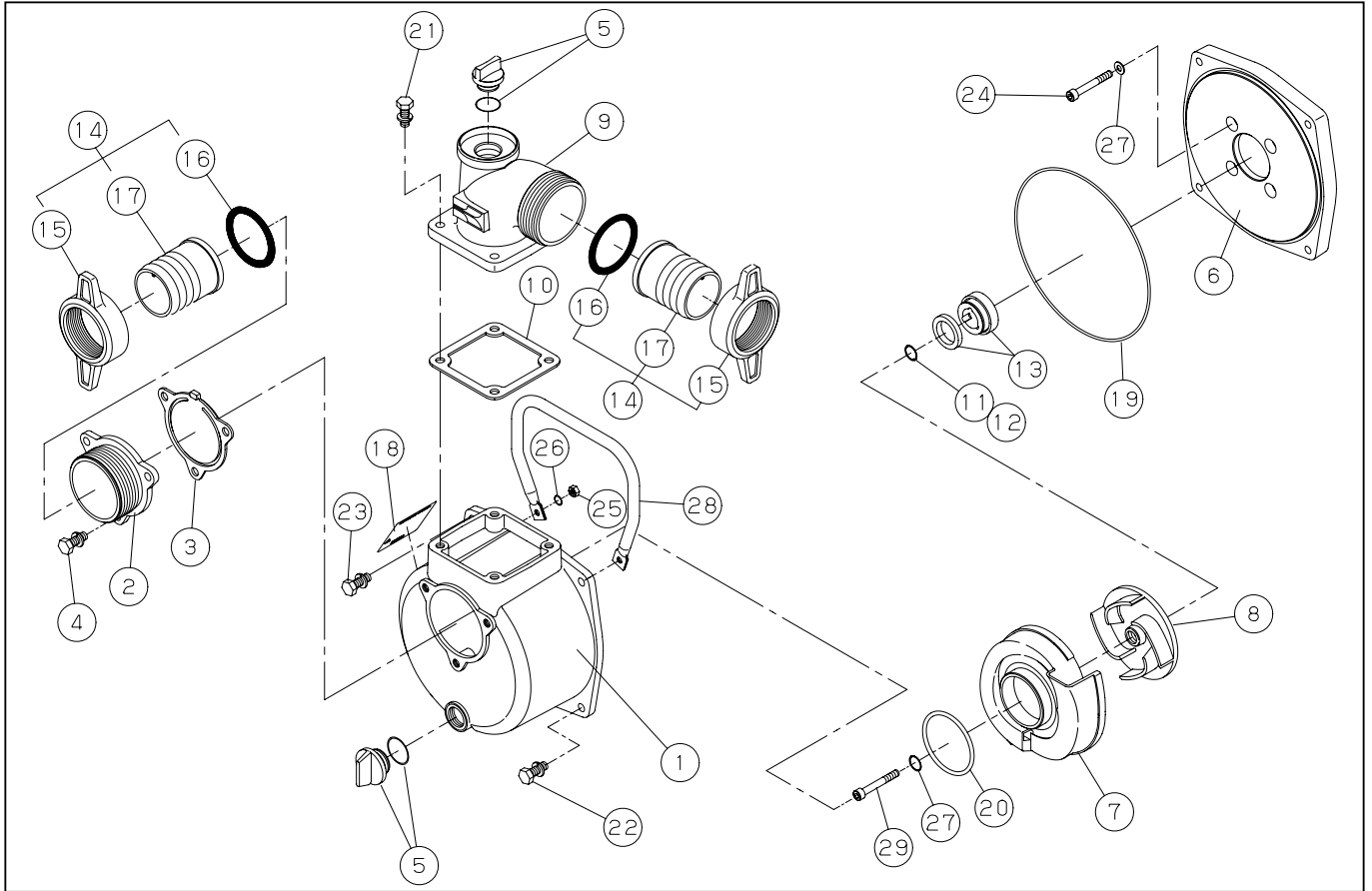


SEH-50XP

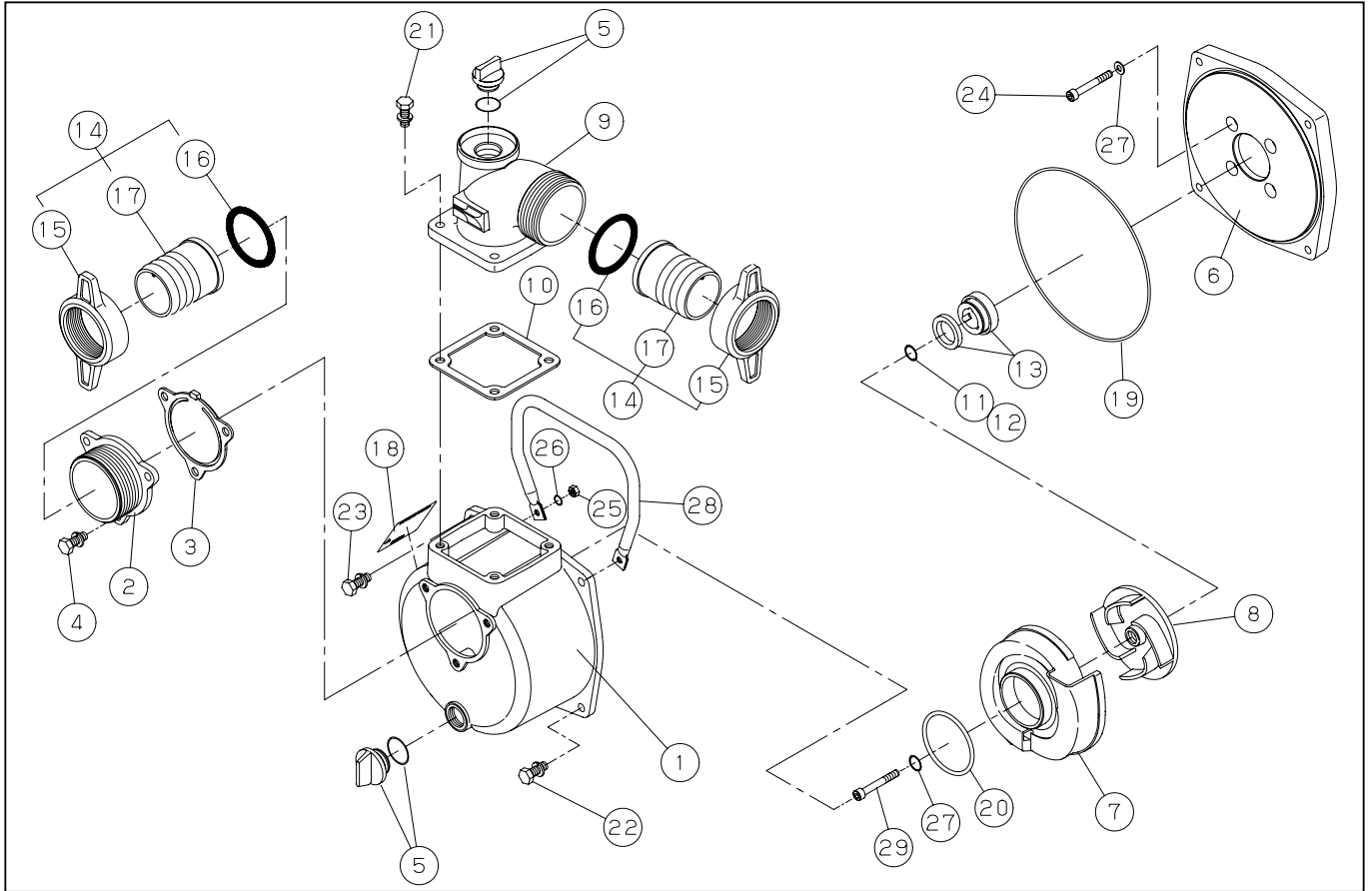


DWG NO.011948009 MODEL:SEH-50XP FORM:SEH-50X-BAN-1

No.	PARTS CODE	PARTS NAME	QTY	MATERIAL	SIZE	REMARKS
1	011257801	PUMP CASING	1			
2	011266203	SUCTION FLANGE	1	ADC		
3	011266501	CHECK VALVE	1	NBR		
4	743119045	HEXAGON BOLT	3	SWRM	M8X20	
5	011807802	20A PLUG SET	2			
6	011402701	FLANGE BRACKET	1	ADC		
7	011464001	VOLUTE CASING	1	FC		
8	011404101	IMPELLER	1	FC		
9	011055604	DELIVERY FLANGE	1			
10	011054102	DELIVERY FLANGE PACKING	1	CR		
11	011409201	IMPELLER ADJUSTING WASHER A	1	BSP		
12	011409301	IMPELLER ADJUSTING WASHER B	1	BSP		
13	011409001	MECHANICAL SEAL	1	EH790-020		
14	011702603	COUPLING SET	2			
15	011339002	COUPLING	2	PC		
16	011339101	COUPLING PACKING	2	NBR		
17	011035605	HOSE NIPPLE	2	ABS		
18	011408702	NAME PLATE	1			
19	011501401	O-RING	1	NBR	1517-42.5	
20	011279201	O-RING	1	NBR	P54	
21	743119047	HEXAGON BOLT	4	SWRM	M8X25	
22	743119046	HEXAGON BOLT	2	SWRM	M8X22	
23	743119051	HEXAGON BOLT	2	SWRM	M8X35	
24	011210401	HEXAGON SOCKET BOLT	4	5/16-24UNF X60		
25	827419008	HEXAGON NUT	2	SWRM	M8	
26	843822008	SPRING WASHER	2		φ 8	
27	854255008	SEAL WASHER	5		φ 8	
28	011311801	HANDLE	1			
29	011408501	HEXAGON SOCKET BOLT	1	SCM 5/16-24UNF X3/4		
	011408804	PACKING CASE	1			

◆ Bare engine can not be supplied

SEH-50XP



DWG NO.011948009 MODEL:SEH-50XP FORM:SEH-50X-BAN-1

No.	PARTS CODE	PARTS NAME	QTY	MATERIAL	SIZE	REMARKS
	011408902	OPERATION MANUAL	1			

◆ Bare engine can not be supplied