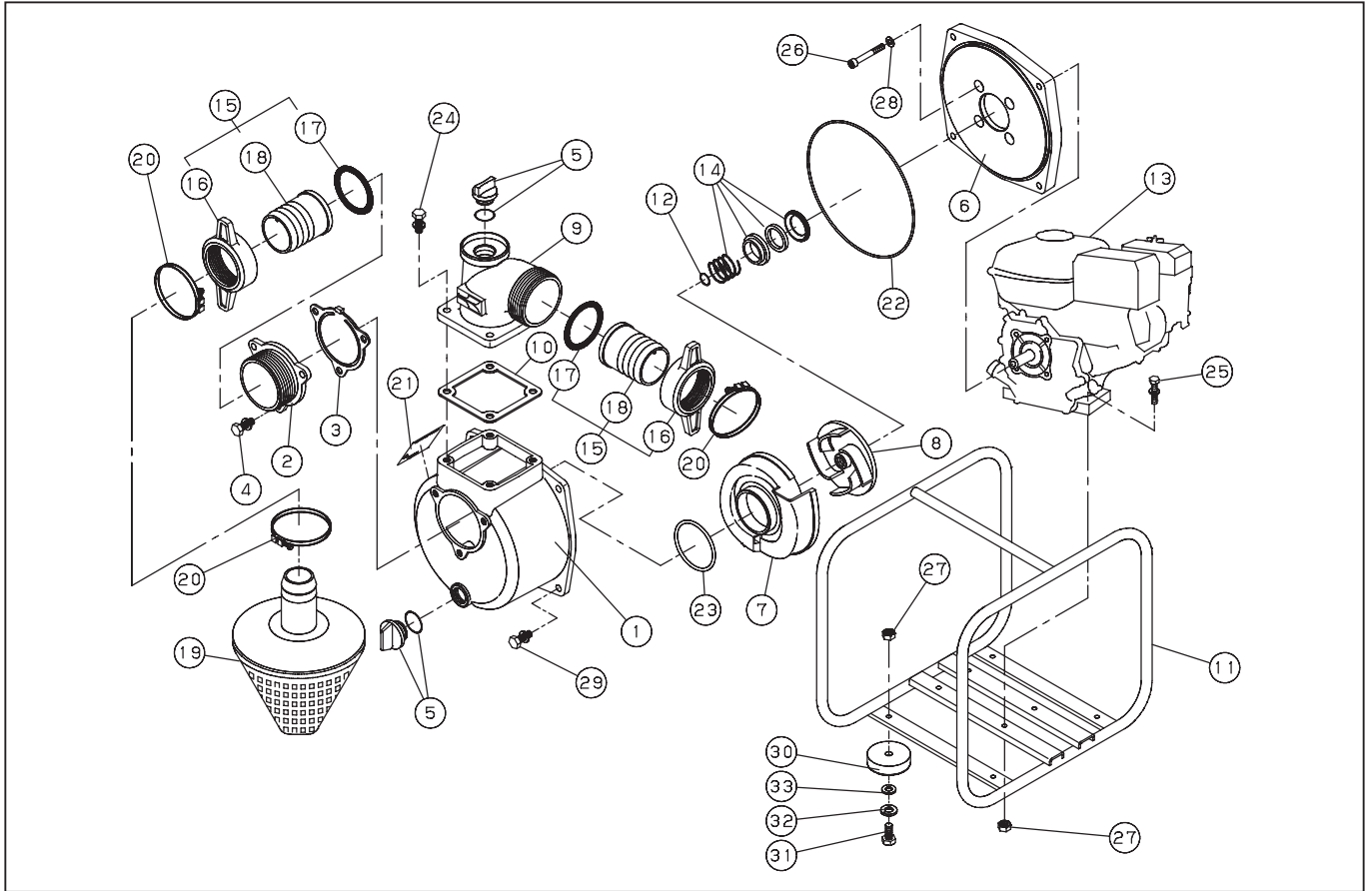


EMP205

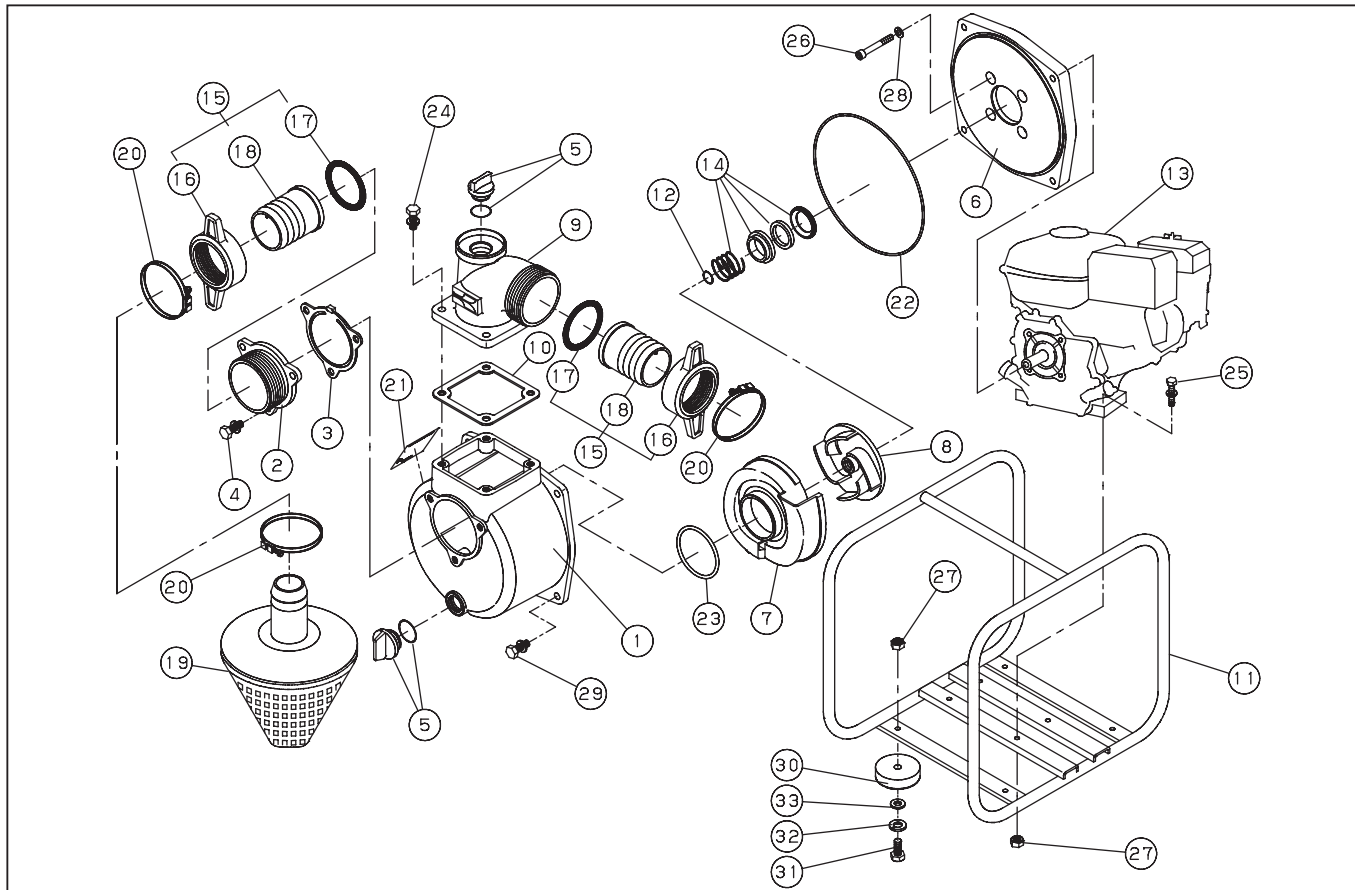


DWG 012897701 MODEL:SEH-50X FORM:SEH-50X-BFJ-0 (EMP205)

| No. | PARTS CODE | PARTS NAME | QTY | MATERIAL | SIZE | REMARKS |
|-----|------------|------------------|-----|-------------------|-----------|---------|
| 1 | 012019501 | Pump Casing | 1 | ADC | | |
| 2 | 011266203 | Suction Flange | 1 | ADC | | |
| 3 | 011266501 | Check Valve | 1 | NBR | | |
| 4 | 743119045 | Bolt | 3 | SWRM | M8X20 | |
| 5 | 011807802 | 20A Plug Set | 2 | | | |
| 6 | 011257905 | Flange Bracket | 1 | ADC | | |
| 7 | 011464001 | Volute Casing | 1 | FC | | |
| 8 | 011353203 | Impeller | 1 | FC | | |
| 9 | 011055605 | Delivery Flange | 1 | ADC | | |
| 10 | 011054102 | Flange Packing | 1 | CR | | |
| 11 | 011725801 | Base Set | 1 | | | |
| 12 | 011046601 | Adjusting Washer | 3 | BSP | | |
| 13 | 011434502 | Engine | 1 | HONDA GX120U1WKT2 | | |
| 14 | 011068803 | Mechanical Seal | 1 | CARBON CERAMIC | φ 18 | |
| 15 | 011702603 | Coupling Set | 2 | ABS | | |
| 16 | 011339002 | Coupling | 2 | ABS | | |
| 17 | 011339101 | Coupling packing | 2 | NBR | | |
| 18 | 011035605 | Hose nipple | 2 | ABS | | |
| 19 | 011815901 | Strainer set | 1 | PP | | |
| 20 | 940019060 | Hose band | 3 | | φ 60 | |
| 21 | 012074301 | Name Plate | 1 | | | |
| 22 | 011501401 | O-Ring | 1 | NBR | 1517-42.5 | |
| 23 | 011279201 | O-Ring | 1 | NBR | P54 | |
| 24 | 743119047 | Bolt | 4 | SWRM | M8X25 | |
| 25 | 743119051 | Bolt | 4 | SWRM | M8X35 | |
| 26 | 734532076 | Socket Bolt | 4 | SCM | M8X60 | |
| 27 | 827419008 | Nut | 8 | SWRM | M8 | |
| 28 | 854255008 | Seal Washer | 4 | | φ 8 | |
| 29 | 743119046 | Bolt | 4 | SWRM | M8X22 | |
| 30 | 011051502 | Cushion Rubber | 4 | F-23 | | |

◆ Bare engine can not be supplied

EMP205



DWG 012897701 MODEL:SEH-50X FORM:SEH-50X-BFJ-0 (EMP205)

| No. | PARTS CODE | PARTS NAME | QTY | MATERIAL | SIZE | REMARKS |
|-----|------------|------------------|-----|----------|-------|---------|
| 31 | 735719148 | Bolt | 4 | | M8X20 | |
| 32 | 843822008 | Spring Washer | 4 | | φ 8 | |
| 33 | 846007008 | Washer | 4 | | φ 8 | |
| | 012074201 | Packing Case | 1 | | | |
| | 011476909 | Operation Manual | 1 | | | |

◆ Bare engine can not be supplied