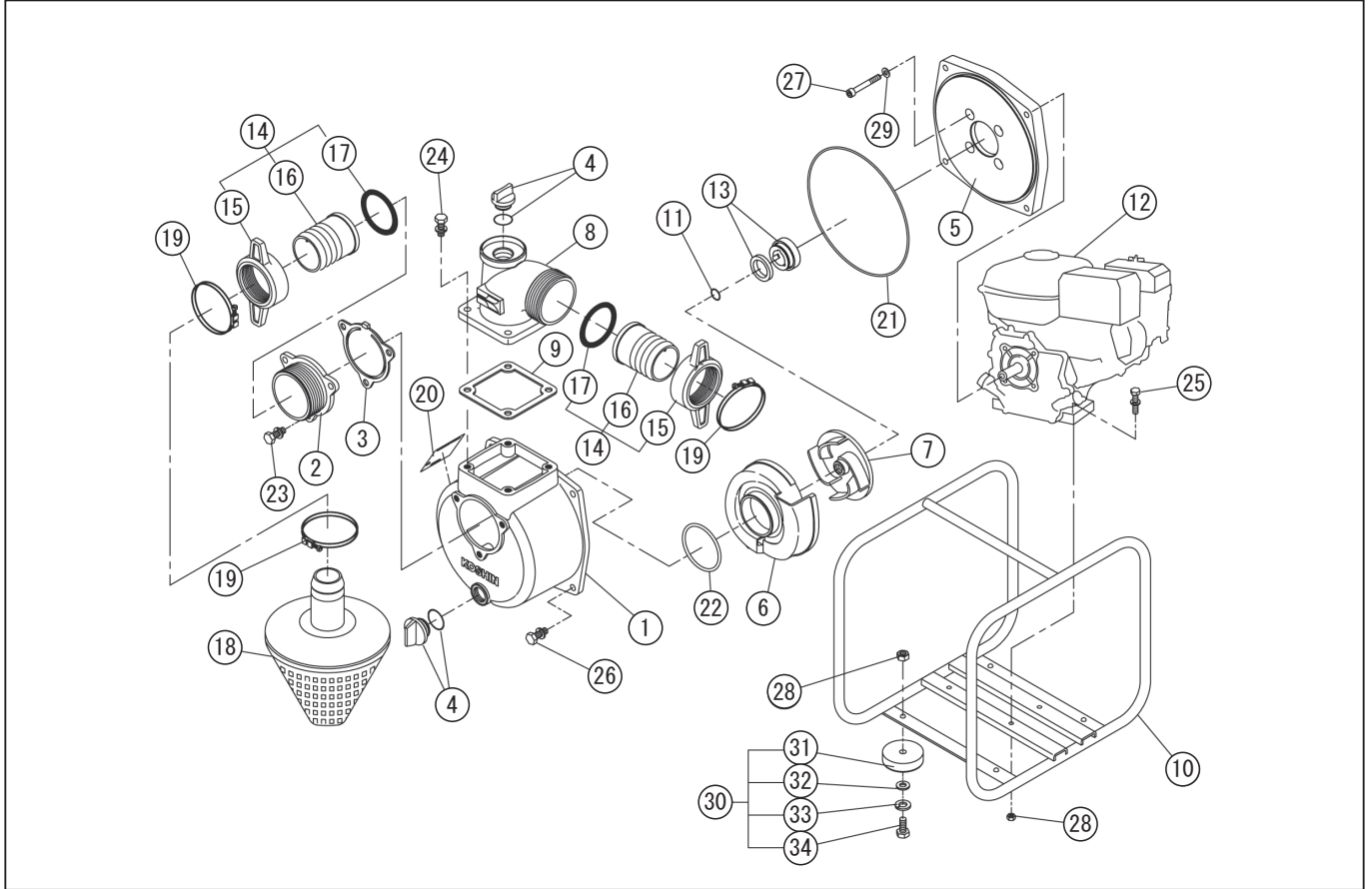


DWG No.066863701 MODEL : SEH-50X FORM : SEH-50X-BFV-0

No.	PARTS CODE	PARTS NAME	QTY	MATERIAL/SIZE	REMARKS
1	0121335	PUMP CASE	1	ADC	
2	0112662	SUCTION FLANGE	1	ADC	
3	0112665	CHECK VALVE	1	NBR	
4	0118078	20A PLUG SET	2		
5	0115268	FLANGE BRACKET	1	ADC	
6	0114640	VOLUTE CASING	1	FC-20	
7	0116616	IMPELLER	1	FC-20	
8	0110556	DELIVERY FLANGE	1	ADC	
9	0110541	FLANGE PACKING	1	CR 70°	
10	0128454	BASE SET	1		
11	0115510	IMPELLER ADJUSTING WASHER	3	BSP T0.3	
12	0116802	GX12OUT2-WKS ENGINE	1		
13	0120062	SEH-50XP MECHANICAL SEAL	1	HJ-20(B)	
14	0117026	COUPLING SET	2		
15	0113390	COUPLING	2	ABS	
16	0110356	HOSE NIPPLE	2	ABS	
17	0113391	COUPLING PACKING	2	NBR	
18	0118159	SE-50X STRAINER SET	1	PP	
19	940019060	HOSE BAND	3	φ 60	
20	0121898	NAME PLATE	1		
21	0115014	O-RING 1517-42.5	1	1517-42.5 NBR	
22	0112792	O-RING P54 (SAME AS 889855055)	1	P54 NBR	
23	743119045	BOLT	3	M8×20 SWRM	
24	743119047	BOLT	4	M8×25 SWRM	
25	743119051	BOLT	4	M8×35 SWRM	
26	743119046	BOLT	4	M8×22 SWRM	
27	734532066	HEXAGON SOCKET BOLT	4	M8×25 SCM	
28	827419008	NUT	8	M8	
29	854255008	SEAL WASHER	4	φ8	
30	0117345	50L CUSHION RUBBER SET	1		

◆ Bare engine can not be supplied



DWG No.066863701 MODEL : SEH-50X FORM : SEH-50X-BFV-0

No.	PARTS CODE	PARTS NAME	QTY	MATERIAL/SIZE	REMARKS
31	0110515	CUSHION RUBBER	4	F-23	
32	846007008	WASHER	4	φ 8	
33	843822008	SPRING WASHER	4	φ 8	
34	735719148	HEXAGON BOLT	4	M8×20	
	0116953	OPERATION MANUAL	1		
	0114718	CE MARK LABEL	1		
	0114713	CAUTION LABEL	1		
	0116282	EU NOISE LABEL(103)	1		
	0114820	SEH DECLARATION	1		

◆ Bare engine can not be supplied