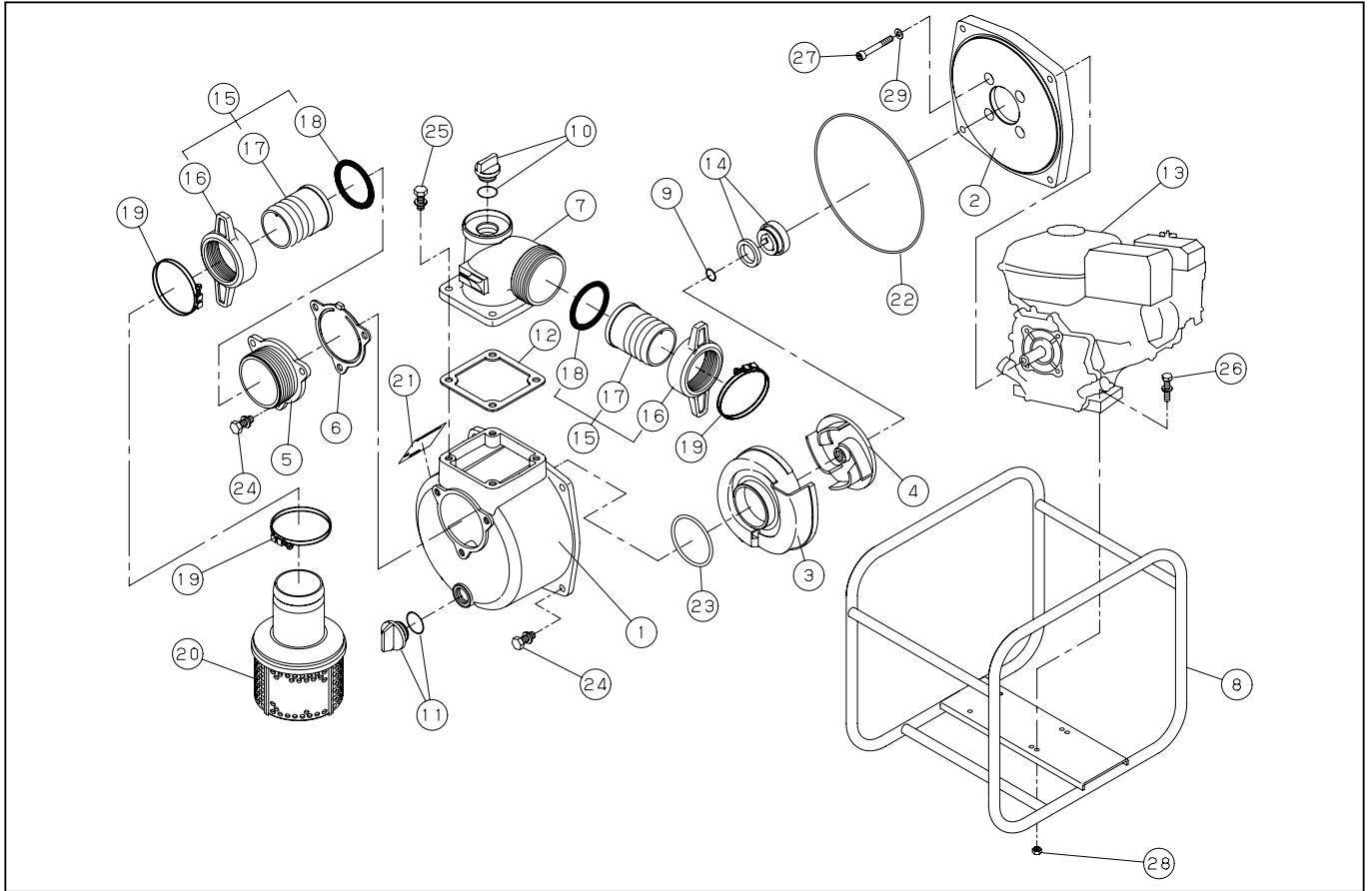


SEH-80XK

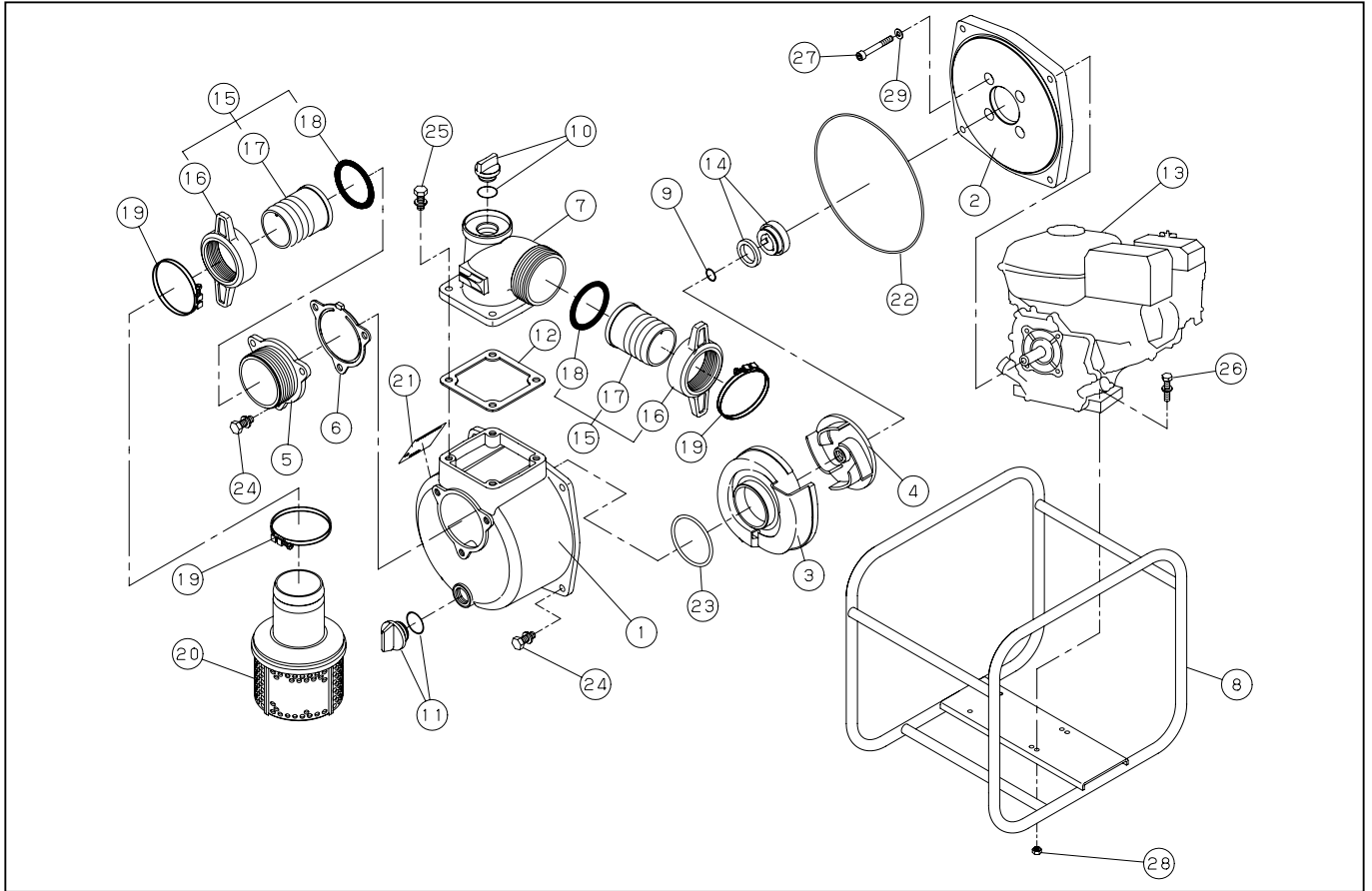


DWG No.066851404 MODEL:SEH-80XK (GK200) FORM:SEH-80X-BBY-1

No.	PARTS CODE	PARTS NAME	QTY	MATERIAL	SIZE	REMARKS
1	012019601	PUMP CASING	1	ADC		
2	011526902	FLANGE BRACKET	1	ADC		
3	011317603	VOLUTE CASING	1	FC		
4	011527101	IMPELLER	1	FC		
5	011279701	SUCTION FLANGE	1	ADC		
6	011279901	CHECK VALVE	1	NBR		
7	011057004	DELIVERY FLANGE	1	ADC		
8	011739302	BASE SET	1			
9	011049102	IMPELLER ADJUSTING WASHER	3	BSP		
10	011807901	25A PLUG SET	1			
11	011807802	20A PLUG SET	1			
12	011058402	DELIVERY FLANGE PACKING	1	CR		
13	011672601	ENGINE	1	HONDA GK 200		
14	011409001	MECHANICAL SEAL	1	EH790-020		
15	011702802	COUPLING SET	2	ABS		
16	011437502	COUPLING	2	ABS		
17	011030105	HOSE NIPPLE	2	ABS		
18	011437801	COUPLING PACKING	2	NBR		
19	940019090	HOSE BAND	3		φ 90	
20	011819501	STRAINER SET	1	PP		
21	011543702	NAME PLATE	1			
22	011501501	O-RING	1	NBR	1517-46.5	
23	011398901	O-RING	1	NBR	P74	
24	743119061	HEXAGON BOLT	7	SWRM	M10X25	
25	743119063	HEXAGON BOLT	4	SWRM	M10X30	
26	743119053	HEXAGON BOLT	4	SWRM	M8X40	
27	734532066	HEXAGON SOCKET BOLT	4	SCM	M8X25	
28	827419008	HEXAGON NUT	4	SWRM	M8	
29	854255008	SEAL WASHER	4		φ 8	
	011543602	PACKING CASE	1			

◆ Bare engine can not be supplied

SEH-80XK



DWG No.066851404 MODEL:SEH-80XK (GK200) FORM:SEH-80X-BBY-1

No.	PARTS CODE	PARTS NAME	QTY	MATERIAL	SIZE	REMARKS
	011460505	OPERATION MANUAL	1			
	011532202	OPERATION MAMUAL	1			

◆ Bare engine can not be supplied