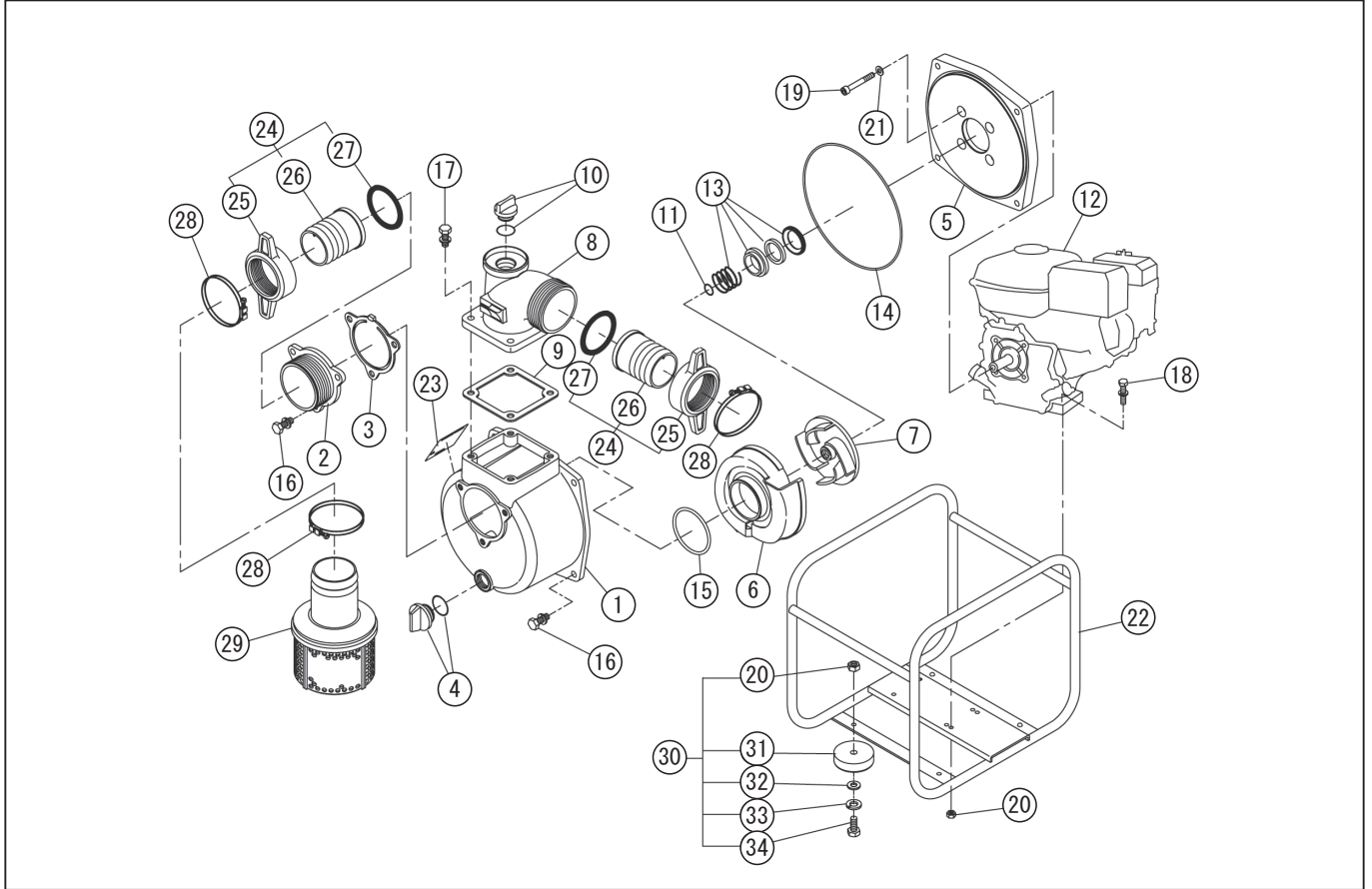


DWG No.066863204 MODEL : SEH-80X FORM : SEH-80X-BFD-0(GX160UT2)

No.	PARTS CODE	PARTS NAME	QTY	MATERIAL/SIZE	REMARKS
1	0121336	PUMP CASE	1	ADC	
2	0112797	SUCTION FRANGE	1	ADC	
3	0112799	CHECK VALVE	1	NBR	
4	0118078	20A PLUG SET	1		
5	0115269	FLANGE BRACKET	1	ADC	
6	0114379	VOLUTE CASING	1	FC	
7	0116617	SEH-80XT IMPELLER	1	FC	
8	0110570	SE-80L DELIVERY FLANGE	1	ADC KOSHIN	
9	0110584	FLANGE PACKING	1	CR	
10	0118079	25A PLUG SET	1		
11	0115510	ADJUSTING WASHER	3	BSP T0.3	
12	0116807	HONDA GX160UT2-WKS ENGINE	1		
13	0120062	SEH-50XP MECHANICAL SEAL	1	HJ-20(B)	
14	0115015	O-RING 1517-46.5	1	1517-46.5 NBR	
15	0113989	O-RING P74	1	P74 NBR	
16	743119061	BOLT	7	M10×25 SWRM	
17	743119063	BOLT	4	M10×30 SWRM	
18	743119053	BOLT	4	M8×40 SWRM	
19	734532066	SOCKET BOLT	4	M8×25 SCM	
20	827419008	NUT	8	M8 SWRM	
21	854255008	SEAL WASHER	4	φ8	
22	0128430	BASE SET	1		
23	0121750	NAME PLATE	1		
24	0127125	COUPLING SET	2		
25	0114375	COUPLING	2	ABS	
26	0110301	NIPPLE	2	ABS	
27	0114378	COUPLING PACKING	2	NBR.HS65±5	
28	940019090	HOSE BAND	3	φ90	
29	0118195	STRAINER SET	1	PP	
30	0117345	50L CUSHION RUBBER SET	1		

◆ Bare engine can not be supplied



DWG No.066863204 MODEL : SEH-80X FORM : SEH-80X-BFD-0(GX160UT2)

No.	PARTS CODE	PARTS NAME	QTY	MATERIAL/SIZE	REMARKS
31	0110515	CUSHION RUBBER	4	F-23	
32	846007008	WASHER	4	φ 8	
33	843822008	SPRING WASHER	4	φ 8	
34	735719148	BOLT	4	M8×20	
	0116283	EU NOISE LABEL(105)	1	PET+PET	
	0114713	CAUTION LABEL	1		
	0114820	SEH DECLARATION	1		
	0115652	CE MARK LABEL	1		

◆ Bare engine can not be supplied