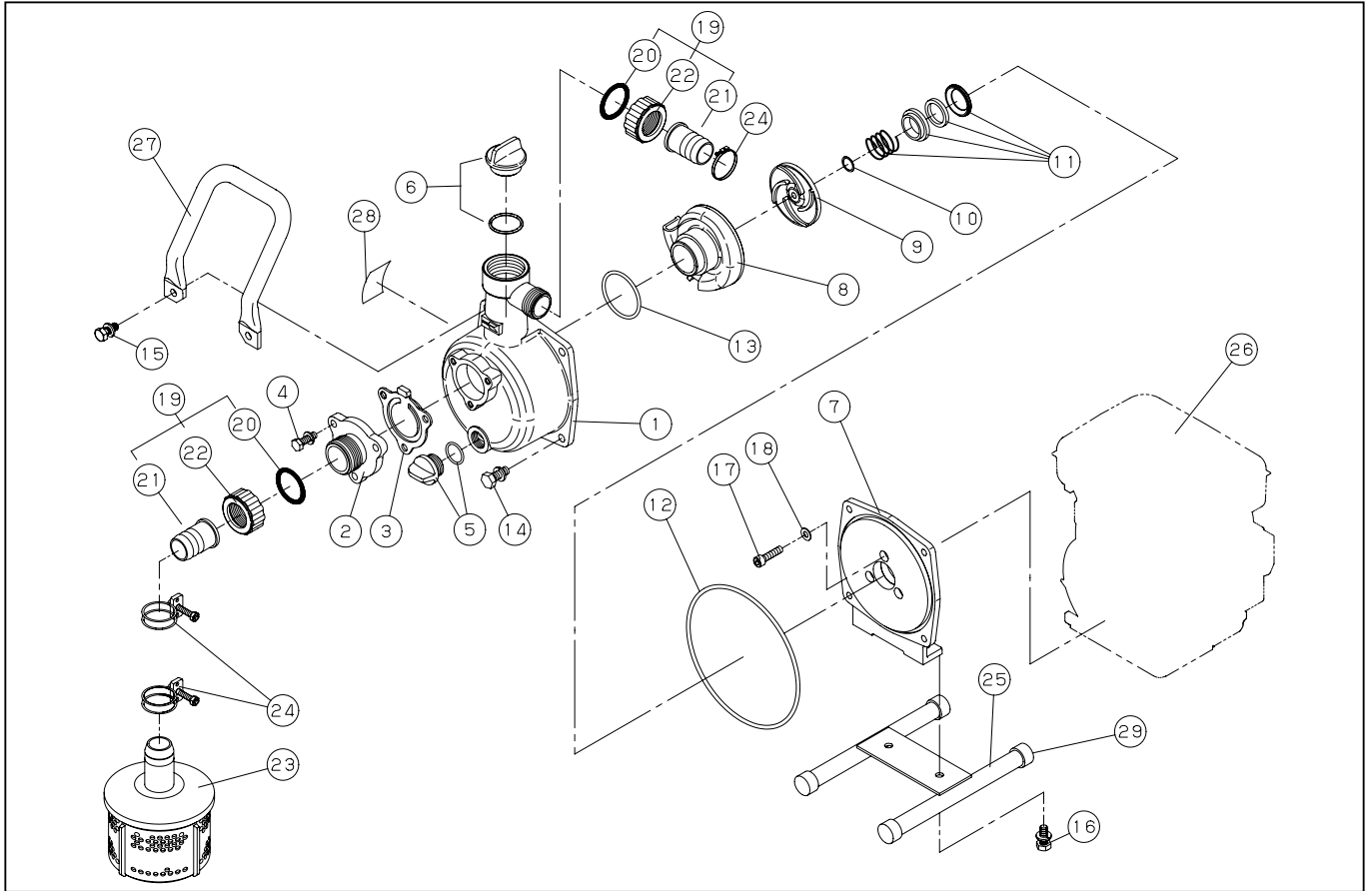


SEM-25L

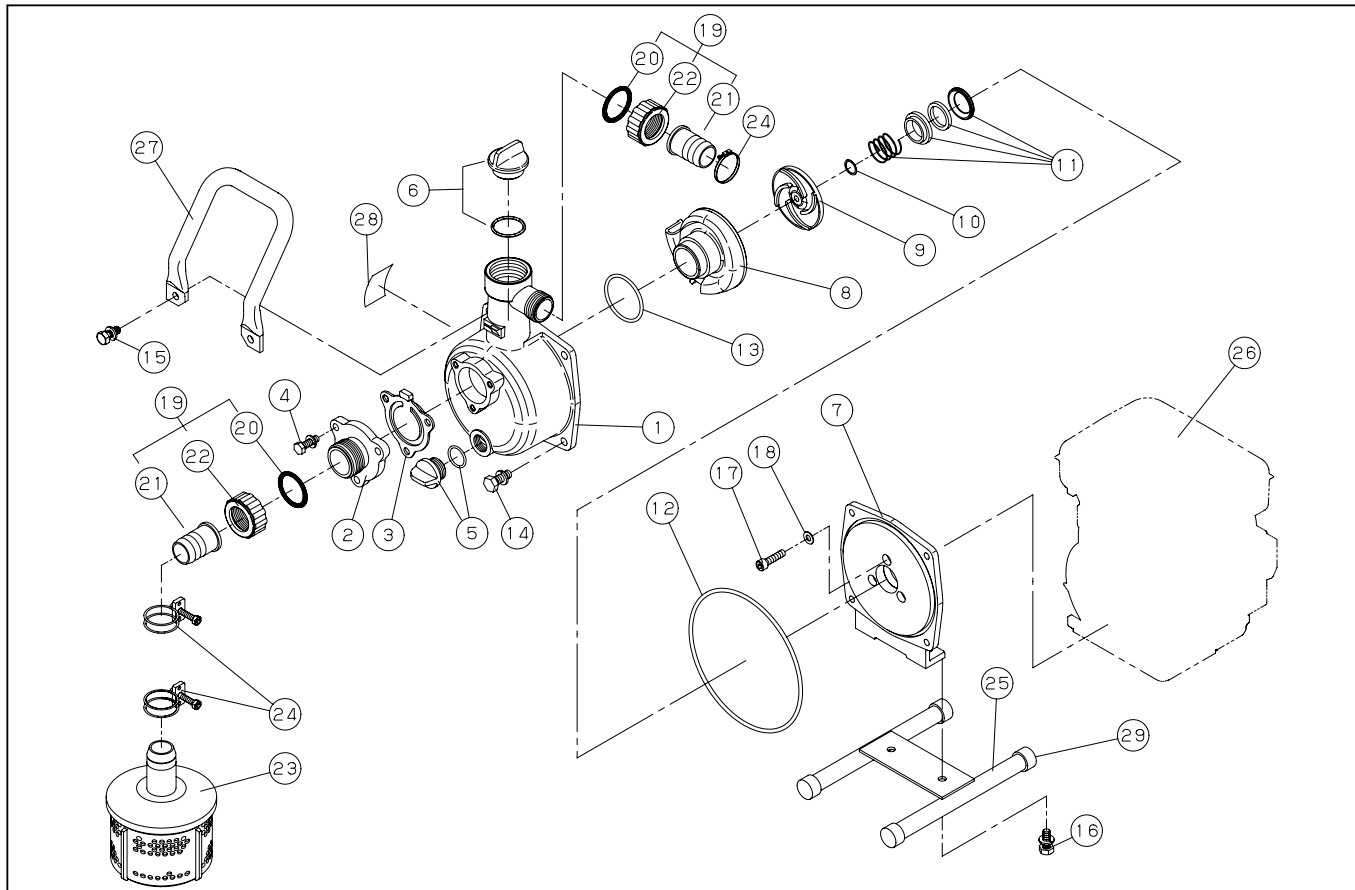


DWG No.012863604 MODEL:SEM-25L (TU26) FORM:SEM-25L-BAA-1

No.	PARTS CODE	PARTS NAME	QTY	MATERIAL	SIZE	REMARKS
1	011332903	PUMP CASING	1	ADC		
2	011332501	SUCTION FLANGE	1	ADC		
3	011332601	CHECK VALVE	1	NBR		
4	743119032	HEXAGON BOLT	3	SWRM	M6X20	
5	014801001	15A PLUG SET	1			
6	011845001	32A PLUG SET	1			
7	011598701	FLANGE BRACKET	1	ADC		
8	011598601	VOLUTE CASING	1	ADC		
9	011598501	IMPELLER	1	ADC		
10	011394401	IMPELLER ADJUSTING WASHER	3	BS		
11	011605402	MECHANICAL SEAL	1		HG-12	
12	890255031	O-RING	1	NBR	1517-31	
13	889855042	O-RING	1	NBR	P42	
14	743119045	HEXAGON BOLT	2	SWRM	M8X20	
15	743119046	HEXAGON BOLT	2	SWRM	M8X22	
16	743119043	HEXAGON BOLT	2	SWRM	M8X16	
17	734532274	HEXAGON SOCKET BOLT	3		M5X40	
18	854255005	SEAL WASHER	3		φ 5	
19	034812401	COUPLING SET	2	ABS	25mm	
20	034006501	COUPLING PACKING	2	CR		
21	034078201	HOSE NIPPLE	2	ABS		
22	034078101	COUPLING	2	ABS		
23	011819301	STRAINER SET	1			
24	940019032	HOSE BAND	3		φ 32	
25	011826703	BASE SET	1			
26	011603303	ENGINE	1	MTSUBISHI TU26MPD-810		
27	011427705	HANDLE	1	STKM		
28	011606603	NAME PLATE	1			
29	011257602	PIPE RUBBER	4	NBR		
	011606302	OPERATION MANUAL	1			

◆ Bare engine can not be supplied

SEM-25L



DWG No.012863604 MODEL:SEM-25L (TU26) FORM:SEM-25L-BAA-1

No.	PARTS CODE	PARTS NAME	QTY	MATERIAL	SIZE	REMARKS
	011606501	PACKING CASE	1			
	011476001	ENGINE CAUTION LABEL C	1			
	011476101	ENGINE CAUTION LABEL D	1			

◆ Bare engine can not be supplied