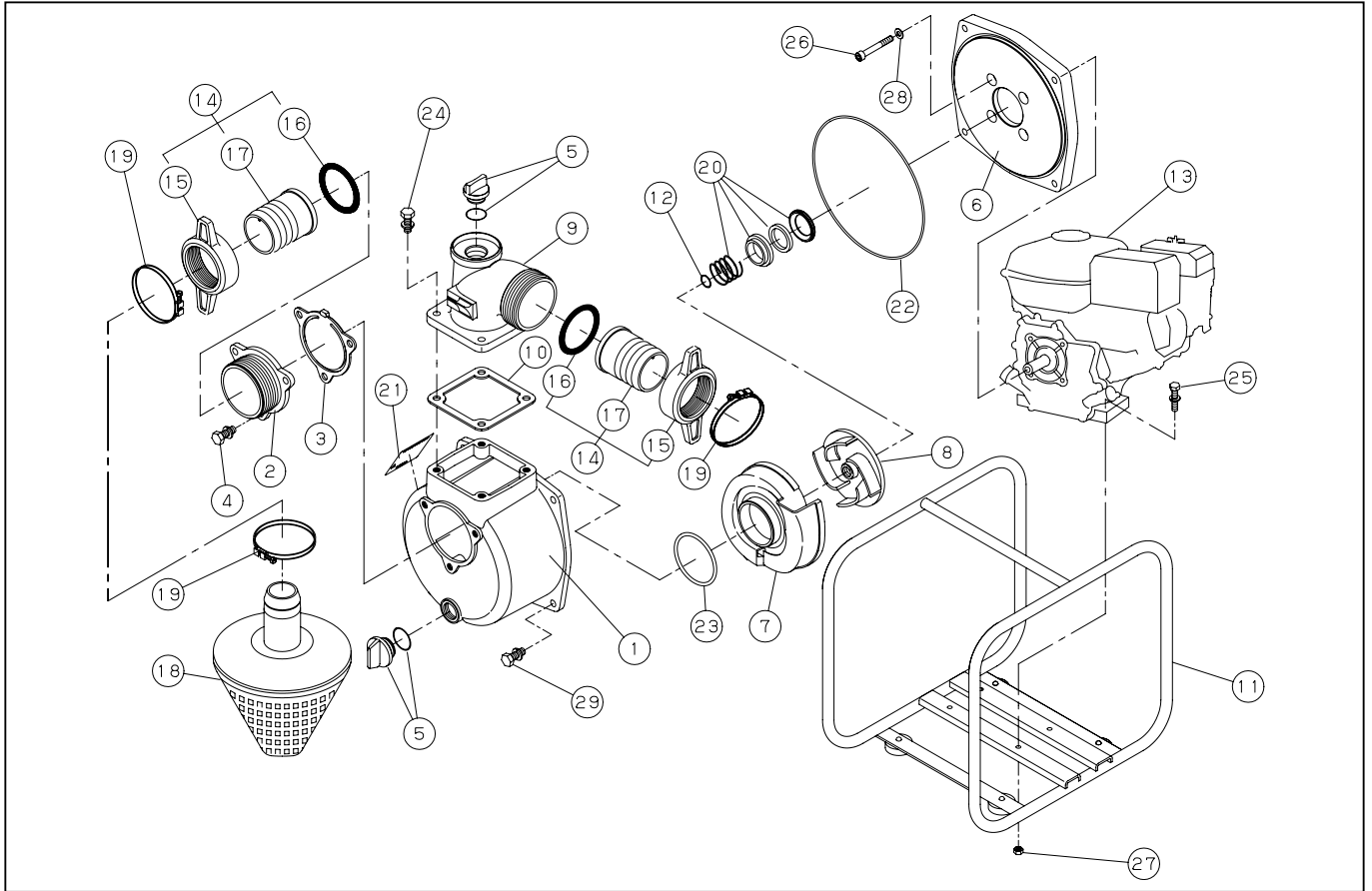


**SEM-50X**

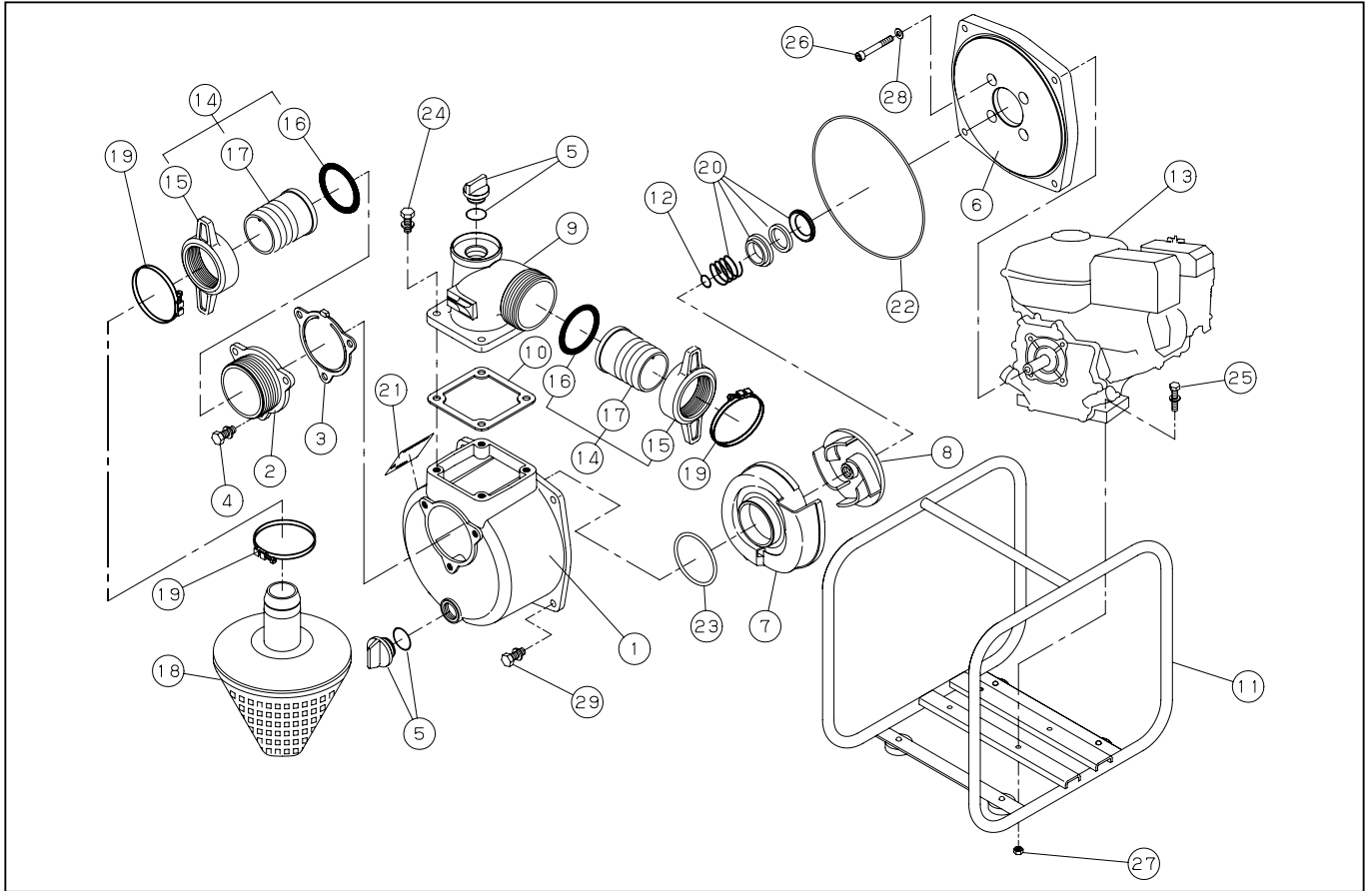


DWG No.011944420 MODEL:SEM-50X (GM132PN) FORM:SEM-50X-BAC-7

No.	PARTS CODE	PARTS NAME	QTY	MATERIAL	SIZE	REMARKS
1	012019501	PUMP CASING	1	ADC	(0112578)	
2	011266203	SUCTION FLANGE	1	ADC		
3	011266501	CHECK VALVE	1	NBR		
4	743119045	HEXAGON BOLT	3	SWRM	M8X20	
5	011807802	20A PLUG SET	2			
6	011257905	FLANGE BRACKET	1	ADC		
7	011464001	VOLUTE CASING	1	FC		
8	011353203	IMPELLER	1	FC		
9	011055605	DELIVERY FLANGE	1	ADC		
10	011054102	DELIVERY FLANGE PACKING	1	CR		
11	011728001	BASE SET	1			
12	011046601	IMPELLER ADJUSTING WASHER	3	BSP		
13	011674702	ENGINE	1			
14	011702603	COUPLING SET	2	ABS		
15	011339002	COUPLING	2	ABS		
16	011339101	COUPLING PACKING	2	NBR		
17	011035605	HOSE NIPPLE	2	ABS		
18	011815901	STRAINER SET	1	PP		
19	940019060	HOSE BAND	3		φ 60	
20	011068803	MECHANICAL SEAL	1		φ 18	
21	011369710	NAME PLATE	1			
22	011501401	O-RING	1	NBR	1517-42.5	
23	011279201	O-RING	1	NBR	P54	
24	743119047	HEXAGON BOLT	4	SWRM	M8X25	
25	743119051	HEXAGON BOLT	4	SWRM	M8X35	
26	734532076	HEXAGON SOCKET BOLT	4	SCM	M8X60	
27	827419008	HEXAGON NUT	4	SWRM	M8	
28	854255008	SEAL WASHER	4		φ 8	
29	743119046	HEXAGON BOLT	4	SWRM	M8X22	
	011369411	PACKING CASE	1			

◆ Bare engine can not be supplied

# SEM-50X



DWG No.011944420 MODEL:SEM-50X (GM132PN) FORM:SEM-50X-BAC-7

No.	PARTS CODE	PARTS NAME	QTY	MATERIAL	SIZE	REMARKS
	011483506	OPERATION MANUAL	1			
	011473401	ENGINE CAUTION LABEL A	1			
	011473501	ENGINE CAUTION LABEL B	1			
	011471806	CE MARK LABEL	1			
	011471302	CAUTION LABEL	1			
	011488404	DECLARATION	1			
	011643101	EU NOISE LABEL(101)	1			

◆ Bare engine can not be supplied