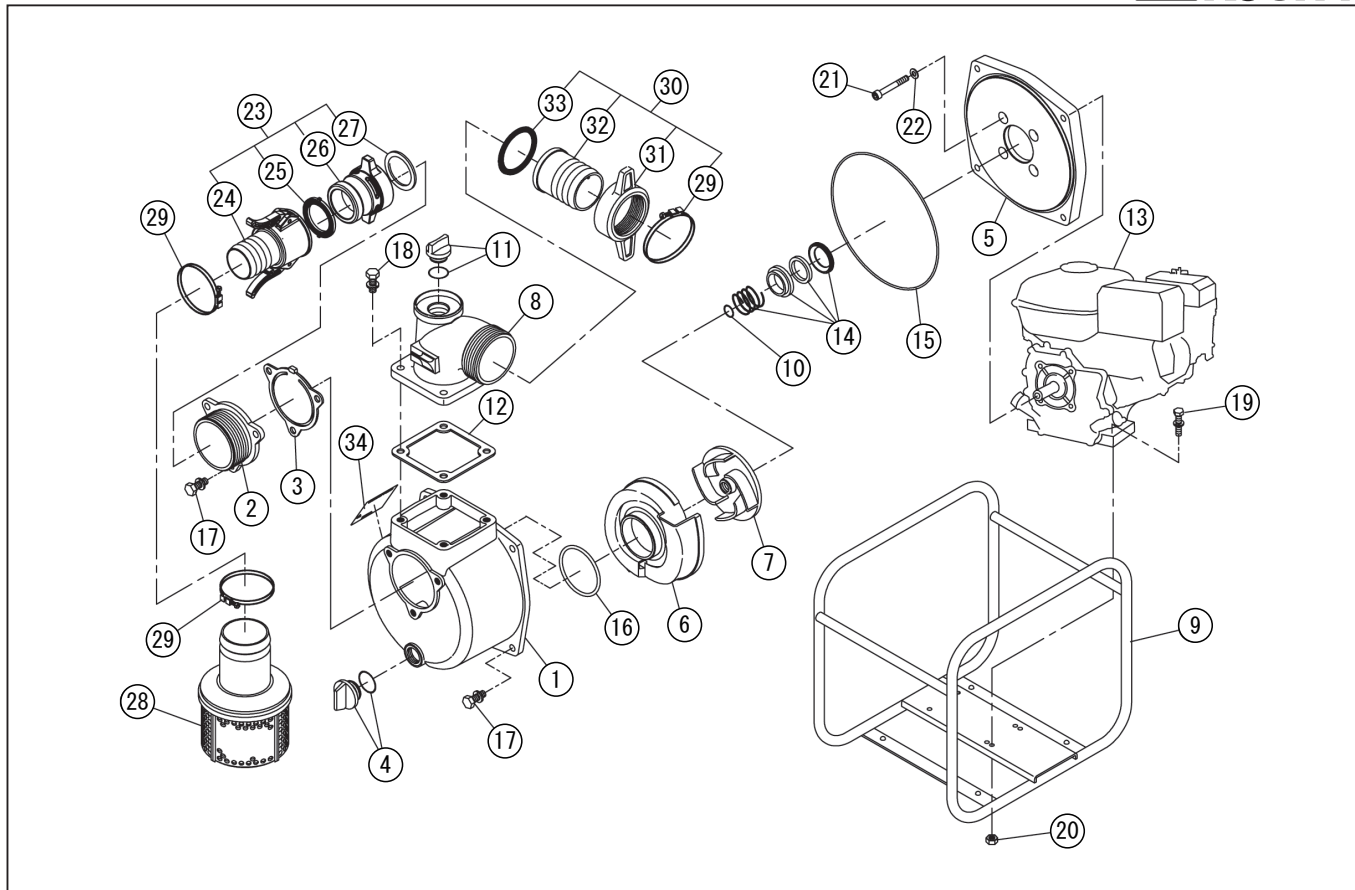


DWG No.012906606 MODELE:SEM-80G FORM:SEM-80G-BAF-2

No.	PARTS CODE	PARTS NAME	QTY	MATERIAL/SIZE	REMARKS
1	0120196	PUMP CASING	1	ADC	
2	0112797	SUCTION FLANGE	1	ADC	
3	0112799	CHECK VALVE	1	NBR	
4	0118078	20A PLUG SET	1		
5	0112796	FLANGE BRACKET	1	ADC	
6	0121047	VOLUTE CASING	1	FC200	
7	0121046	IMPELLER	1	FC200	
8	0110570	DELIVERY FLANGE	1	ADC	
9	0117681	BASE SET	1		
10	0110491	IMPELLER ADJUSTING WASHER	3	BSP	
11	0118079	25A PLUG SET	1		
12	0110584	DELIVERY FLANGE PACKING	1	CR	
13	0121025	ENGINE	1	MITSUBISHI GT600PN-702	
14	0110664	MECHANICAL SEAL	1	φ 20	
15	0115015	O-LING	1	1517-46.5 NBR	
16	0113989	O-LING	1	P74 NBR	
17	743119061	HEXAGON BOLT	7	M10X25 SWRM	
18	743119063	HEXAGON BOLT	4	M10X30 SWRM	
19	743119053	HEXAGON BOLT	4	M8X40 SWRM	
20	827419008	HEXAGON NUT	4	M8 SWRM	
21	734532076	HEXAGON SOCKET BOLT	4	M8X60 SCM CS	
22	854255008	SEAL WASHER	4	φ 8	
23	0118358	QUICK COUPLING ASSY	1	PS	
24	0117492	CAM LOCK NIPPLE (WITH LEVER)	1		
25	0113488	CAM LOCK PACKING	1	80M/M	
26	0112849	CAM LOCK BODY	1		
27	0110100	COUPLING PACKING	1	NBR	
28	0118195	STRAINER SET	1	PP	
29	940019090	HOSE BAND	3	φ 90	
30	0117028	COUPLING SET	1		



DWG No.012906606 MODELE:SEM-80G FORM:SEM-80G-BAF-2

No.	PARTS CODE	PARTS NAME	QTY	MATERIAL/SIZE	REMARKS
31	0114375	COUPLING	1	ABS	
32	0110301	HOSE NIPPLE	1	ABS	
33	0114378	COUPLING PACKING	1	NBR.HS65±5	
34	0121057	NAME PLATE	1		
	0121058	PACKING CASE	1		

◆ Bare engine can not be supplied