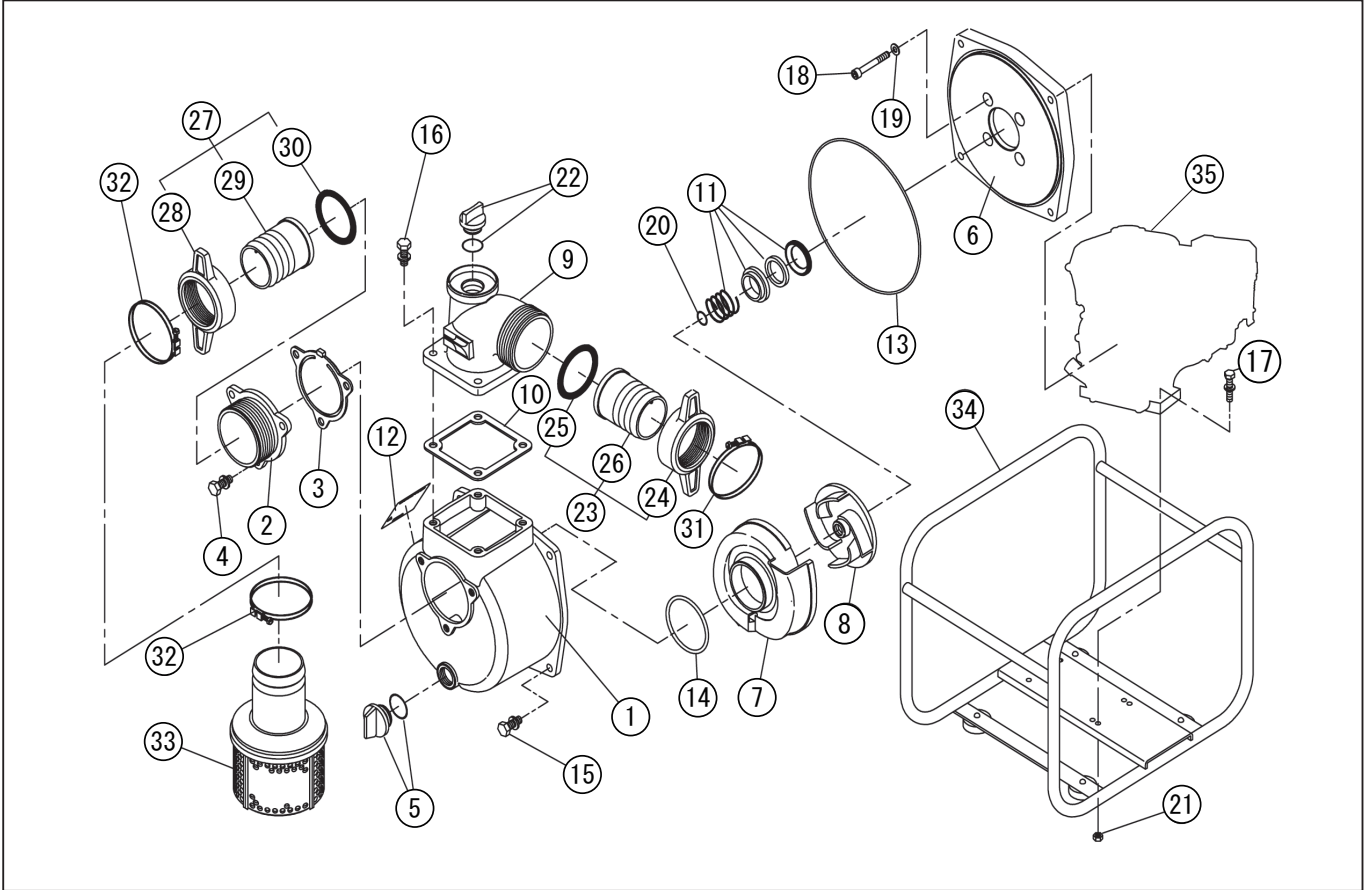


DWG No.012861707 MODELE:SERH-50 FORM:SERH-50-BAB-2(GX240)

No.	PARTS CODE	PARTS NAME	QTY	MATERIAL/SIZE	REMARKS
1	0114184	PUMP CASING	1	ADC	
2	0114004	SUCTION FLANGE	1	ADC	
3	0112799	CHECK VALVE	1	NBR	
4	743119061	HEXAGON BOLT	3	M10×25 SWRM	
5	0118079	25A PLUG SET	1		
6	0110722	FLANGE BRACKET	1	ADC	
7	0112819	VOLUTE CASING	1	FC-20	
8	0112862	IMPELLER	1	FC-20	
9	0114209	DELIVERY FLANGE	1	ADC	
10	0110584	DELIVERY FLANGE PACKING	1	CR	
11	0110862	MECHANICAL SEAL	1	HG9A-MN(H) φ 25	
12	0115980	NAME PLATE	1		
13	0115016	O-RING	1	1517-51.5 NBR	
14	0113989	O-RING	1	P74 NBR	
15	743119078	HEXAGON BOLT	4	M12X30 SWRM	
16	743119063	HEXAGON BOLT	4	M10X30 SWRM	
17	743119067	HEXAGON BOLT	4	M10X40 SWRM	
18	734532076	HEXAGON SOCKET BOLT (WITH WASHER)	4	M8X60 SCM CS	
19	854255008	SEAL WASHER	4	φ 8	
20	0110081	IMPELLER ADJUSTING WASHER	2	T0.3	
21	827419010	HEXAGON NUT	4	M10 SWRM	
22	0118078	20A PLUG SET	1		
23	0117026	COUPLING SET	1		
24	0113390	COUPLING	1	ABS	
25	0113391	COUPLING PACKING	1	NBR	
26	0110356	HOSE NIPPLE	1	ABS	
27	0118017	COUPLING SET	1	AC	
28	0110365	COUPLING	1	AC	
29	0110366	65 HOSE NIPPLE	1	ABS	
30	0110367	COUPLING PACKING	1	NBR	

◆ Bare engine can not be supplied



DWG No.012861707 MODELE:SERH-50 FORM:SERH-50-BAB-2(GX240)

No.	PARTS CODE	PARTS NAME	QTY	MATERIAL/SIZE	REMARKS
31	940019060	HOSE BAND	1	φ 60	
32	940019080	HOSE BAND	2	φ 80	
33	0118046	STRAINER SET	1		
34	0128256	BASE SET	1		
35	0115738	ENGINE (WITH ALERT)	1	HONDA GX240UT2WKK2	
	0120905	PACKING CASE	1		

◆ Bare engine can not be supplied