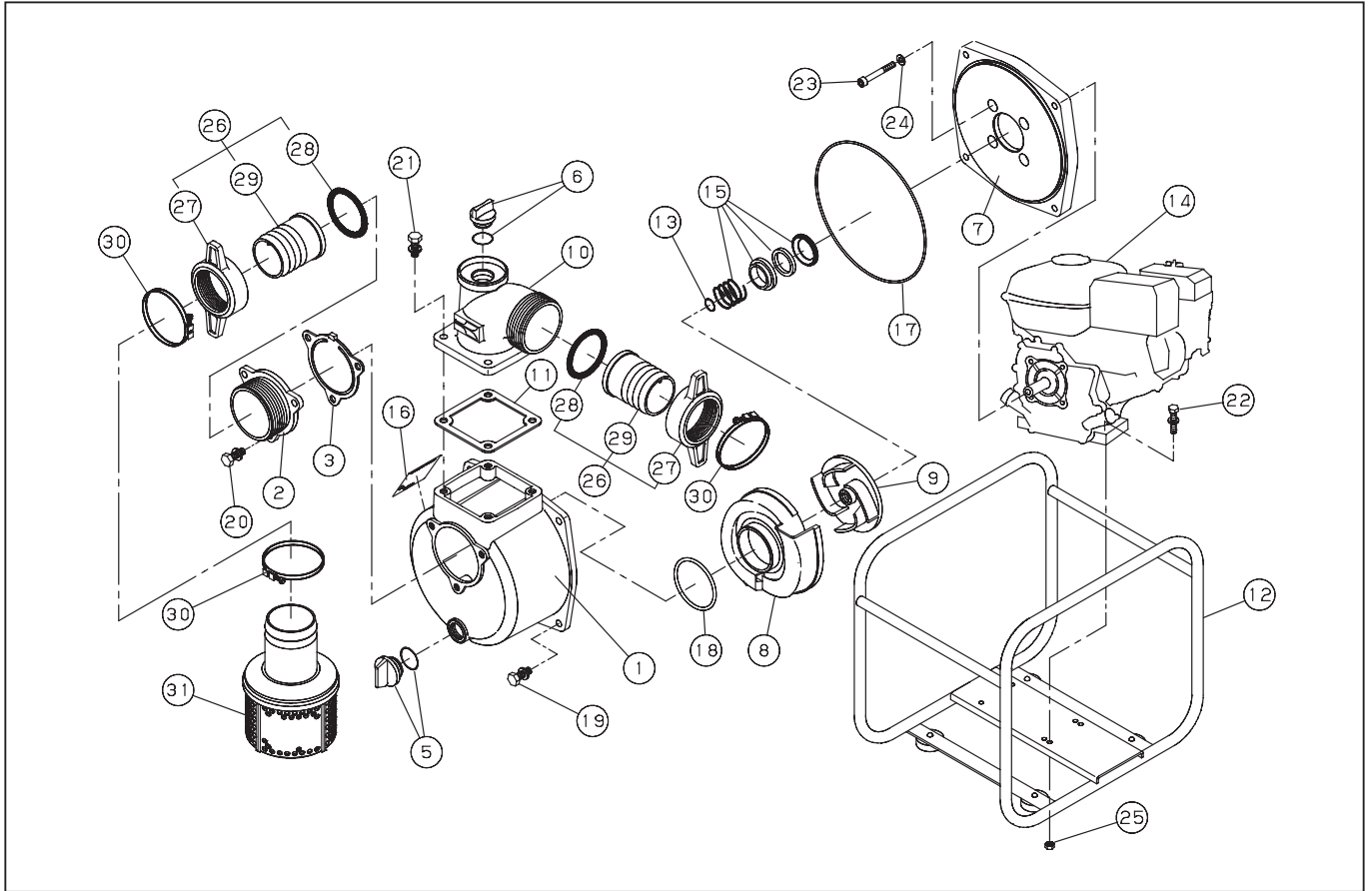


SERH-50B

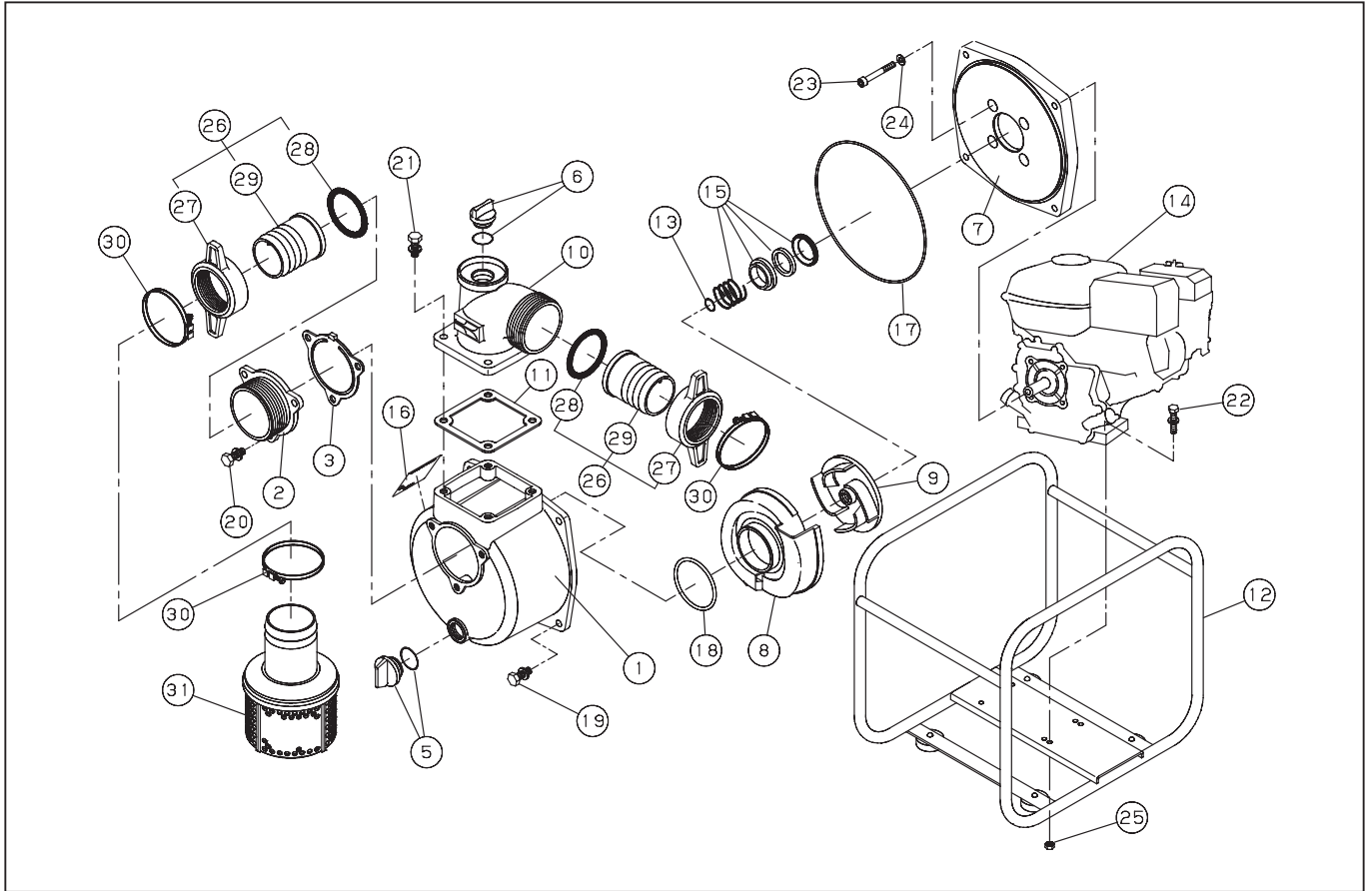


DWG No. 012888203 MODEL: SERH-50B FORM:SERH-50B-BAE-0(GX160)

No.	PARTS CODE	PARTS NAME	QTY	MATERIAL	SIZE	REMARKS
1	011724401	PUMP CASING	1			
2	011418402	PUMP CASING	1	ADC		
3	011400301	SUCTION FLANGE	1	ADC		
4	011279901	CHECK VALVE	1	NBR		
5	011807802	20A PLUG SET	1			
6	011807901	25A PLUG SET	1			
7	011056802	FLANGE BRACKET	1	ADC		
8	011281803	VOLUTE CASING	1	FC-20		
9	011286101	IMPELLER	1	FC-20		
10	011420901	DELIVERY FLANGE	1	ADC		
11	011058402	FLANGE PACKING	1	CR		
12	011701601	BASE SET	1		NO.240	
13	011049101	IMPELLER ADJUSTING WASHER	3	BSP		
14	011430302	ENGINE	1	HONDA GX160U1WKT2	CE · USA	WITH OIL ALERT
15	011086302	MECHANICAL SEAL	1	HG9A-MN (H)	φ 20	
16	012017701	NAME PLATE	1	T FILM		
17	011501601	O-RING	1	NBR	1517-51.5	
18	011398901	O-RING	1	NBR	P74	
19	743119078	HEXAGON BOLT	4	SWRM	M12X30	
20	743119061	HEXAGON BOLT	3	SWRM	M10X25	
21	743119063	HEXAGON BOLT	4	SWRM	M10X30	
22	743119053	HEXAGON BOLT	4	SWRM	M8X40	
23	734532076	HEXAGON SOCKET BOLT	4	SCM	M8X60	
24	854255008	SEAL WASHER	4		φ 8	
25	827419008	HEXAGON NUT	4	SWRM	M8	
26	011702602	COUPLING SET	2	ABS		
27	011339002	COUPLING	2	ABS		
28	011339101	COUPLING PACKING	2	NBR		
29	011035605	HOSE NIPPLE	2	ABS		
30	940019060	HOSE BAND	3		φ 60	

◆ Bare engine can not be supplied

SERH-50B



DWG No. 012888203 MODEL: SERH-50B FORM:SERH-50B-BAE-0(GX160)

No.	PARTS CODE	PARTS NAME	QTY	MATERIAL	SIZE	REMARKS
31	011804703	STRAINER SET	1			
	011476909	OPERATION MANUAL	1			
	012017801	OUTER CARTON	1	(WITH OIL ALART)		

◆ Bare engine can not be supplied