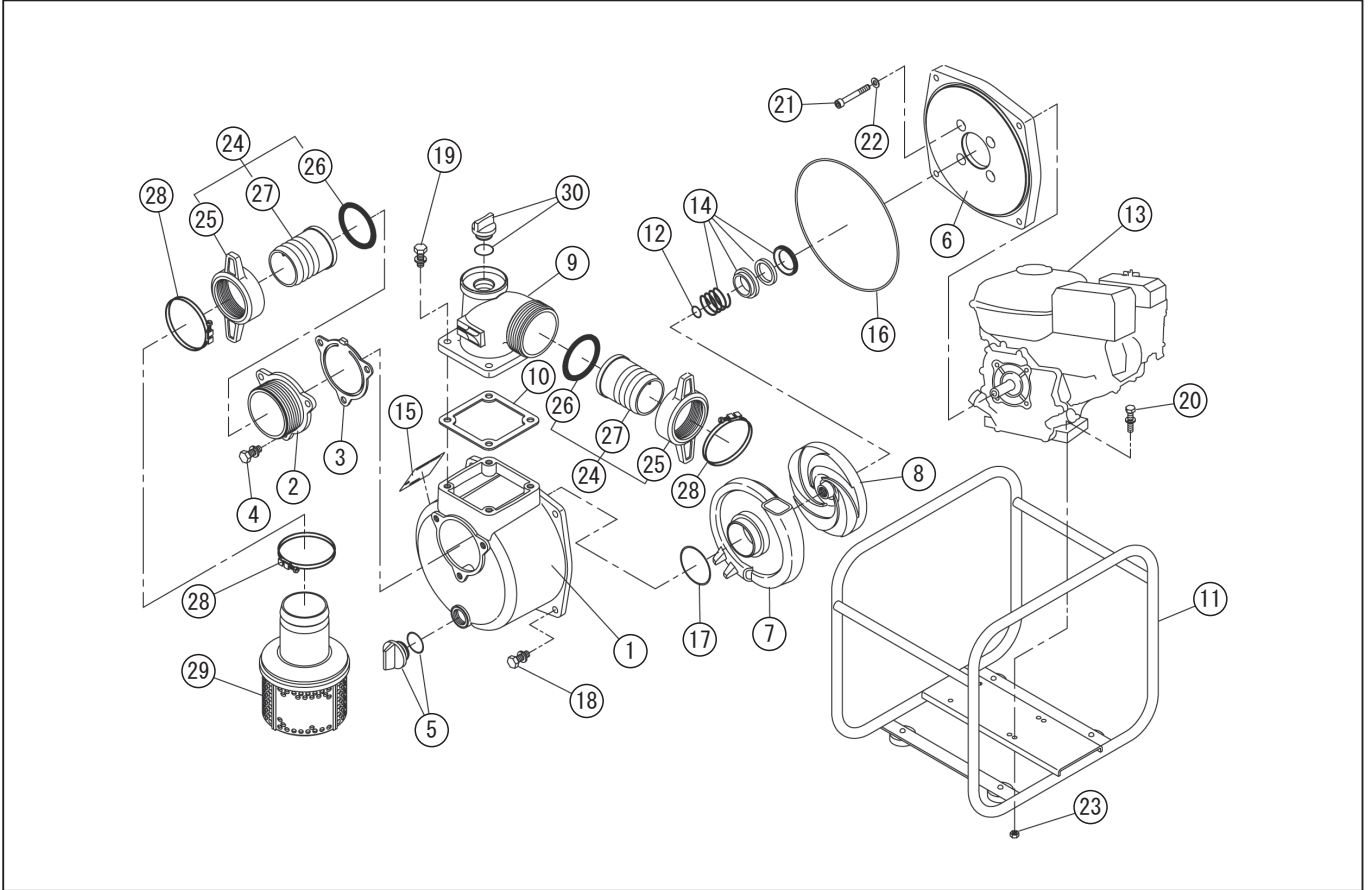


DWG No.012888207 MODEL:SERH-50B FORM:SERH-50B-BAE-2(GX160UT2)

No.	PARTS CODE	PARTS NAME	QTY	MATERIAL/SIZE	REMARKS
1	0122155	PUMP CASING	1	ADC"KOSHIN"	
2	0114003	SER-40 SUCTION FLANGE	1	ADC	
3	0112799	CHECK VALVE	1	NBR	
4	743119061	BOLT	3	M10×25 SWRM	
5	0118079	25A PLUG SET	1		
6	0110568	FLANGE BRACKET	1	ADC	
7	0112818	VOLUTE CASING	1	FC-20	
8	0112861	IMPELLER	1	FC-20	
9	0114209	SER-50 DELIVERY FLANGE	1	ADC	
10	0110584	FLANGE PACKING	1	CR	
11	0117016	BASE SET	1		
12	0110491	ADJUSTING WASHER	3	BSP	
13	0114303	HONDA GX160 ENGINE	1		
14	0110863	MECHANICAL SEAL	1	HG9A-MN(H) φ 20	
15	0120177	NAME PLATE	1		
16	0115016	O-RING 1517-51.5	1	1517-51.5 NBR	
17	0113989	O-RING P74	1	P74 NBR	
18	743119078	BOLT	4	M12×30 SWRM	
19	743119063	BOLT	4	M10×30 SWRM	
20	743119053	BOLT	4	M8×40 SWRM	
21	734532076	SOCKET BOLT	4	M8×60 SCM CS	
22	854255008	SEAL WASHER	4	φ 8	
23	827419008	NUT	4	M8	
24	0117026	COUPLING SET	2		
25	0113390	COUPLING	2	ABS	
26	0113391	COUPLING PACKING	2	NBR	
27	0110356	HOSE NIPPLE	2	ABS	
28	940019060	HOSE BAND	3	φ 60	
29	0118047	SER-40 STRAINER SET	1		
30	0118078	20A PLUG SET	1		



DWG No.012888207 MODEL:SERH-50B FORM:SERH-50B-BAE-2(GX160UT2)

No.	PARTS CODE	PARTS NAME	QTY	MATERIAL/SIZE	REMARKS
	0114713	CAUTION LABEL	1		
	0114718	CE MARK LABEL	1		
	0114820	SEH DECLARATION	1		
	0116434	EU NOISE LABEL (108)	1		

◆ Bare engine can not be supplied