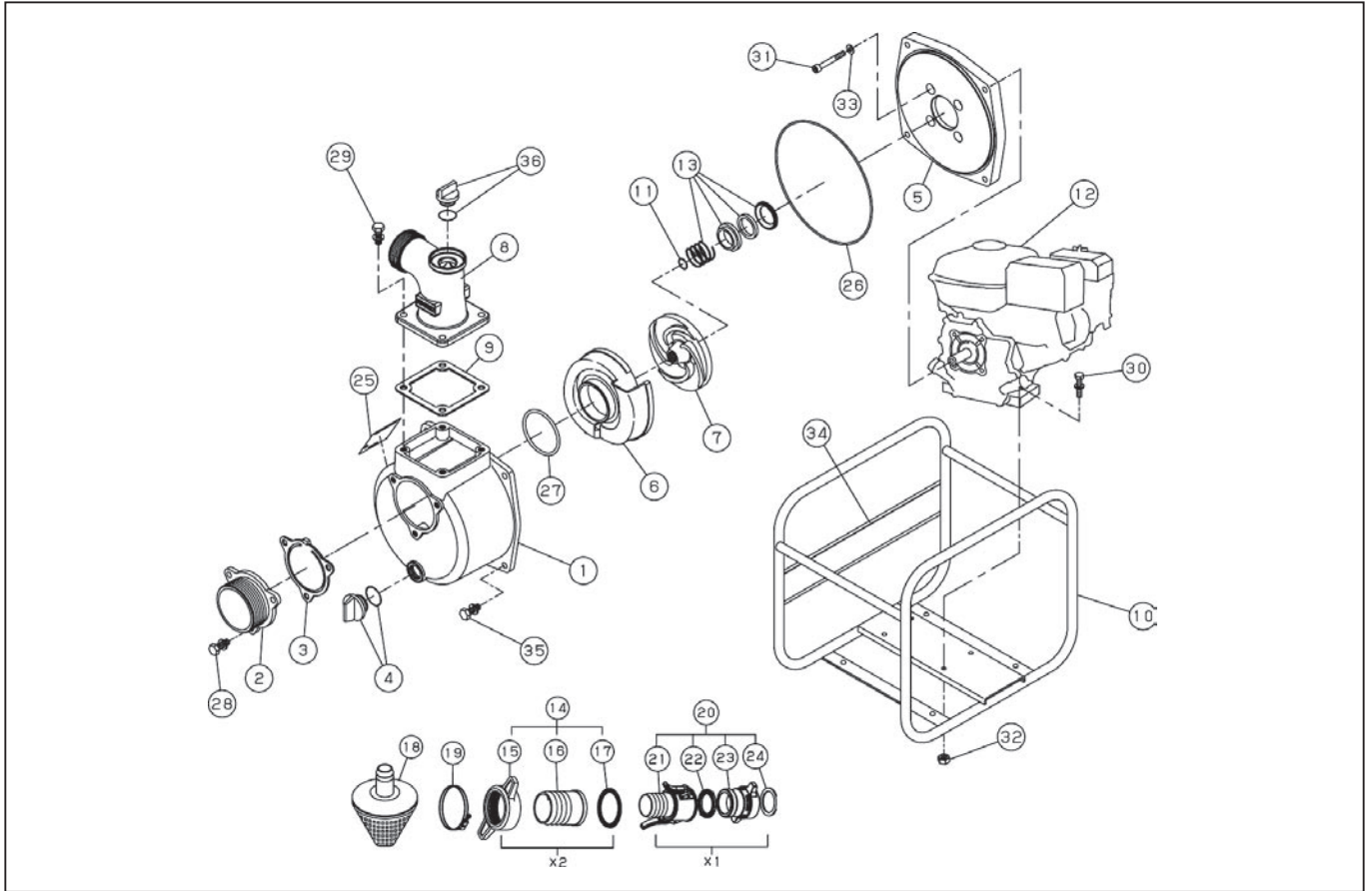


SEV-50X

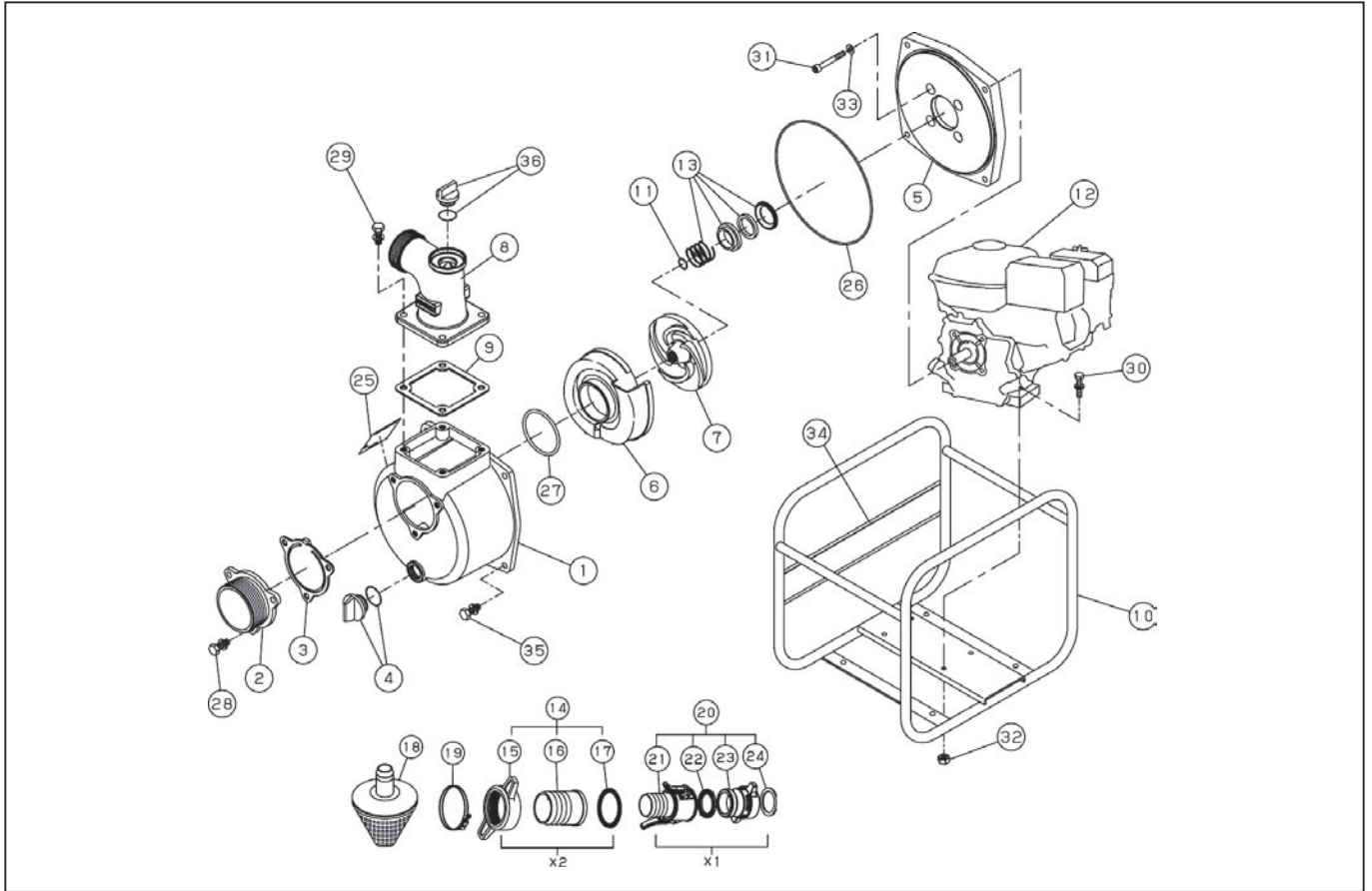


DWG No.012911201 MODEL:SEV-50X FORM:SE-SEV-50X-BAG-0

No.	PARTS CODE	PARTS NAME	QTY	MATERIAL	SIZE	REMARKS
1	012019501	PUMP CASING	1	ADC		
2	011266204	SUCTION FLANGE	1			
3	011266502	CHECK VALVE	1			
4	011807802	20A PLUG SET	2			
5	012122601	FLANGE BRACKET	1			
6	012093301	VOLUTE CASING	1			
7	012122701	IMPELLER	1			
8	011055606	DELIVERY FLANGE	1			
9	011054102	FLANGE PACKING	1	CR		
10	012831401	BASE SET	1			
11	011049102	ADJUSTING WASHER	3	BSP		
12	012127301	ENGINE	1			
13	011066402	MECHANICAL SEAL	1		φ 20	
14	011702604	CUPLING SET	2			
15	011339003	CUPLING	2			
16	011035606	HOSE NIPPLE	2			
17	011339102	CUPLING PACKING	2			
18	012125801	STRAINER SET	1			
19	012008601	HOSE BAND	3			
20	012832601	QUICK COUPLING SET	1			
21	011800301	CAM LOCK NIPPLE (WITH LEVER)	1			
22	012047901	CAM LOCK PACKING	1			
23	012021102	CAM LOCK BODY	1			
24	012021301	CAM LOCK BODY PACKING	1			
25	012131801	NAME PLATE	1			
26	011501402	O-RING	1			
27	011279202	O-RING	1			
28	743119045	BOLT M8X20	3	SWRM	M8X20	
29	743119047	BOLT M8X25	4	SWRM	M8X25	
30	743119051	BOLT M8X35	4	SWRM	M8X35	

◆ Bare engine can not be supplied

SEV-50X



DWG No.012911201 MODEL:SEV-50X FORM:SE-SEV-50X-BAG-0

No.	PARTS CODE	PARTS NAME	QTY	MATERIAL	SIZE	REMARKS
31	734532076	SOCKET BOLT M8X60	4	SCM	M8X60	
32	827419008	NUT M8	4	SWRM	M8	
33	854255008	SEAL WASHER	4		φ 8	
34	012042802	SIDE PANEL LABEL	1			
35	743119046	BOLT M8X22	4	SWRM	M8X22	
	012131901	PACKING CASE	1			
	012127502	OPERATION MANUAL	1	A5		
	012132201	MANUAL (SPEC)	1	A5		
	012127601	DECLARATION FORM	1			
	011471806	CE MARK LABEL	1			
	011471302	CAUTION LABEL	1			
	011643201	EU NOISE LABEL (102)	1	PET PET		
	011473401	ENGINE CAUTION LABEL A	1			
	011473501	ENGINE CAUTION LABEL B	1			
	012126101	ENGINE "MADE IN JAPAN" LABEL	1			

◆ Bare engine can not be supplied