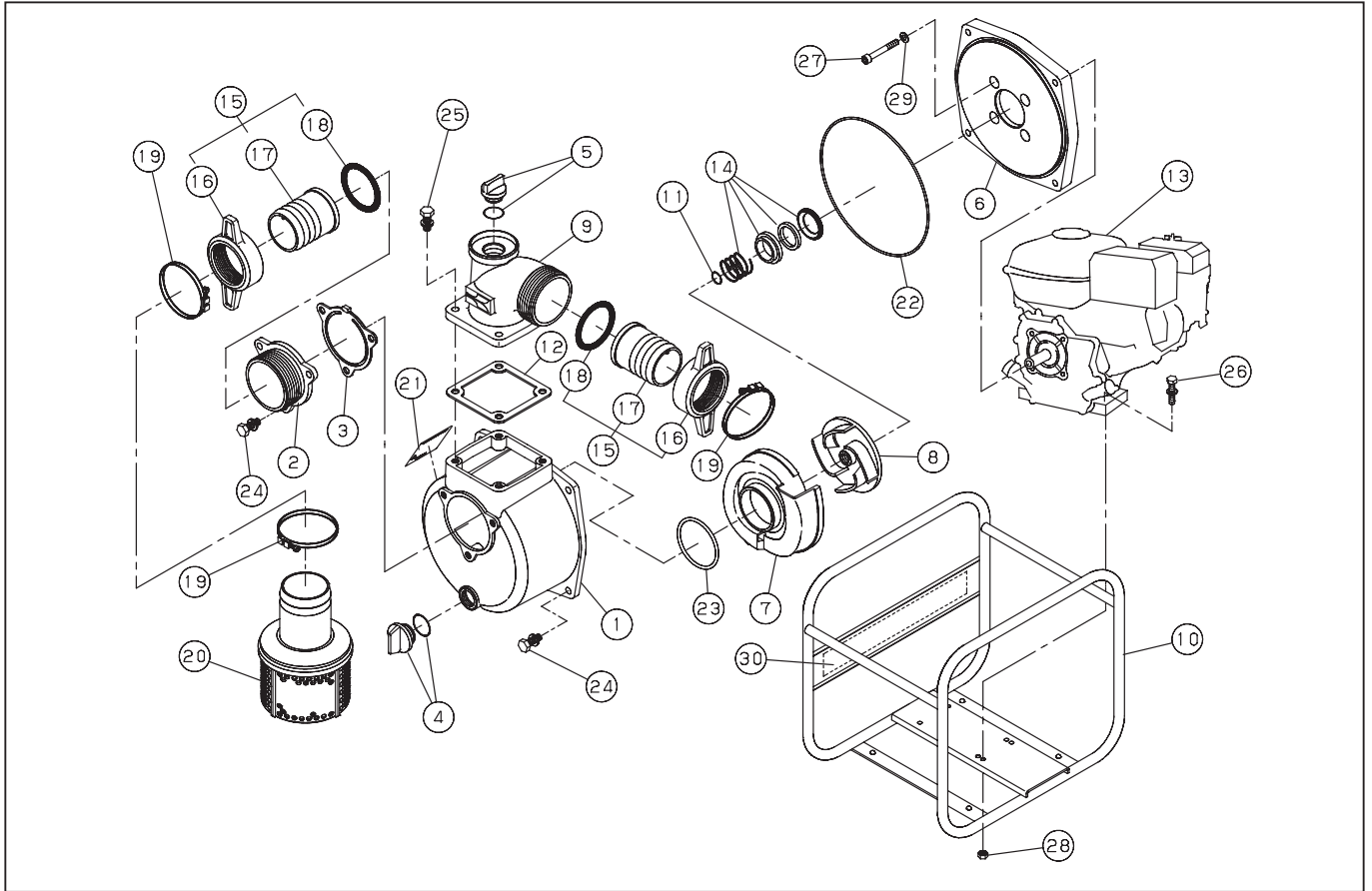


SEV-80X

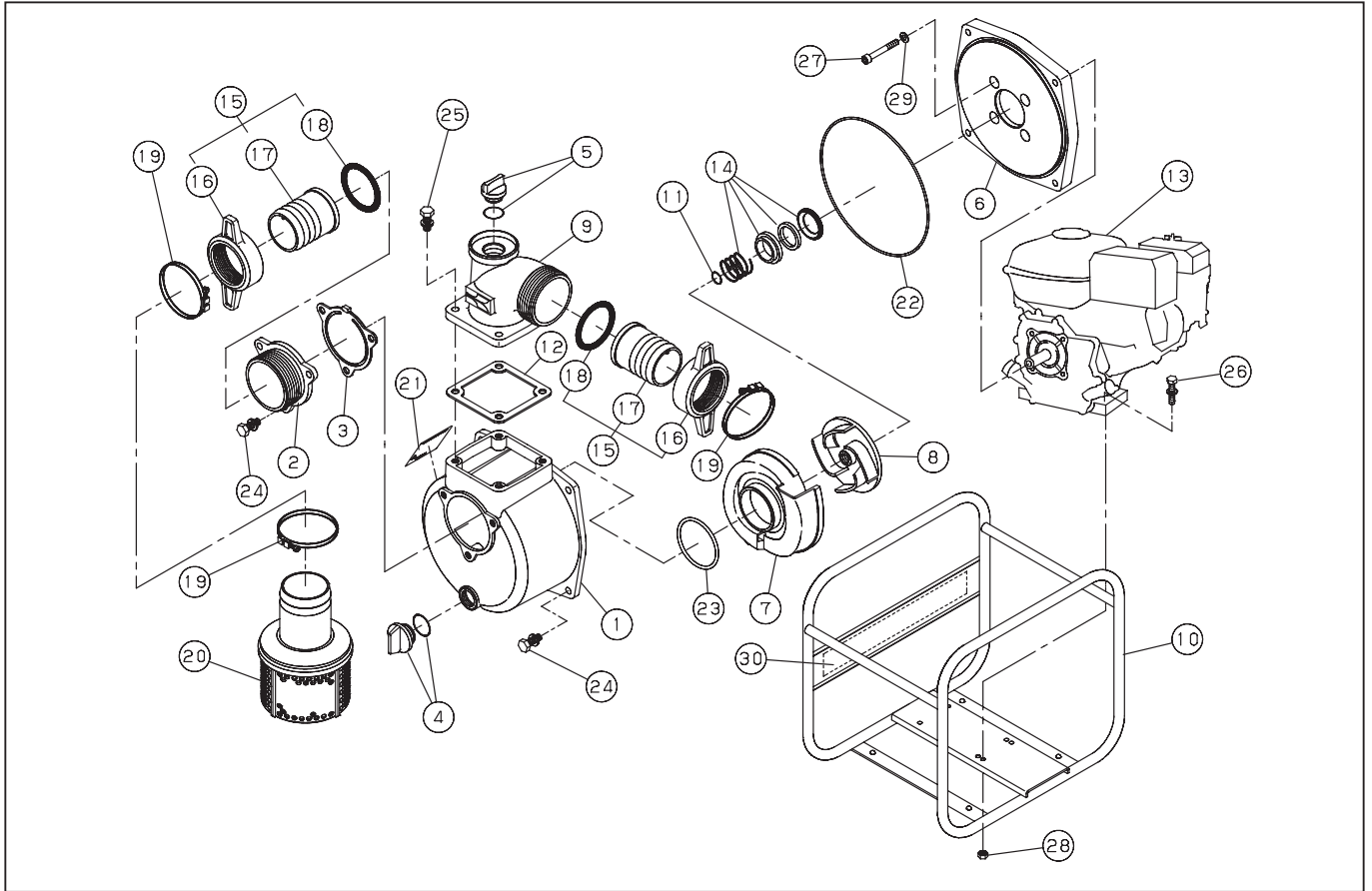


DWG No:012910203 MODEL:SEV-80X FORM:SEV-80X-BAC-0

No.	PARTS CODE	PARTS NAME	QTY	MATERIAL	SIZE	REMARKS
1	012019602	PUMP CASE	1	ADC		
2	011279701	SUCTION FLANGE	1	ADC		FOR SE/SEH-80X
3	011279902	CHECK VALVE	1			
4	011807802	20A PLUG SET	1			
5	011807901	25A PLUG SET	1			
6	012130401	FLANGE BRACKET	1			
7	012104701	VOLUTE CASING	1			
8	012104602	IMPELLER	1			
9	011057005	DELIVERY FLANGE	1			
10	012831501	BASE SET	1			
11	011049102	IMPELLERADJUSTING WASHER	3	BSP		
12	011058402	FLANGE PACKING	1	CR		
13	012127301	ENGINE	1			
14	011066402	MECHANICAL SEAL	1		φ 20	
15	011702804	CUPLING SET	2			
16	011437503	CUPLING	2			
17	011030106	HOSE NIPPLE	2			
18	011437802	CUPLING PACKING	2			
19	012106601	HOSE BAND	3			
20	011819502	STRAINER SET	1			
21	012128101	NAME PLATE	1			
22	011501502	O-RING	1			
23	011398902	O-RING	1			
24	743119061	HEXAGON BOLT	7	SWRM	M10X25	
25	743119063	HEXAGON BOLT	4	SWRM	M10X30	
26	743119053	HEXAGON BOLT	4	SWRM	M8X40	
27	734532076	HEXAGON SOCKET BOLT	4	SCM	M8X60	
28	827419008	HEXAGON NUT	4	SWRM	M8	
29	854255008	SEAL WASHER	4		φ 8	
30	012042802	SIDE PANEL LABEL	1			

◆ Bare engine can not be supplied

SEV-80X



DWG No:012910203 MODEL:SEV-80X FORM:SEV-80X-BAC-0

No.	PARTS CODE	PARTS NAME	QTY	MATERIAL	SIZE	REMARKS
	012831602	OPERATION MANUAL SET	1	A5		
	012127601	DECLARATION FORM	1			
	012128002	PACKING CASE	1			
	011471806	CE MARK LABEL	1			
	011471302	CAUTION LABEL	1			
	011643101	EU NOISE LABEL	1	PET+PET		
	011473401	ENGINE CAUTION LABEL A	1			
	011473501	ENGINE CAUTION LABEL B	1			

◆ Bare engine can not be supplied