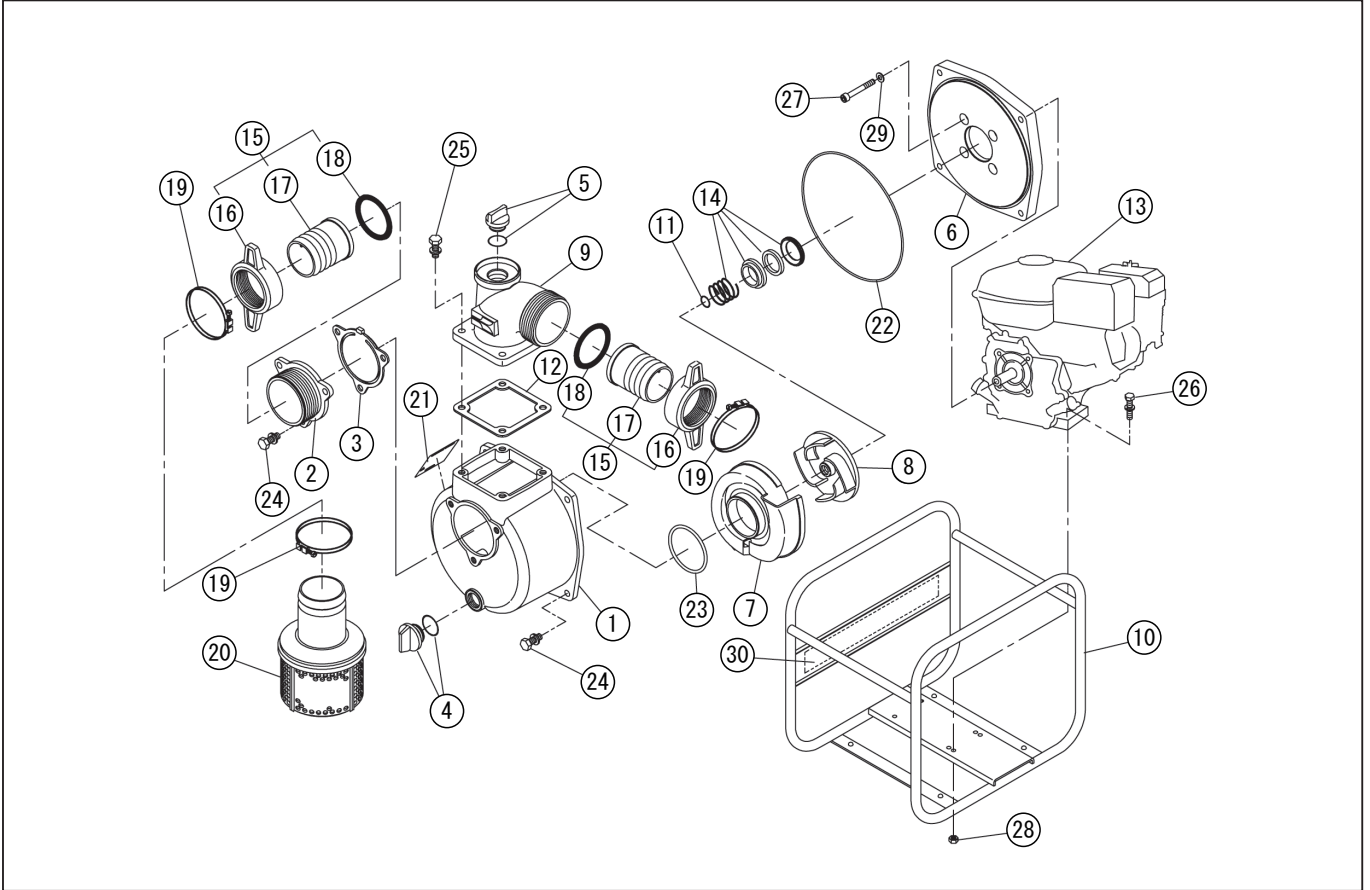


DWG No.012910207 MODEL:SEV-80X FORM:SV-80X-BAC-0

No.	PARTS CODE	PARTS NAME	QTY	MATERIAL/SIZE	REMARKS
1	0120196	PUMP CASING	1	ADC	
2	0112797	SUCTION FLANGE	1	ADC	
3	0112799	CHECK VALVE	1	NBR	
4	0118078	20A PLUG SET	1		
5	0118079	25A PLUG SET	1		
6	0121304	FLANGE BRACKET	1		
7	0121047	VOLUTE CASING	1	FC200	
8	0121046	IMPELLER	1	FC200	
9	0110570	DELIVERY FLANGE	1	ADC	
10	0128315	BASE SET	1		
11	0110491	IMPELLER ADJUSTING WASHER	3	BSP	
12	0110584	DELIVERY FLANGE PACKING	1	CR	
13	0121273	ENGINE (WITH ALERT)	1	KOSHIN K180-3	
14	0110664	MECHANICAL SEAL	1	φ 20	
15	0117028	COUPLING SET	2		
16	0114375	COUPLING	2	ABS	
17	0110301	HOSE NIPPLE	2	ABS	
18	0114378	COUPLING PACKING	2	NBR.HS65±5	
19	940019090	HOSE BAND	3	φ 90	
20	0118195	STRAINER SET	1	PP	
21	0121281	NAME PLATE	1	T0.05	
22	0115015	O-RING	1	1517-46.5 NBR	
23	0113989	O-RING	1	P74 NBR	
24	743119061	HEXAGON BOLT	7	M10X25 SWRM	
25	743119063	HEXAGON BOLT	4	M10X30 SWRM	
26	743119053	HEXAGON BOLT	4	M8X40 SWRM	
27	734532076	HEXAGON SOCKET BOLT	4	M8X60 SCM CS	
28	827419008	HEXAGON NUT	4	M8 SWRM	
29	854255008	SEAL WASHER	4	φ 8	
30	0120428	SIDE PANEL LABEL	1		

◆ Bare engine can not be supplied



DWG No.012910207 MODEL:SEV-80X FORM:SV-80X-BAC-0

No.	PARTS CODE	PARTS NAME	QTY	MATERIAL/SIZE	REMARKS
	0121280	PACKING CASE	1		

◆ Bare engine can not be supplied