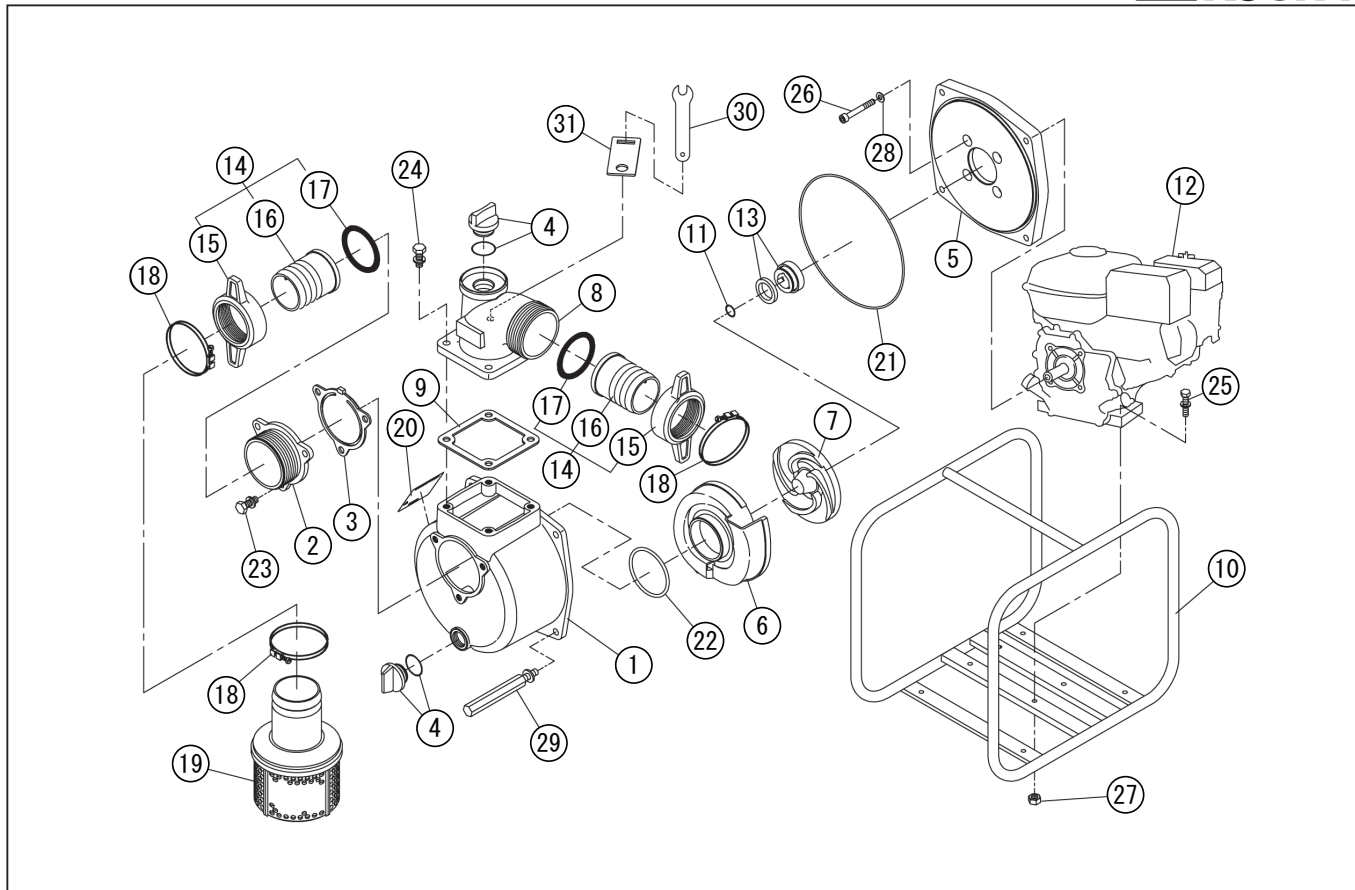


DWG No.01290007 MODELE:STR-50EX FORM:STR-50EX-BAA-1

No.	PARTS CODE	PARTS NAME	QTY	MATERIAL/SIZE	LIST PRICE	REMARKS
1	0120195	PUMP CASING	1	ADC		
2	0112662	SUCTION FLANGE	1	ADC		
3	0112665	CHECK VALVE	1	NBR		
4	0118078	20A PLUG SET	2			
5	0114027	FLANGE BRACKET	1	ADC		
6	0115169	VOLUTE CASING	1	FCD450		
7	0115168	IMPELLER	1	FCD450		
8	0110556	DELIVERY FLANGE	1	H=0.63 S=0.38		
9	0110541	DELIVERY FLANGE PACKING	1	CR 70 °		
10	0128370	BASE SET	1			
11	0110466	IMPELLER ADJUSTING WASHER	3	BSP T=0.3		
12	0121472	ENGINE (WITH ALERT)	1	ROBIN EX170DM2570(EX16)		
13	0115159	MECHANICAL SEAL	1	HJ-20(B)BSIC		
14	0117026	COUPLING SET	2			
15	0113390	COUPLING	2	ABS		
16	0110356	HOSE NIPPLE	2	ABS		
17	0113391	COUPLING PACKING	2	NBR		
18	940019060	HOSE BAND	3	φ 60		
19	0111286	STRAINER	1	SPC		
20	0120801	NAME PLATE	1	T0.05		
21	0115014	O-RING	1	1517-42.5 NBR		
22	0112792	O-RING	1	P54 NBR		
23	743119045	HEXAGON BOLT	3	M8X20 SWRM		
24	743119047	HEXAGON BOLT	4	M8X25 SWRM		
25	743119051	HEXAGON BOLT	4	M8X35 SWRM		
26	734532076	HEXAGON SOCKET BOLT	4	M8X60 SCM CS		
27	827419008	HEXAGON NUT	4	M8 SWRM		
28	854255008	SEAL WASHER	4	φ 8		
29	0115115	LONG BOLT	4	M8X118		
30	0115185	SPANNER	1	13MM		

◆ Bare engine can not be supplied



DWG No.012900007 MODELE:STR-50EX FORM:STR-50EX-BAA-1

No.	PARTS CODE	PARTS NAME	QTY	MATERIAL/SIZE	LIST PRICE	REMARKS
31	0115230	SPANNER HOLDER	1	13MM		
	0120802	PACKING CASE	1			

◆ Bare engine can not be supplied