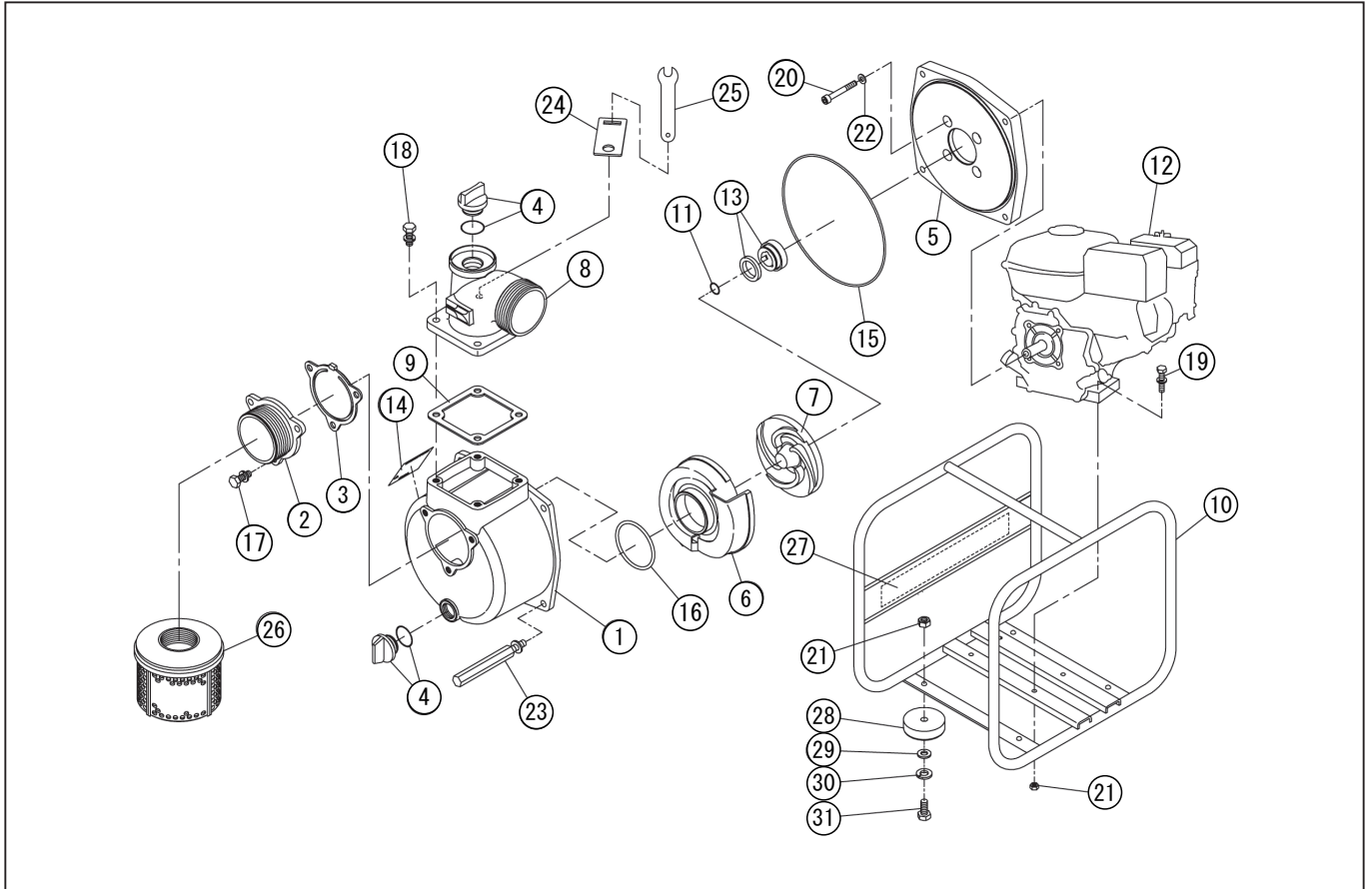


DWG No.012912703 MODELE:STV-50X FORM:STV-50X-BAB-0

No.	PARTS CODE	PARTS NAME	QTY	MATERIAL/SIZE	REMARKS
1	0120195	PUMP CASING	1	ADC	
2	0112822	SUCTION FLANGE	1	ADC	
3	0112665	CHECK VALVE	1	NBR	
4	0118078	20A PLUG SET	2		
5	0114027	FLANGE BRACKET	1	ADC	
6	0115169	VOLUTE CASING	1	FCD450	
7	0121342	IMPELLER	1	FCD450	
8	0120687	DELIVERY FLANGE	1	NPT	
9	0110541	DELIVERY FLANGE PACKING	1	CR 70 °	
10	0128377	BASE SET	1		
11	0110491	IMPELLER ADJUSTING WASHER	3	BSP	
12	0121283	ENGINE (WITH ALERT)	1	KOSHIN K180-3	
13	0115159	MECHANICAL SEAL	1	HJ-20(B)BSIC	
14	0121461	NAME PLATE	1		
15	0115014	O-RING	1	1517-42.5 NBR	
16	0112792	O-RING	1	P54 NBR	
17	743119045	HEXAGON BOLT	3	M8X20 SWRM	
18	743119047	HEXAGON BOLT	4	M8X25 SWRM	
19	743119053	HEXAGON BOLT	4	M8X40 SWRM	
20	734532076	HEXAGON SOCKET BOLT	4	M8X60 SCM CS	
21	827419008	HEXAGON NUT	8	M8 SWRM	
22	854255008	SEAL WASHER	4	φ8	
23	0115115	LONG BOLT	4	M8X118	
24	0115230	SPANNER HOLDER	1	13MM	
25	0115185	SPANNER	1	13MM	
26	0111893	STRAINER	1	SPC	
27	0120428	SIDE PANEL LABEL	1		
28	0110515	CUSHION RUBBER	4	F-23	
29	846007008	WASHER	4	φ8	
30	843822008	SPRING WASHER	4	φ8	

◆ Bare engine can not be supplied



DWG No.012912703 MODELE:STV-50X FORM:STV-50X-BAB-0

No.	PARTS CODE	PARTS NAME	QTY	MATERIAL/SIZE	REMARKS
31	735719148	HEXAGON BOLT	4	M8X20	
	0121462	PACKING CASE	1		

◆ Bare engine can not be supplied