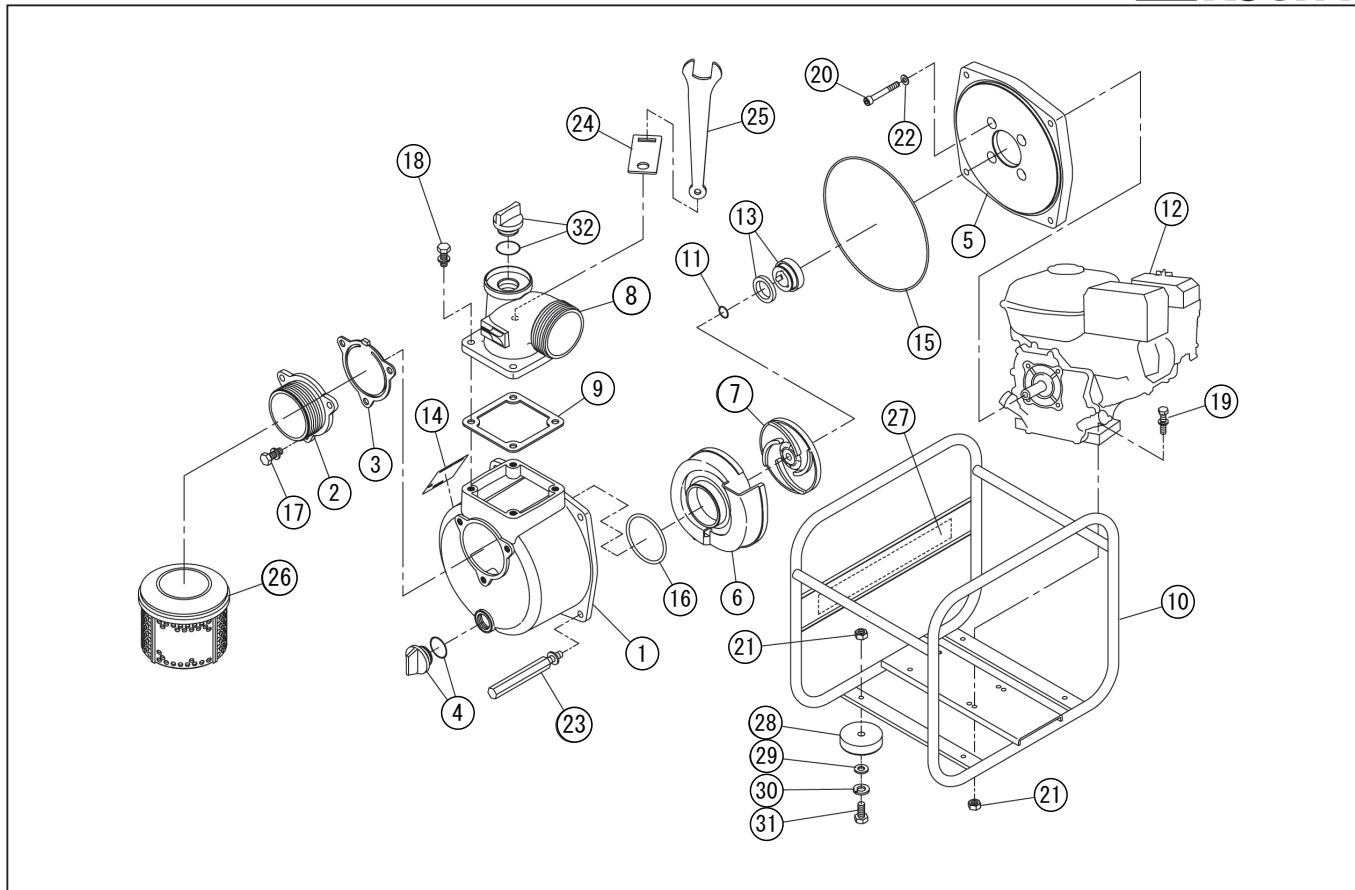


DWG No.012912802 MODELE:STV-80X FORM:STV-80X-BAB-0

No.	PARTS CODE	PARTS NAME	QTY	MATERIAL/SIZE	REMARKS
1	012019602	PUMP CASING	1	ADC	
2	011287601	SUCTION FLANGE	1	ADC	
3	011279901	CHECK VALVE	1	NBR	
4	011807802	20A PLUG SET	1		
5	012093101	FLANGE BRACKET	1	ADC	
6	011554102	VOLUTE CASING	1	FCD450	
7	011553902	IMPELLER	1	FCD450	
8	011136104	DELIVERY FLANGE	1	ADC	
9	011058402	DELIVERY FLANGE PACKING	1	CR	
10	012837901	BASE SET	1		
11	011049102	IMPELLER ADJUSTING WASHER	3	BSP	
12	012128301	ENGINE (WITH ALERT)	1	KOSHIN K180-3	
13	011515902	MECHANICAL SEAL	1	HJ-20(B)BSIC	
14	012146301	NAME PLATE	1		
15	011501501	O-RING	1	1517-46.5 NBR	
16	011398901	O-RING	1	P74 NBR	
17	743119061	HEXAGON BOLT	3	M10X25 SWRM	
18	743119063	HEXAGON BOLT	4	M10X30 SWRM	
19	743119053	HEXAGON BOLT	4	M8X40 SWRM	
20	734532075	HEXAGON SOCKET BOLT	4	M8X55 SCM CS	
21	827419008	HEXAGON NUT	8	M8 SWRM	
22	854255008	SEAL WASHER	4	φ88	
23	011554201	LONG BOLT	4	M10X160	
24	011558801	SPANNER HOLDER	1	17MM	
25	011558901	SPANNER	1	17MM	
26	011189402	STRAINER	1	SPC	
27	012042802	SIDE PANEL LABEL	1		
28	011051502	CUSHION RUBBER	4	F-23	
29	846007008	WASHER	4	φ8	
30	843822008	SPRING WASHER	4	φ8	

◆ Bare engine can not be supplied



DWG No.012912802 MODELE:STV-80X FORM:STV-80X-BAB-0

No.	PARTS CODE	PARTS NAME	QTY	MATERIAL/SIZE	REMARKS
31	735719148	HEXAGON BOLT	4	M8X20	
32	011807901	25A PLUG SET	1		
	012146401	PACKING CASE	1		

◆ Bare engine can not be supplied