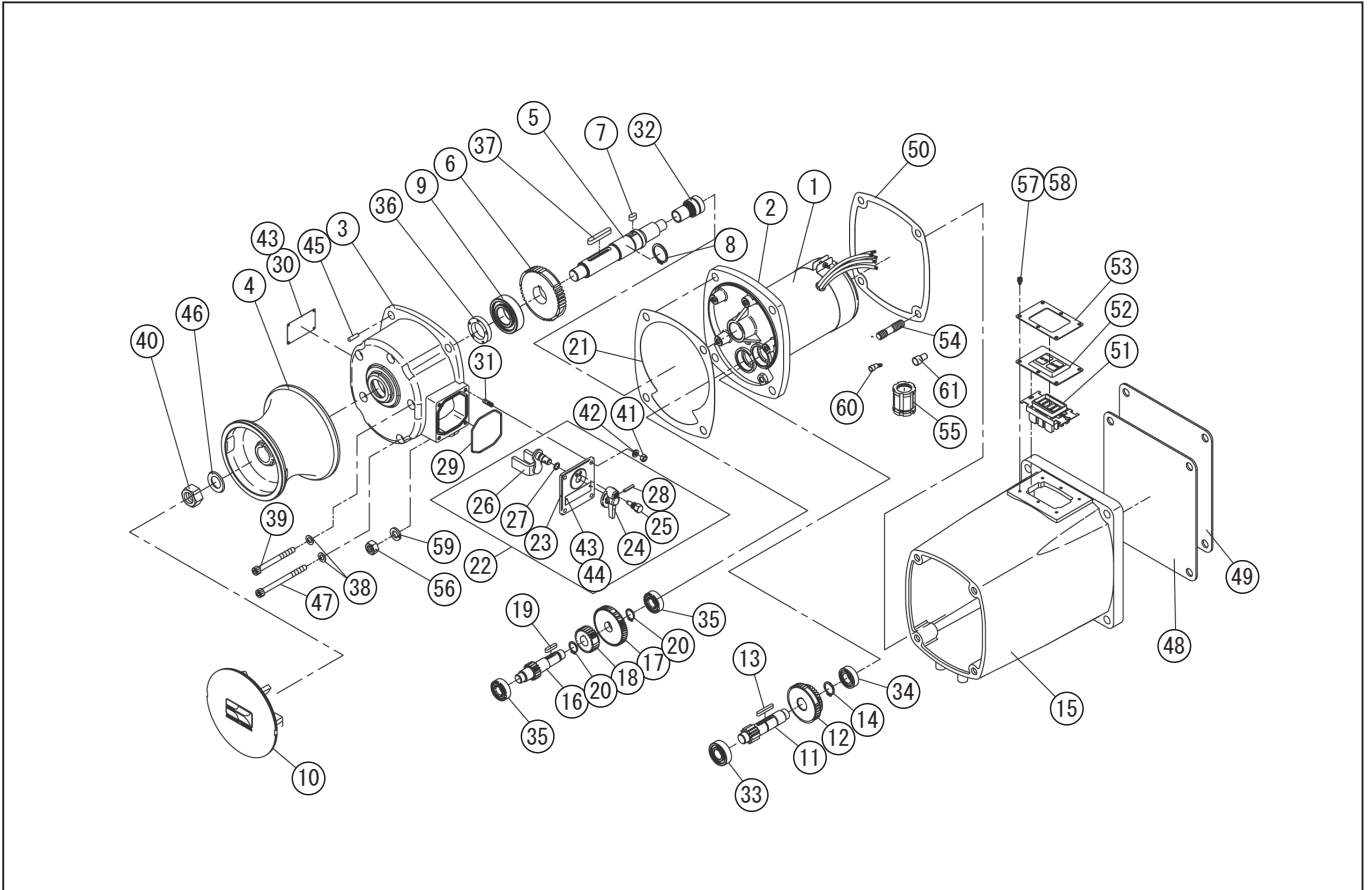


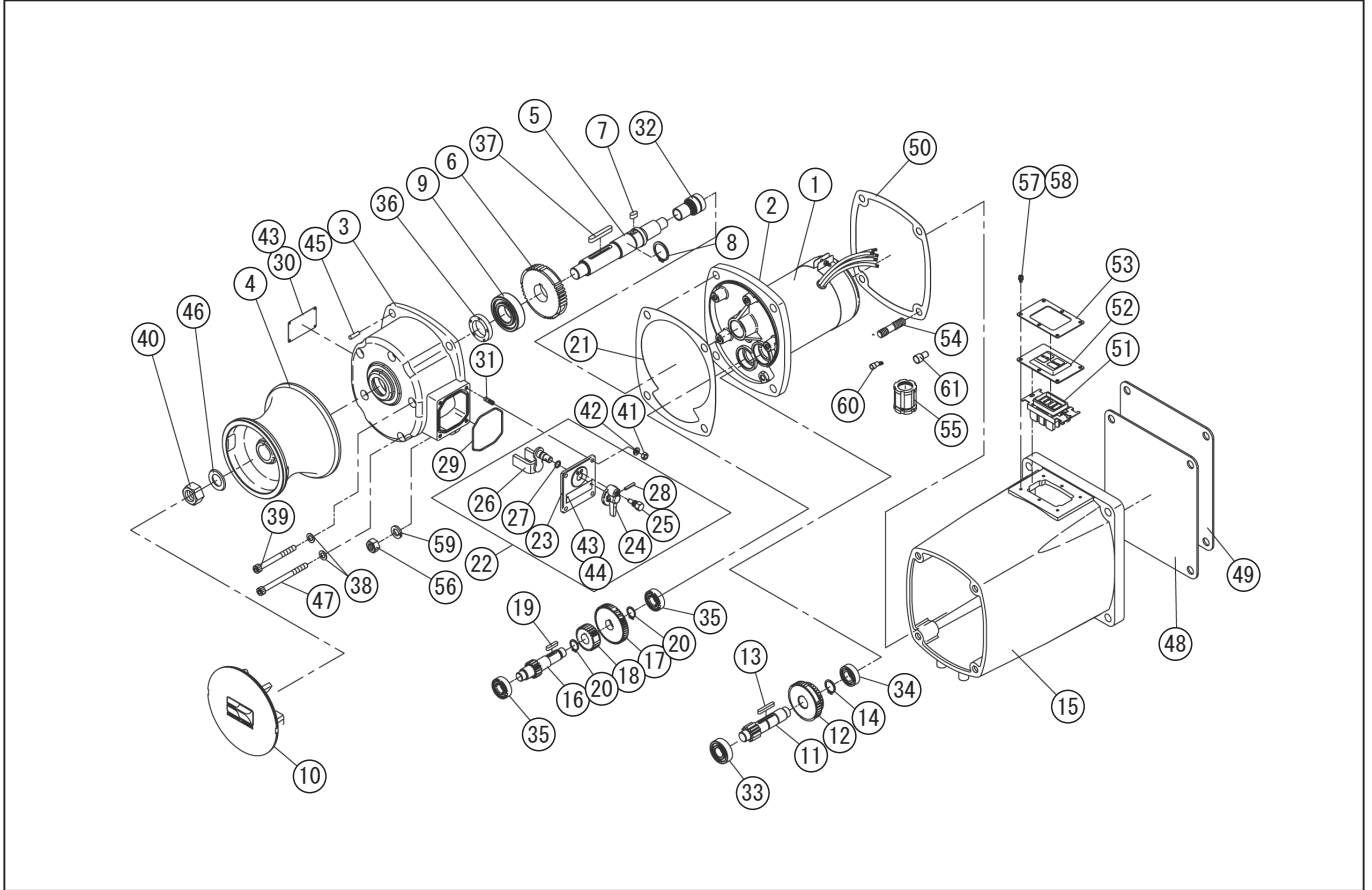
DWG No.027875803 MODELE : RES-2512 FORM : RES-2512-BAE-0

No.	PARTS CODE	PARTS NAME	QTY	MATERIAL/SIZE	REMARKS
1	0278100	MOTOR ASSY	1	250W 12V	
2	0270002	ADAPTER	1		
3	0270809	GEAR COVER	1	ADC	
4	0270043	REL-RES ROLE	1	AC7A	
5	0270010	ROLLER SHAFT	1	SUS	
6	0270009	M2-44 GEAR	1	S45C	
7	0270492	PARALLEL KEY	1	7 × 7 × 1 4	
8	888327030	C-STOP RING	1	30 SK	
9	912706018	BALL BEARING	1	6206ZZ	
10	0271146	ROLL CAP	1	EPDM	
11	0270012	M2-11 GEAR SHAF	1	SCM	
12	0270057	M1.5 CHANGE GEAR	1	S45C	
13	0270493	PARALLEL KEY	1	5 × 5 × 3 5 . 5	
14	888327020	C-STOP RING	1	2 0 SK	
15	0270073	VERTICAL TYPE BODY	1	ADC-12	
16	0270011	M1.5-17 GEAR SHAFT	1	SCM	
17	0270018	M1.25-50 GEAR	1	S45C	
18	0270019	M1.5-26 GEAR	1	S45C	
19	884209041	PARALLEL KEY	1	5 × 5 × 2 0	
20	888305017	C-STOP RING	2	1 7 SUS	
21	0270013	GEAR COVER PACKING	1	#6500	
22	0278050	CHANGE SPEED BOX ASSY	1		
23	0271098	CHANGE SPEED BOX	1	BC-6	
24	0270040	CHANGE SPEED CAP	1	BC	
25	0270051	PIN	1	BS M8	
26	0278049	GEAR CHANGE ARM ASSY	1		
27	889855009	O-RING	1	P9 NBR 70 °	
28	849805172	SPRING PIN	1	4 × 2 2 SUS	
29	0270755	O-RING	1		
30	0270074	NAME PLATE	1	SUS	



DWG No.027875803 MODELE : RES-2512 FORM : RES-2512-BAE-0

No.	PARTS CODE	PARTS NAME	QTY	MATERIAL/SIZE	REMARKS
31	0270047	RESET BOLT	4	M6X12 SUS	
32	927600018	NEEDLE BEARING	1	NKI 17/20	
33	912706013	BALL BEARING	1	6203ZZ	
34	911806013	BALL BEARING	1	6003ZZ	
35	912706012	BALL BEARING	2	6202ZZ	
36	893755194	OIL SEAL	1	TC30.45.8 NBR	
37	884205076	PARALLEL KEY	1	7X7X50	
38	854255008	SEAL WASHER	5	φ 8	
39	734505081	SOCKET BOLT	4	M8X85 SUS CS	
40	827405020	NUT	1	M20 SUS	
41	827405006	NUT	4	M6SUS	
42	843805006	WASHER	4	φ 6 SUS	
43	854505006	PARKER RIVET	6	No. 2X3 SUS	
44	0270056	50, 100 CHANGE SPEED PLATE	1	SUS	
45	847905077	TAPER PIN	1	5X20 SUS	
46	844405020	WASHER	1	φ 20 SUS	
47	734505084	SOCKET BOLT	1	M8 × 100SUS CS	
48	0270520	CASE PACKING(UNDER)	1	CR70 T=3	
49	0270907	WATER PROOF PLATE	1	SPCC T3.2	
50	0270118	FOOT COVER PACKING	1		
51	0270872	SWITCH	1	BEH-215293	
52	0271147	SWITCH RUBBER	1	EPDM	
53	0271148	SWITCH RUBBER PLATE	1	SUS T=2.0	
54	0270765	RESET BOLT	4	M12X39 SUS	
55	0270465	JOINT FOR SHIP WIRES	1		
56	827405012	NUT	4	M12SUS	
57	754905002	HEXAGON BOLT	6	M4 × 10 SUS	
58	854305004	SEAL WASHER	6	φ 4 SUS	
59	843805012	WASHER	4	φ 12 SUS	
60	944600102	SOLDERLESS TERMINAL	5	TMEV5.5-4N	



DWG No.027875803 MODELE : RES-2512 FORM : RES-2512-BAE-0

No.	PARTS CODE	PARTS NAME	QTY	MATERIAL/SIZE	REMARKS
61	944500008	INSULATING SOLDERLESS CONNECTOR	1	CE-8	

◆ Bare engine can not be supplied